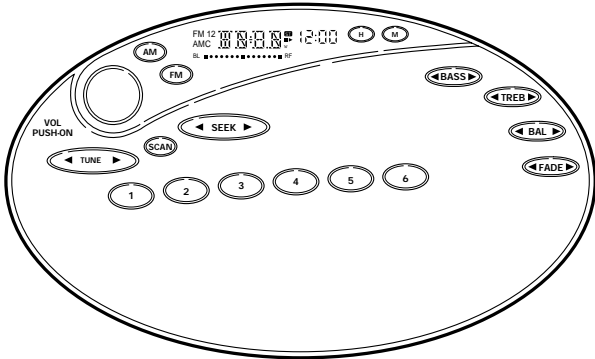


Table of contents

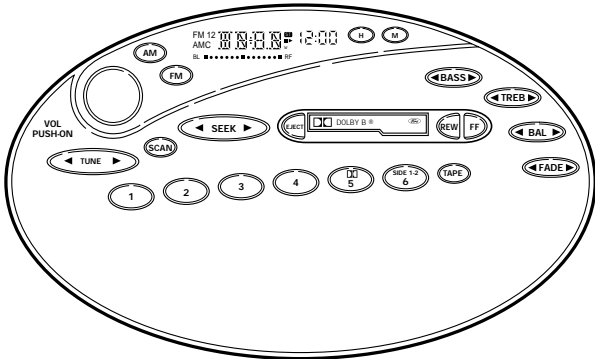
Audio systems	2
Controls and features	6
Display	17
Care and cleaning	18
Radio frequency information	19
Warranties and service	21
Index	22

Audio systems

Stereo radio

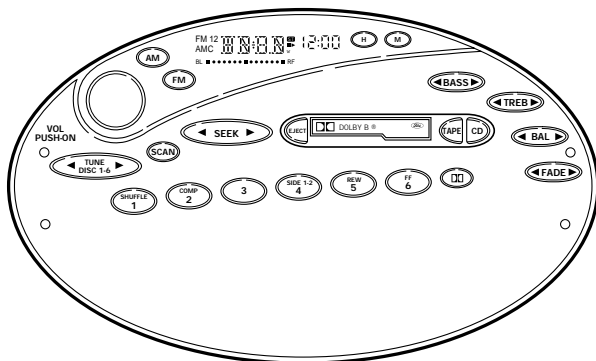


Stereo radio with cassette



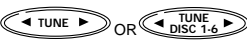









Audio systems

















Stereo cassette with CD-DJ



Audio systems

Audio System Feature	Name	Audio System		
		Stereo Radio	Stereo Radio with Cassette	Stereo Radio with CD-DJ
	Volume/ Power Control	✓	✓	✓
	AM/FM Select	✓	✓	✓
	Tune Adjust	✓	✓	✓
	Seek Function	✓	✓	✓
	Scan Function	✓	✓	✓
	Radio Station Memory Preset	✓	✓	✓
	Bass Adjust	✓	✓	✓
	Treble Adjust	✓	✓	✓
	Speaker Balance Adjust	✓	✓	✓
	Speaker Fade Adjust	✓	✓	✓

Audio systems

Audio System Feature	Name	Audio System		
		Stereo Radio	Stereo Radio with Cassette	Stereo Radio with CD-DJ
 	Tape Play Select		✓	✓
	CD Play Select		✓	✓
 	Rewind Function		✓	✓
 	Fast Forward Function		✓	✓
 	Tape Direction Select		✓	✓
	Tape Eject		✓	✓
 	Dolby Noise Reduction		✓	✓
	Compression Adjust			✓
	Shuffle Feature			✓
 	Clock	✓	✓	✓

Controls and features

USING YOUR AUDIO SYSTEM

If your vehicle is equipped with the MACH audio system, it will have an upgraded amplifier, subwoofer and speaker system.

Power antenna (if equipped)

The power antenna will automatically rise when your radio is turned on and the ignition is in the ON or ACC position. It will lower when either the radio or ignition is turned off.

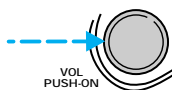
Power antenna maintenance and care

- Never drive your vehicle through a car wash with the power antenna mast extended. This can cause damage to the antenna mast, which is not covered under warranty. Turn off your radio and/or the vehicle. This will automatically retract the antenna.
- If your power antenna ever becomes damaged, the mast may not extend or retract properly which might limit reception performance. In this case, it is not necessary to replace the entire power antenna assembly. A replacement mast can be obtained from your dealership for a nominal fee.
- Occasionally, the power antenna mast should be wiped clean with mild soap and water or denatured alcohol. This prevents debris from accumulating on the mast which can cause excessive wear and decrease the power antenna life. Never use petroleum-based products to clean your antenna mast.

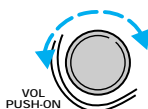
Controls and features

Volume/power control

Press the control to turn the audio system on or off.



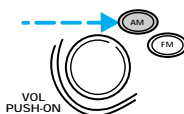
Turn control to raise or lower the volume.



If the volume is set above a certain level and the ignition is turned off, the volume will always come back to “nominal” listening level when the ignition is turned back on. However, if the radio power is turned off with the “VOL PUSH ON” button, the volume will not change and will remain at the level set when the radio is turned back on.

AM/FM select

The AM/FM select control works in radio, tape and CD modes (if equipped).



Controls and features

AM/FM select in radio mode

This control allows you to select AM or FM frequency bands. Press the control to switch between AM, FM1 or FM2 memory preset stations.



AM/FM select in tape mode

Press this control to stop tape play and begin radio play.

AM/FM select in CD mode

Press this control to stop CD play and begin radio play.

You can switch from CD play to tape play by simply inserting a tape into the cassette deck.

Tune adjust

The tune button works in radio or CD mode (if equipped).



Tune adjust in radio mode

- Press the ◀ to move to the next frequency down the band (whether or not a listenable station is located there). Hold the control to move through the frequencies quickly.
- Press the right side of the control to move to the next frequency up the band (whether or not a listenable station is located there). Hold for quick movement.



Controls and features

Tune adjust for CD mode

- Press the ◀ to select the previous disc in the CD changer. (Play will begin on the first track of the disc unless the CD changer is in shuffle mode. Refer to *Shuffle feature* for more information. Hold the control to continue reversing through the disc.
- Press ▶ to select the next disc in the CD changer. Hold the control to fast-forward through the remaining discs.



Seek function

The seek function control works in radio, tape or CD mode (if equipped).

Seek function in radio mode

- Press ◀ to find the next listenable station down the frequency band.



- Press ▶ to find the next listenable station up the frequency band.

Seek function in tape mode

- Press ◀ to listen to the previous selection on the tape.
- Press ▶ to listen to the next selection on the tape.

Seek function in CD mode

Press ▶ to seek forward to the next track of the current disc. After the last track has been

Controls and features

completed, the CD player automatically wraps back to the first track of the current disc.

Press ◀ to seek in reverse to the previous track of the current disc. If a selection has been playing for three seconds or more and you press ◀, the CD changer will replay that selection from the beginning.

Scan function

The scan function works in radio, tape or CD mode (if equipped).



Scan function in radio mode

Press the SCAN control to hear a brief sampling of all listenable station on the frequency band. Press the control again to stop the scan mode.

Scan function in tape mode

Press the SCAN control to hear a short sampling of all selections on the tape. (The tape scans in a forward direction. At the end of the tape's first side, direction automatically reverses to the opposite side of the tape.) To stop on a particular selection, press the control again.

Scan function in CD mode

Press the SCAN control to hear a short sampling of all selections on the current CD. (The CD scans in a forward direction, wrapping back to the first track at the end of the CD.) To stop on a particular selection, press the control again.

Radio station memory preset

The radio is equipped with six station memory preset controls. These controls can be used to select up to six preset AM stations and twelve FM stations (six in FM1 and six in FM2).

Controls and features

Setting memory preset stations

1. Select the frequency band with the AM/FM select control.

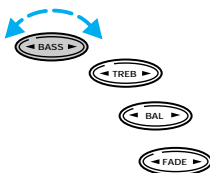


2. Select a station. Refer to *Tune adjust* or *Seek* function for more information on selecting a station.

3. Press and hold a memory preset control until the sound returns, indicating the station is held in memory on the control you selected.

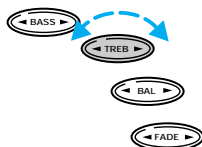
Bass adjust

The bass adjust control allows you to increase or decrease the audio system's bass output.



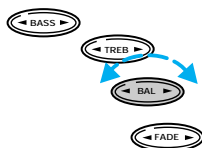
Treble adjust

The treble adjust control allows you to increase or decrease the audio system's treble output.



Speaker balance adjust

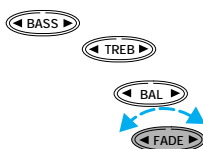
Speaker sound distribution can be adjusted between the right and left speakers.



Controls and features

Speaker fade adjust

Speaker sound distribution can be adjusted between the front and rear speakers.



Tape play select

Press the TAPE control to begin tape play (with a tape loaded in the audio system while in radio or CD mode [if equipped]).



Pressing the control during rewinding and fast-forwarding stops the rewind or fast-forward function.

CD play select

Press the CD control to begin CD play (if CDs are loaded in the CD changer). The first track of the first disc will begin playing if the magazine has just been installed. After that CD play will begin where it was stopped last.

Rewind

The rewind control (REW) works in tape and CD modes (if equipped).



Rewind function in tape mode

After pressing REW, the radio plays until rewind is stopped (with the tape control) or the beginning of the tape is reached.

Rewind function in CD mode

Pressing the REW control for less than three seconds results in slow rewind. Pressing the REW

Controls and features

control more than three seconds results in fast rewind.

Fast forward function

The fast forward control (FF) works in tape and CD modes (if equipped).

Fast forward in tape mode

After pressing FF, the radio plays until the fast forward function is stopped (with the tape play select control or the fast forward control) or the end of the tape is reached.

At the end of the first side of the tape, direction automatically reverses and the opposite side of the tape plays.

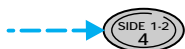
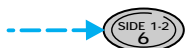
Fast forward function in the CD mode

Pressing FF for less than three seconds results in slow forward action.

Pressing FF for more than three seconds results in fast forward action.

Tape direction select

Press SIDE 1-2 to play the alternate side of a tape.



Tape eject


Press EJECT to stop and eject a tape.



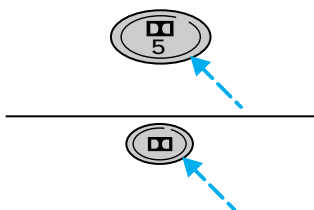
Controls and features

Dolby® noise reduction

Dolby® noise reduction operates only in tape mode. Dolby® reduces the amount of hiss and static during tape playback.

Press the  button to activate (and deactivate) Dolby® noise reduction.

The noise reduction system is manufactured under license from Dolby Laboratories Licensing Corporation.



Compression adjust (if equipped)

Compression adjust brings soft and loud CD passages together for a more consistent listening level.

Press the COMP button to activate and deactivate compression adjust.



Shuffle feature (if equipped)

The shuffle feature works while in CD play mode and allows you to listen to randomly selected tracks on the current CD.

Press the Shuffle control to listen to the tracks on the current CD in random order.

Random order play continues until the control is pressed again.



Operating the Shuffle and Scan features simultaneously

Both the Shuffle and Scan features can be activated simultaneously. In this mode, the player will randomly pick a selection and play the first eight

Controls and features

seconds. This process is continued until either the SCAN or SHUFFLE control is pressed a second time.

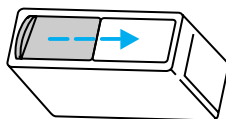
Setting the clock

To set the hour, press and hold the hour button. When the desired hour appears, release the button. To set the minutes, press and hold the minute button. When the desired minute appears, release the button.

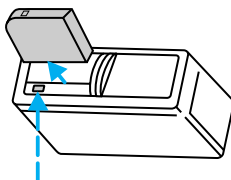
FORD CD changer (if equipped)

The CD changer is located in the left of the trunk (sedan) or the right of the cargo area (wagon).

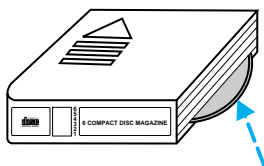
Slide the door to access the CD changer magazine.



Press ▲ to eject the magazine.

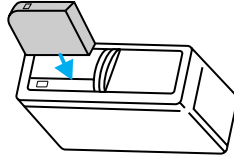


Make sure that only one disc is inserted in each slot. Each disc must be inserted with the label surface upward. You may insert up to six CDs.



Controls and features




The magazine does not need to be full for the changer to operate. Insert the loaded magazine into the changer. Make sure it is fully inserted. Slide the access door closed.



Radio power must be turned on to play the CDs in the changer. The magazine may be stored in the glove box when not being used. Slide the access door on the changer closed when not in use.

The CD magazine may be inserted or ejected with the radio power off.

Display

Display	Information
	Indicates Dolby Noise Reduction activation
	Indicates Tape play
CD-##	Indicates CD number playing (e.g., CD-01, CD-02, etc.)
TR-##	Indicates CD track number playing (e.g., TR-01, TR-02, etc.)
##-##	Indicates CD number and track number playing (e.g., 03-10 means disc 3-track 10, etc.)
NO DISC	Indicates CD changer is empty
C	Indicates CD compression factor activation
NO CD	Indicates empty slot, mechanical error, unreadable disc, focus error.
NO DJ	Indicates CD changer not connected or not communicating
AM, FM1 or FM2	Indicates which frequency band the audio system is in
87.9 to 107.9 (530 to 1610 AM)	Indicates currently playing radio station
	Indicates stereo operation
Illuminated bars	Indicates volume, relative level of bass and treble and relative levels of speaker balance and fade
TD E1	Indicates possible problem tape
TD E2	Radio cannot eject tape
TD E3	Radio cannot insert tape properly
TOO HOT	Changer's internal temperature is above 60°C (140°F)

The display screen gives information on the status of the audio system.

Care and cleaning



The laser beam used in the compact disc player is harmful to the eyes. Do not attempt to disassemble the case.

If sound skips:

- You may be traveling on a rough road, playing badly scratched discs or the disc may be dirty. Skipping will not scratch the discs or damage the player.

If changer does not work:

- A disc is already loaded where you want to insert disc.
- The disc is inserted with the label surface downward.
- The disc is dirty or defective.
- The player's internal temperature is above 60°C (140°F). Allow the player to cool down before operating.
- A disc with format and dimensions not within industry standards is inserted.

CLEANING COMPACT DISCS

Inspect all discs for contamination before playing. If necessary, clean discs only with an approved CD cleaner and wipe the center out to the edge. Do not use circular motion.

CD AND CD CHANGER CARE

- Handle discs by their edges only. Never touch the playing surface.
- Do not expose discs to direct sunlight or heat sources for extended periods of time.
- Do not insert more than one disc into each slot of the CD changer magazine.

Radio frequency information

CLEANING CASSETTE PLAYER

Clean the tape player head with a cassette cleaning cartridge after ten to twelve hours of play to maintain the best sound and operation.

CASSETTE AND CASSETTE PLAYER CARE

- Use only cassettes that are 90 minutes long or less.
- Do not expose tapes to direct sunlight, high humidity, extreme heat or extreme cold. Allow tapes that may have been exposed to extreme temperatures to reach a moderate temperature before playing.
- Tighten very loose tapes by inserting a finger or pencil into the hole and turning the hub.
- Remove loose labels before inserting tapes.
- Do not leave tapes in the cassette player for a long time when not being played.

RADIO FREQUENCY INFORMATION

The Federal Communications Commission (FCC) and the Canadian Radio and Telecommunications Communications (CRTC) establish the frequencies AM and FM stations may use for their broadcasts. Allowable frequencies are:

AM 530, 540–1600, 1610 kHz steps

FM 87.9, 88.1–107.1, 107.9 Mhz steps

Not all frequencies are used in a given area.

RADIO RECEPTION FACTORS

Three factors can affect radio reception:

- Distance/strength. The further an FM station travels, the weaker it is. The listenable range of the average FM station is approximately 40 km (24 miles). This range can be affected by “signal

Radio frequency information

modulation.” Signal modulation is a process radio stations use to increase their strength/volume relative to other stations.

- **Terrain.** Hills, mountains and tall buildings between your vehicle’s antenna and the radio station signal can cause FM reception problems. Static can be caused on AM stations by power lines, electric fences, traffic lights, driving under bridges and thunderstorms. Moving away from an interfering structure (out of its “shadow”) returns your reception to normal.
- **Station overload.** Weak stations are sometimes captured by stronger stations when you pass a broadcast tower. A stronger station may temporarily overtake a weaker station and play while the weak station frequency is displayed.

The audio system automatically switches to single channel reception if it will improve the reception of a station normally received in stereo.

Warranties and service

WARRANTIES AND SERVICE

Refer to the “Warranty Guide” for audio system warranty information.

If service is necessary, see your dealer or a qualified technician.

Index

- AM/FM select 7
- Antenna, radio (see Electronic sound system) 6
- Bass adjust 11
- CD select 12
- Clock
 - setting the clock 15
- Compact disc changer care 18
- Compression adjust .. 14
- Dolby®
 - noise reduction 14
- Fast forward function 13
- Power button 7
- Radio frequency
 - information 19
 - reception 19
- Scan function 10
- Seek function 9
- Shuffle mode 14
- Speaker balance
 - adjust 11
- Stations
 - selecting 10
- Tape direction
 - select 13
- Tape select 12
- Treble adjust 11
- Tune adjust 8
- Warranties
 - radio 21