

A Word to Mazda Owners

Thank you for choosing a Mazda. We at Mazda design and build vehicles with complete customer satisfaction in mind.

To help ensure enjoyable and trouble-free operation of your Mazda, read this manual carefully and follow its recommendations.

An Authorized Mazda Dealer knows your vehicle best. So when maintenance or service is necessary, that's the place to go.

Our nationwide network of Mazda professionals is dedicated to providing you with the best possible service.

We assure you that all of us at Mazda have an ongoing interest in your motoring pleasure and in your full satisfaction with your Mazda product.

Mazda Motor Corporation
HIROSHIMA, JAPAN

Important Notes About This Manual

Keep this manual in the glove box as a handy reference for the safe and enjoyable use of your Mazda. Should you resell the vehicle, leave this manual with it for the next owner.

Please be aware that this manual applies to all models, equipment and options. As a result, you may find some explanations for equipment not installed on your vehicle.

All specifications and descriptions are accurate at the time of printing. Because improvement is a constant goal at Mazda, we reserve the right to make changes in specifications at any time without notice and without obligation.

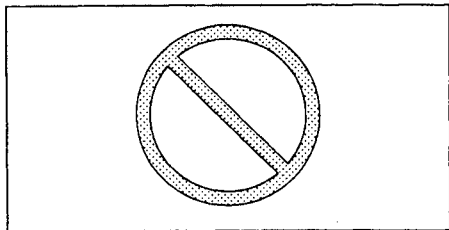
Air Conditioning and the Environment

Your Mazda's genuine air conditioner is filled with R134a, a refrigerant that has been found not to damage the earth's ozone layer. If the air conditioner does not operate properly, consult an Authorized Mazda Dealer.

How to Use This Manual

We want to help you get the most driving pleasure from your vehicle. Your owner's manual, when read from cover to cover, can do that in many ways.

Illustrations complement the words of the manual to best explain how to enjoy your Mazda. By reading your manual, you can find out about the features, important safety information, and driving under various road conditions.



The above symbol in this manual means "Do not do this" or "Do not let this happen".

Index: A good place to start is the Index, an alphabetical listing of all information in your manual.

Sections: This manual has eleven sections. Sections 1 through 10 begin with a brief list of contents, so you can usually tell at a glance if that section has the information you want.

You'll find several WARNINGS, CAUTIONS, and NOTES in the manual.

WARNING

A WARNING indicates a situation in which serious injury or death could result if the warning is ignored.

CAUTION

A CAUTION indicates a situation in which bodily injury or damage to your vehicle, or both, could result if the caution is ignored.

NOTE

A NOTE provides information and sometimes suggests how to make better use of your vehicle.

How to Use This Manual

Graphic symbols:

Some of the following symbols are used to identify controls and displays on your vehicle.




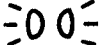








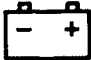















						
LIGHTS	HEADLIGHT HIGH BEAM	HEADLIGHT LOW BEAM	PARKING LIGHTS	ILLUMINATION CONTROL	TURN SIGNALS	HAZARD WARNING FLASHER
						
HOOD RELEASE	TRUNK RELEASE	FUEL	ENGINE COOLANT TEMPERATURE	ENGINE OIL	BATTERY CHARGING SYSTEM	SEAT BELTS
						
BRAKE SYSTEM	VENTILATION FAN	AIR RECIRCULATION	FRESH AIR	VENT	VENT-FLOOR	FLOOR
						
FLOOR DEFROSTING	DEFROSTING	REAR WINDOW DEFROSTER	WINDSHIELD WIPER & WASHER	LIGHTER	HORN	CHECK ENGINE LIGHT

Table of Contents

Your Vehicle at a Glance	1
Essential Safety Equipment	2
Knowing Your Mazda	3
Protecting Your Mazda	4
Driving Your Mazda	5
In Case of an Emergency	6
Appearance Care	7
Maintenance	8
Customer Information Including Information on How to Report Safety Defects (page 9-10)	9
Specifications	10
Index	11

1

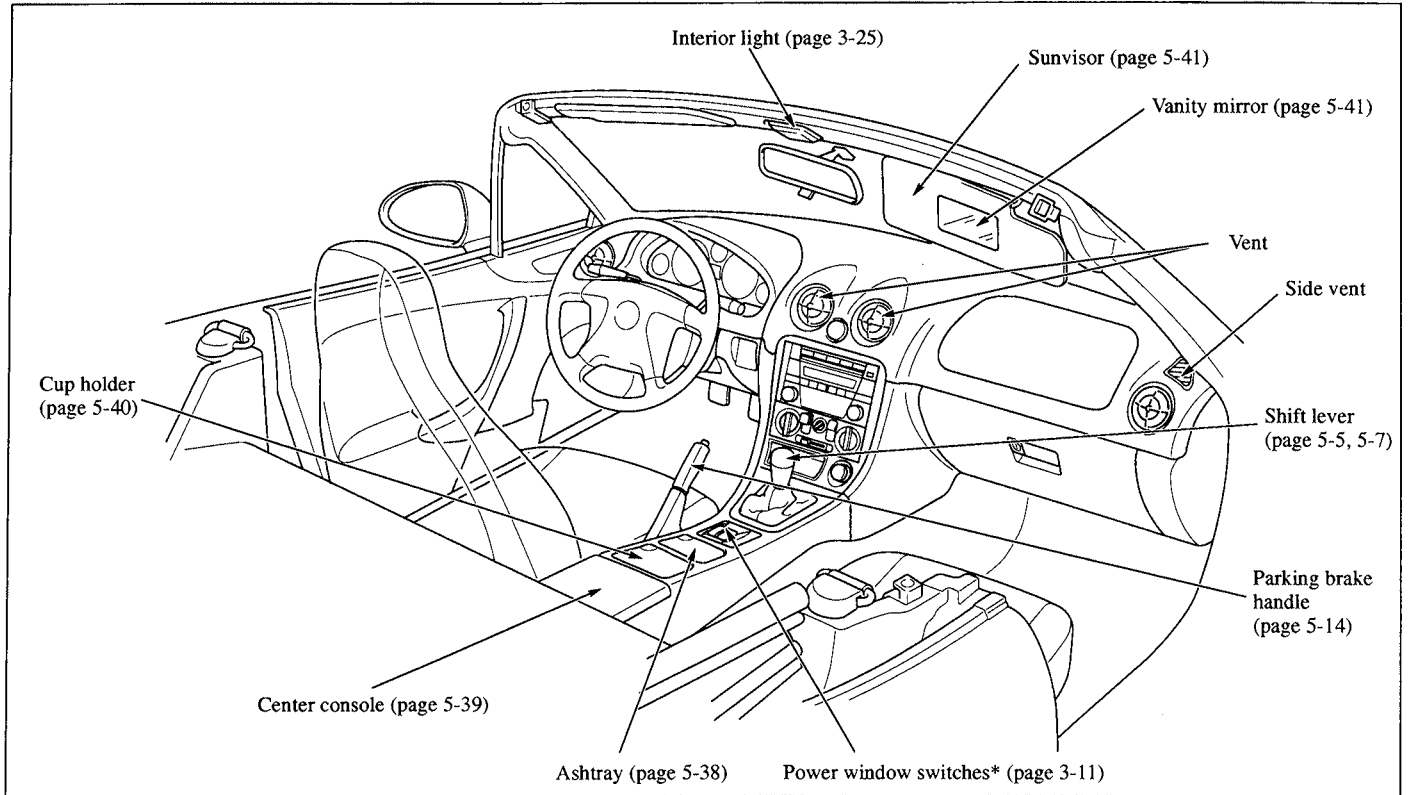
Your Vehicle at a Glance

Your Mazda is a complex vehicle, but the design throughout considers your safety and comfort paramount. This requires many controls, locks, graphic symbols, mechanisms and amenities that need to be understood for proper operation.

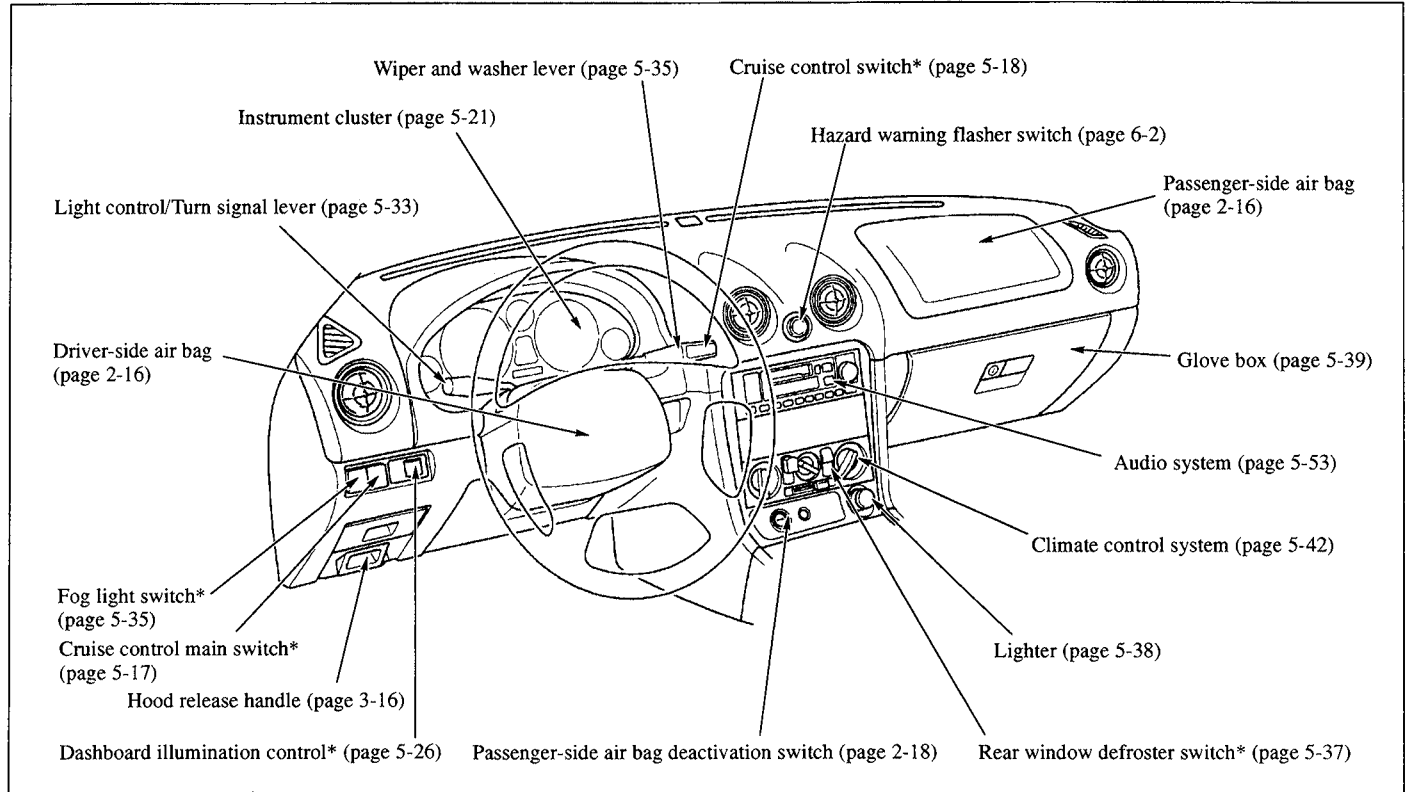
Section 1 illustrates this information to familiarize you with what needs to be known to help make your motoring safer and easier, and lots more fun.

Interior Overview	1- 2
Dashboard Overview	1- 3
Doors	1- 4
Luggage Compartment	1- 5

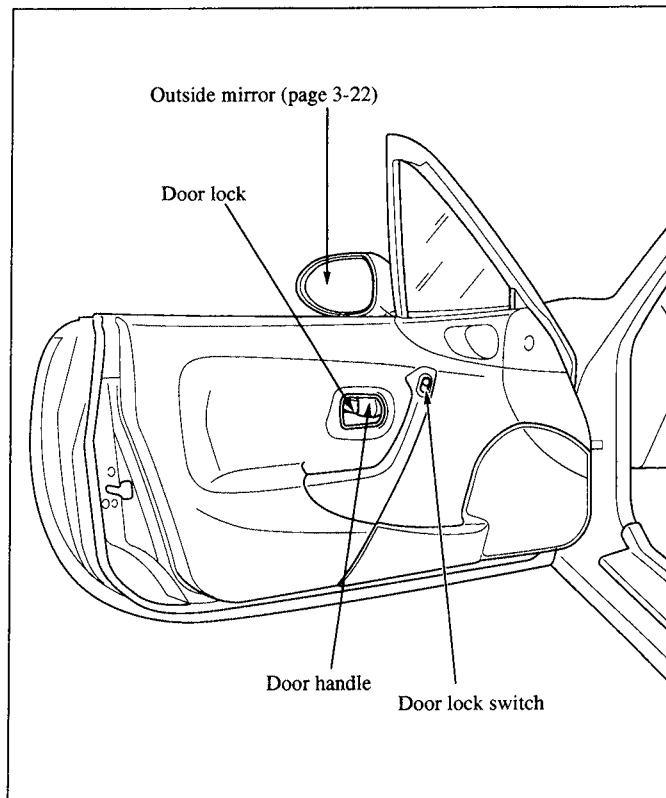
Interior Overview



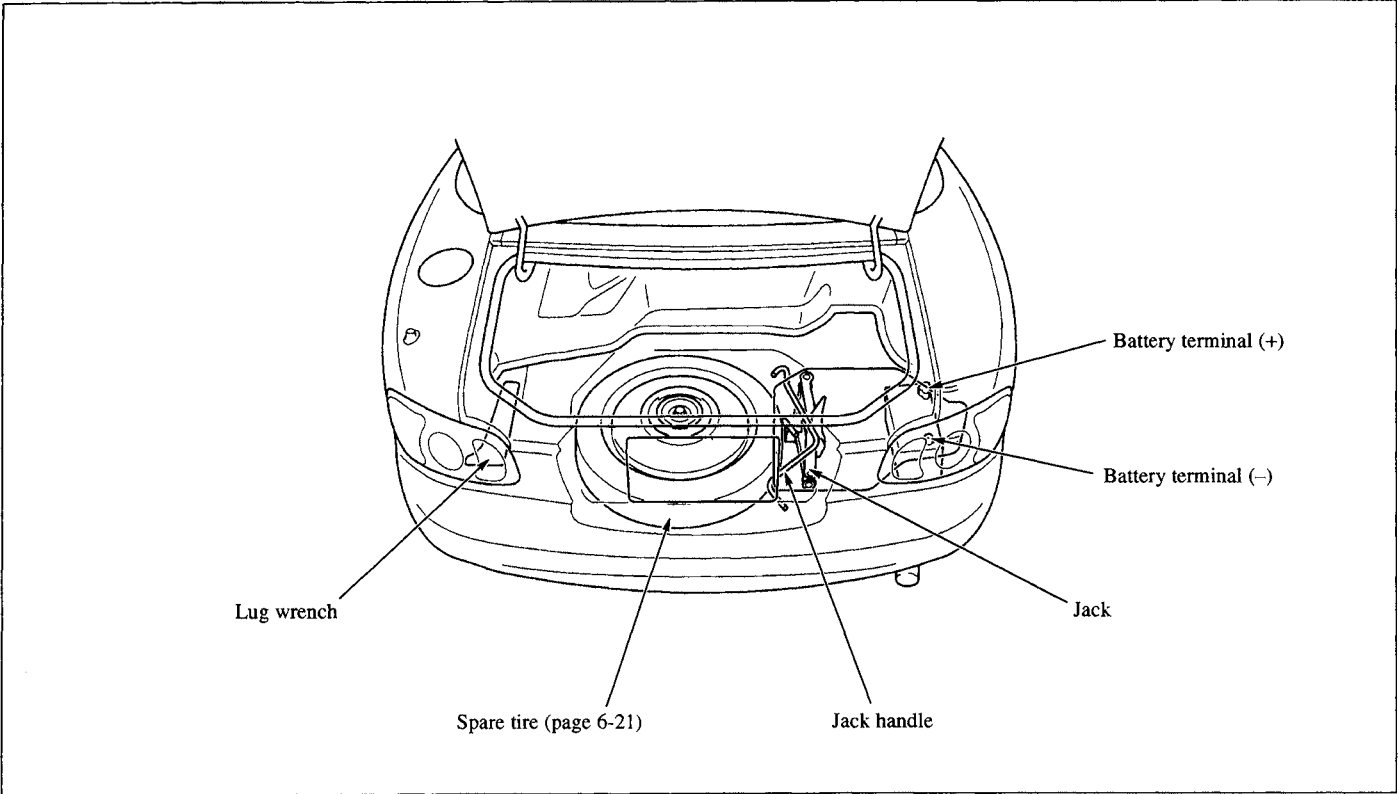
Dashboard Overview



Doors



Luggage Compartment



2

Essential Safety Equipment

Personal safety and comfort are what make driving your Mazda a pleasurable experience. Section 2 describes essential information for optimal safe driving including seats, seat belt systems and the supplemental restraint systems.

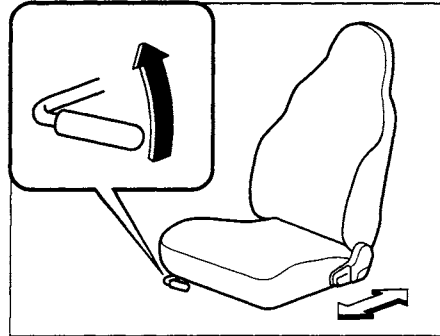
Seats	2- 2
Seat Belt System	2- 3
Child Restraint	2-11
Supplemental Restraint System	2-16

Seats

⚠ WARNING

Securing the Seats:

Adjustable seats and seatbacks that are not securely latched are dangerous. In a sudden stop or collision, the seat or seatback could move, causing injury. Make sure the adjustable components of the seat are locked in place by attempting to slide the seat forward and backward and rocking the seatback.



■ Seat Slide

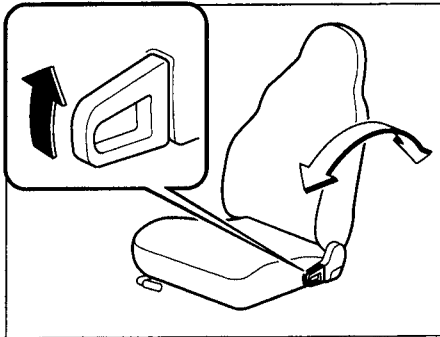
To move a seat forward or backward, raise the lever and slide the seat to the desired position.

⚠ WARNING

Driver's Seat Adjustment:

Adjusting the driver's seat while the vehicle is moving is dangerous. The driver could lose control of the vehicle and have an accident. Adjust the driver's seat only when the vehicle is stopped.

Seat Belt System



■ Seat Recline

To change the seatback angle, lean forward slightly while raising the lever. Then lean back to the desired position and release the lever.

Make sure the lever returns to its original position and the seatback is locked in place by attempting to push it forward and backward.

⚠ WARNING

Reclining:
Sitting in a reclined position while the vehicle is moving is dangerous because you don't get the full protection from seat belts. During sudden braking or a collision, you can slide under the lap belt and suffer serious internal injuries. For maximum protection, sit well back and upright.

⚠ CAUTION

When returning a rear-reclined seatback to its upright position, make sure you support the seatback while operating the seatback lever. If the seatback is not supported, it will flip forward suddenly and could cause injury.

Seat belts help to decrease the possibility of severe injury during accidents and sudden stops. Mazda recommends that the driver and all passengers always wear seat belts.

The passenger's seat belt retractor is designed to keep the lap/shoulder belt out of the way when not in use.

The driver's seat belt has no provisions for child-restraint systems and has only an emergency locking mode. The driver may wear it comfortably, and it will lock during a collision.

However, the passenger's seat lap/shoulder belt retractor operates in two modes, emergency locking mode and for child-restraint systems, automatic locking mode.

Emergency locking mode

If the belt has fully retracted, it will always be in the emergency locking mode until you move it into automatic mode by pulling the belt all the way out to its full length. In the emergency locking mode, the belt remains comfortable on the occupant and the retractor will lock in position during a collision.

If the belt feels tight and hinders comfortable movement while the vehicle is stopped or in motion, you may be in the automatic locking mode because you have pulled the belt too far out. To return to the more comfortable emergency locking mode, wait until you can stop the vehicle in a safe area, retract the belt fully to convert it back to emergency locking mode and then again extend it around you.

Automatic locking mode

Always use the automatic locking mode to keep the child-restraint system from shifting to an unsafe position in the event of an accident. To get the seat belt into the automatic locking mode, pull it all the way out and connect it as instructed on the child-restraint system. It will retract down to the child-restraint system and stay locked on it. See the section on child restraint (page 2-11).

WARNING

Not Wearing Seat Belts:

Not wearing a seat belt is extremely dangerous. During a collision, occupants not wearing seat belts could hit someone or things inside the vehicle or even be thrown out of the vehicle. They could be seriously injured or even killed. In the same collision, occupants wearing seat belts would be much safer. Always wear your seat belt and make sure all occupants are properly restrained.

WARNING

Seat Belt Damaged During an Accident:

Using a damaged seat belt is dangerous. An accident could damage the belt webbing in use. The retractors and anchors could also be bent or broken. A damaged seat belt cannot provide adequate protection in a collision. Have an Authorized Mazda Dealer inspect all seat belt systems in use during an accident before they are used again.

WARNING

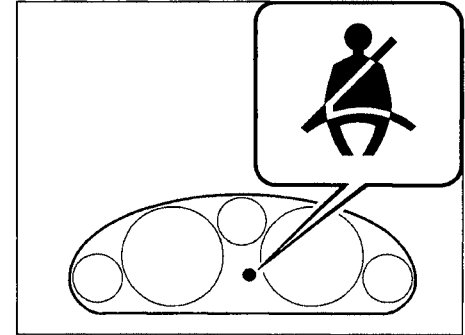
Twisted Seat Belts:

Twisted seat belts are dangerous. In a collision, the full width of the belt isn't available to absorb the impact. This puts more force on the bones beneath the belt, which could break them or cause other serious injury or death. Don't wear twisted seat belts.

WARNING

One Belt, One Passenger:

Using one seat belt for more than one person at a time is dangerous. A seat belt used in this way can't spread the impact forces properly and the two passengers could be crushed together and seriously injured or even killed. Never use one belt for more than one person at a time.



■ Seat Belt Warning Light/Beep

If the driver's seat belt is not fastened when the ignition switch is turned to the ON position, a beep will sound for about 6 seconds and the seat belt warning light will remain on until the belt is fastened.

If the system does not operate correctly, consult an Authorized Mazda Dealer.

■ Seat Belt Pretensioner and Load Limiting Systems

For optimum protection, the seat belts are equipped with pretensioner and load limiting systems.

In moderate or greater frontal or near-frontal accidents, the air bag and pretensioner systems deploy simultaneously. The pretensioners take up slack in the seat belts as the air bags are expanding. The load limiting system releases belt webbing in a controlled manner to reduce belt force on the occupant's chest.

WARNING

Incorrect Positioning of the Seat Belts:

Incorrect positioning of the seat belts is dangerous. Without proper positioning (Page 2-3), the pretensioner and load limiting systems cannot provide adequate protection in an accident and this could result in serious injury. Wear seat belts only as recommended in this owner's manual.

WARNING

Modification or Testing of the Pretensioner System:

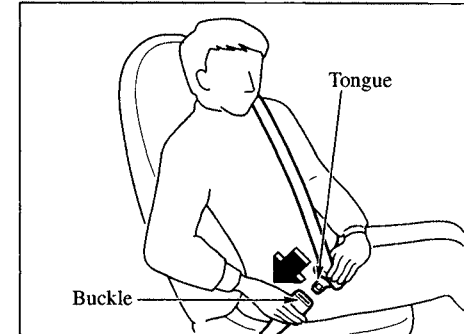
Modifying the components or wiring of the pretensioner system, including the use of electronic testing devices is dangerous. You could accidentally activate it or make it inoperable which would prevent it from activating in an accident. The occupants could be seriously injured. Never modify the components or wiring, or use electronic testing devices on the pretensioner system.

WARNING

Pretensioner System Disposal:
Improper disposal of the pretensioner system or a vehicle with non-deactivated pretensioners is dangerous. Unless all safety procedures are followed, injury could result. Ask an Authorized Mazda Dealer how to safely dispose of the pretensioner system or how to scrap a pretensioner-equipped vehicle.

NOTE

- The pretensioner system will only activate in a moderate or greater frontal or near-frontal collision. It will not activate in side or rear impacts.
- Some smoke (non-toxic gas) will be released when the air bags and pretensioners deploy. This does not indicate a fire. This gas normally has no effect on occupants, however, those with sensitive skin may experience light skin irritation. If residue from the deployment of the air bags or the pretensioner system gets on the skin or in the eyes, wash it off as soon as possible.
- The seat belt pretensioners will only function once. After they are expended, they will not work again and must be replaced immediately, even if there was no occupant seated at the time.



■ Seat Belts

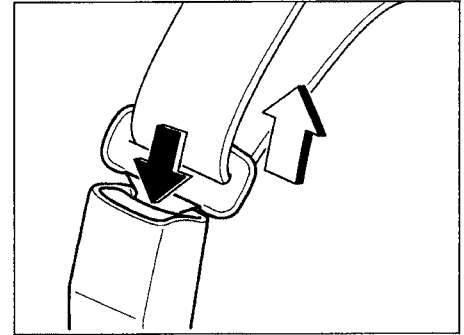
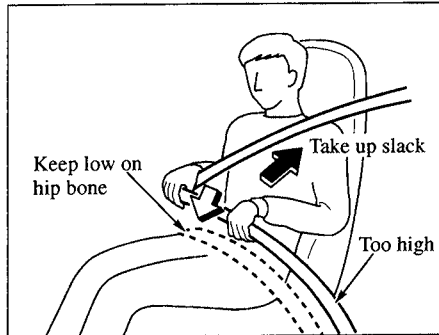
To fasten:

1. Grasp the buckle and tongue.
2. Slowly pull out the lap/shoulder belt.
3. Insert the tongue into the buckle until you hear a click.
4. Make sure the shoulder belt is snugly fitted against your body.

⚠ WARNING

Positioning the Shoulder Portion of the Seat Belt:

Improper positioning of the shoulder portion of the seat belt is dangerous. An improperly positioned belt will provide little or no protection in a collision. Always make sure the shoulder portion of the seat belt is positioned across your shoulder and near your neck, but never under your arm, on your neck, or on your upper arm.



To unfasten:

Depress the button on the buckle.

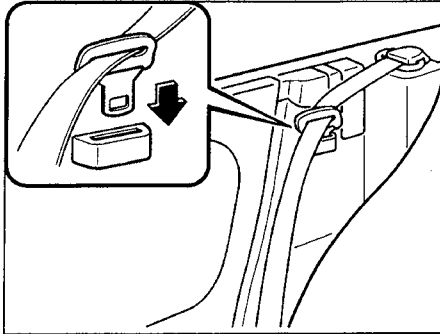
⚠ WARNING

Positioning the Lap Portion of the Seat Belt:

The lap portion of the seat belt worn too high is dangerous. In a collision, this would concentrate the impact force directly on the abdominal area, causing serious injury. Wear the lap portion of the belt snugly and as low as possible.

NOTE

If a belt does not fully retract, inspect it for kinks and twists.



To secure the passenger's seat belt when not in use, insert the seat belt tongue into the slot.

■ **Seat Belt Extender**

If your seat belt is not long enough, even when fully extended, a seat belt extender may be available to you at no charge from your Authorized Mazda Dealer. This extender will be only for you and for the particular vehicle and seat. Even if it plugs into other seat belts, it may not hold in the critical moment of a crash. When ordering an extender, only order one that provides the necessary additional length to fasten the seat belt properly. Please contact your Authorized Mazda Dealer for more information.

⚠ WARNING

Unnecessary Use of an Extender:
Using a seat belt extender when not necessary is dangerous. The seat belt will be too long and not fit properly. In an accident, the seat belt will not provide adequate protection and you could be seriously injured. Only use the extender when it is required to fasten the seat belt properly.

 **WARNING**

Using an Improper Extender:

Using a seat belt extender that is for another person or a different vehicle or seat is dangerous. The seat belt will not provide adequate protection and the user could be seriously injured in an accident. Only use the extender provided for you and for the particular vehicle and seat. NEVER use the extender in a different vehicle or seat.

 **WARNING**

Using an Extender That is Too Long:

Using an extender that is too long is dangerous. The seat belt will not fit properly. In an accident, the seat belt will not provide adequate protection and you could be seriously injured. Don't use the extender or choose one shorter in length if the distance between the extender's buckle and the center of the user's body is less than 15 cm (6 in).

■ **Pregnant Women and Persons with Serious Medical Conditions**

Pregnant women should wear seat belts. Ask your doctor for specific recommendations. The lap belt should be worn **SNUGLY AND AS LOW AS POSSIBLE OVER THE HIPS**. Persons with serious medical conditions also should wear seat belts. Check with your doctor for any special instructions regarding specific medical conditions.

Child Restraint

■ Child Restraint Precautions

WARNING

Holding a Child While the Vehicle is Moving:

Holding a child in your arms while the vehicle is moving is extremely dangerous. No matter how strong the person may be, he or she cannot hold onto a child in a sudden stop or collision and it could result in serious injury or death to the child or other occupants. Always secure a child in a proper child-restraint system.

WARNING

One Belt, One Passenger:

Using one seat belt for more than one person at a time is dangerous. A seat belt used in this way can't spread the impact forces properly and the two passengers could be crushed together and seriously injured or even killed. Never use one belt for more than one person at a time.

WARNING

Proper Size of Child-Restraint System:

For effective protection in vehicle accidents and sudden stops, a child must be properly restrained using a seat belt or child-restraint system depending on age and size. If not, the child could be seriously injured or even killed in an accident.

CAUTION

A seat belt or child-restraint system can become very hot in a closed vehicle during warm weather. To avoid burning yourself or a child, inspect either before using.

▼ Small children

You are required by law to use a child-restraint system for children in the U.S. and Canada. Small children, generally those who are four years old or younger and who weigh under 18 kg (40 lb), riding in your vehicle must be protected by child-restraint systems made especially for children. Check your local and state or provincial laws for specific requirements regarding the safety of children riding in your vehicle.

▼ Older children

A child who has outgrown child-restraint systems should use seat belts, both lap and shoulder. If the shoulder belt crosses the neck or face, move the child closer to the center.

■ Child-Restraint System

A child-restraint system for a small child or baby must itself be properly secured on the seat with the seat belt. You must carefully consult the manufacturer's instructions which accompany your child-restraint system.

To provide proper restraint, use a child-restraint system in accordance with the age and size of the child as recommended by the child-restraint system manufacturer.

WARNING

Manufacturer's Instructions for Child-Restraint System:

An unsecured child-restraint system is dangerous. In a sudden stop or a collision it could move causing serious injury or death to the child or other occupants.

Make sure the child-restraint system is properly secured in place according to the manufacturer's instructions.

 **WARNING**

Unsecured Child-Restraint System:
A child-restraint system that is not securely fastened down is dangerous. In a sudden stop or collision, it can become a projectile and hit someone, causing serious injury. When not in use, remove it from the vehicle, put it in the luggage compartment or at least secure it with a seat belt.

 **WARNING**

Child-Restraint Tether:
Using a child-restraint system that requires a tether is dangerous. Your Mazda doesn't have a child-restraint tether. The child-restraint system cannot be properly secured. In a collision, it could move and cause serious injury or even death to the child or someone else. Always use a child-restraint system designed for use without a tether.

■ **Installing a Child-Restraint System**

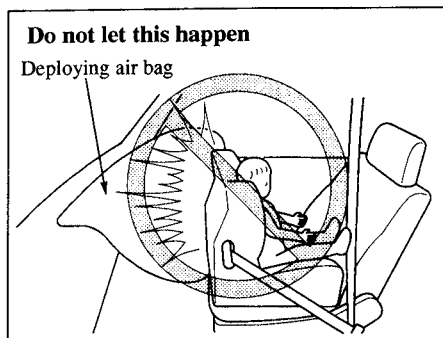
The passenger lap/shoulder belt can easily be converted into the automatic locking mode, which must be done to hold the child-restraint system.

Follow these instructions when installing a child-restraint system on the passenger's seat.

Before installing a rear-facing child-restraint system, the passenger-side air bag must be deactivated (page 2-18).

NOTE

Before installing a child-restraint system, refer to "Air Bag and Children" (page 2-17) and "Passenger-Side Air Bag Deactivation Switch" (page 2-18).

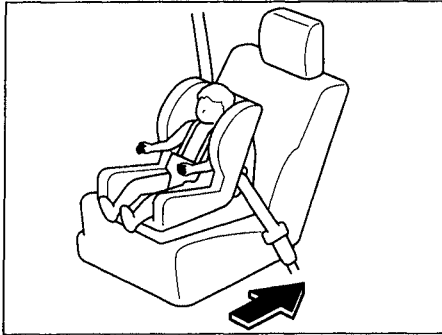


⚠ WARNING

Rear-Facing Child-Restraint System:
When a rear-facing child-restraint system is installed on the passenger's seat and the passenger-side air bag deactivation switch is not in the OFF position, it is extremely dangerous. In an accident, the air bag could inflate and cause serious injuries or even death to the child in the rear-facing child-restraint system. When using a rear-facing child-restraint system, always set the passenger-side air bag deactivation switch to OFF position.

⚠ WARNING

Manufacturer's Instructions for Child-Restraint System:
An unsecured child-restraint system is dangerous. In a sudden stop or a collision it could move causing serious injury or death to the child or other occupants. Make sure the child-restraint system is properly secured in place according to the manufacturer's instructions.



1. Slide the seat as far back as possible.

2. Secure the child-restraint system with the lap portion of the lap/shoulder belt. See the instructions on the child-restraint system for belt routing instructions.
3. To get the retractor into the automatic locking mode, pull the shoulder belt portion of the seat belt until the entire length of the belt is out of the retractor. Push the child-restraint system firmly into the vehicle seat. Be sure the belt retracts as snugly as possible. Clicking from the retractor will be heard during retraction if the system is in automatic locking mode. If the belt does not lock, repeat this step.
4. Inspect this function before each use of the child-restraint system. You should not be able to pull the shoulder belt out of the retractor while the system is in the automatic locking mode. When you remove the child-restraint system, be sure the belt fully retracts to return the system to emergency locking mode before occupants use the seat belts.

Supplemental Restraint System

- **The supplemental restraint system includes 2 air bags. They are located in the steering wheel and passenger-side dashboard:**

In a front-end or near-front end impact, the air bag supplemental restraint system is designed to provide only supplemental protection for the driver and passenger. Seat belts must still be worn.

Without seat belt usage, the air bags cannot provide adequate protection during an accident. Seat belt usage is necessary to:

- Keep the passenger away from an inflating air bag.
- Reduce the possibility of injuries during an accident that is not designed for air bag inflation, such as roll-over or rear impact.
- Reduce the possibility of injuries in frontal collisions that are not severe enough to activate an air bag.
- Reduce the possibility of being thrown from your vehicle.
- Reduce the possibility of injuries to lower body and legs during an accident because the air bags allow no protection to these parts.
- Hold the driver in a position which allows better control of the vehicle.

 **WARNING**

Air Bags without Seat Belts:
Depending only on the air bags for protection during an accident is dangerous. Alone, air bags may not prevent serious injuries. The appropriate air bags can be expected to inflate only during a frontal or near-frontal collision of at least moderate force. Vehicle occupants should always wear seat belts.

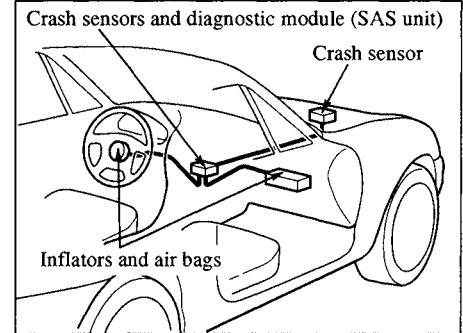
■ **Air Bag and Children**

Small children, those under 18 kg (40 lb), should be protected by a child-restraint system (page 2-11).

We have provided a deactivation switch that will disable passenger-side air bag inflation. Do not switch off the passenger-side air bag without reading the “Passenger-Side Air Bag Deactivation Switch” (page 2-18).

⚠ WARNING

Rear-Facing Child-Restraint System:
When a rear-facing child-restraint system is installed on the passenger’s seat and the passenger-side air bag deactivation switch is not in the OFF position, it is extremely dangerous. In an accident, the air bag could inflate and cause serious injuries or even death to the child in the rear-facing child-restraint system. When using a rear-facing child-restraint system, always set the passenger-side air bag deactivation switch to OFF position.



■ **System Description**

The supplemental restraint system has two basic subsystems:

- The air bag system with inflators and air bags.
- The electric system with crash sensors and diagnostic module.

The air bags are mounted in the center of the steering wheel and the passenger-side dashboard. They are out of sight until activated.

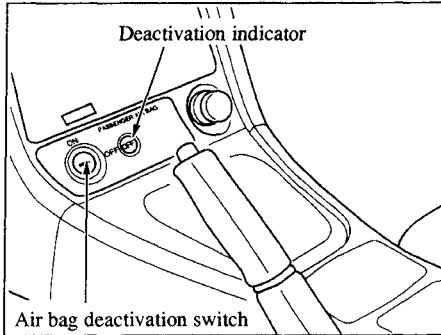
The passenger-side air bag has a passenger-side air bag deactivation switch located on the center console.

■ Passenger-Side Air Bag Deactivation Switch



Your vehicle is equipped with a passenger-side air bag deactivation switch. The switch is located in the center console. The switch must be used to deactivate the passenger-side air bag when the occupant of the passenger seat fits into one of the following categories (as described in the request form for the air bag on-off switch, the appendix B to part 595 of National Highway Traffic Safety Administration [NHTSA]):

- Infants (less than one year old; for all types of restraint, but particularly the rear-facing child restraint.)
- Children aged 1 to 12
- People with certain medical conditions which, according to his/her physician, could be adversely affected by air-bag activation

For more government release information on air bag deactivation, contact your Authorized Mazda Dealer for the occupant categories as described in the request form for the air bag deactivation switch in the NHTSA rules. The factory installed air bag deactivation switch in your car only works for the passenger-side air bag.



The air bag deactivation switch turns off the passenger-side air bag. Make sure the passenger-side air bag deactivation switch is in the ON position except when a passenger fitting the previous categories occupies the front passenger seat.

Passenger-Side Air Bag Deactivation Switch	Passenger-side Air Bag Operation	Air Bag Deactivation Indicator Light
OFF position ON  OFF	Deactivate	ON
ON position ON  OFF	Activate	OFF

⚠ WARNING

Unnecessary Deactivation of Passenger-side Air Bag:
Unnecessary deactivation of the passenger-side air bag is dangerous. If turned off unnecessarily, the passenger will not receive the added protection of the air bag. Serious injuries or even death could occur. With the exception of passengers fitting the categories described in (page 2-18), do not turn the air bag deactivation switch to the OFF position.

When the ignition switch is turned to the ON position, the passenger-side air bag deactivation indicator light comes on for about 6 seconds.

If the passenger-side air bag deactivation switch is in the OFF position, the indicator light remains on to warn that the passenger-side air bag has been deactivated.

NOTE

Have the passenger-side air bag deactivation switch inspected by an Authorized Mazda Dealer if any of these conditions occur:

- The indicator doesn't come on when the ignition switch is turned to the ON position.
- The indicator doesn't remain on when the ignition switch is in the ON position and the passenger-side air bag deactivation switch is in the OFF position.
- The indicator remains on when the ignition switch is in the ON position and the passenger-side air bag deactivation switch is in the ON position.

▼ To deactivate the passenger-side air bag

1. Insert the key into the switch.
2. Turn the key clockwise until the key points to OFF.
3. Remove the key.

⚠ WARNING

Leaving the Key in the Passenger-Side Air Bag Deactivation Switch:

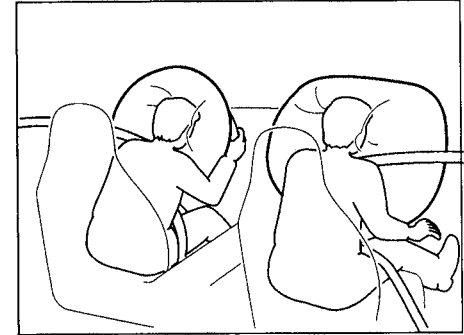
Unintentional deactivation of the passenger-side air bag is dangerous. In an accident, the passenger will not be properly protected. Serious injuries or even death could occur. To avoid unintentional deactivation, always use the same key to operate the passenger-side air bag deactivation switch and the ignition switch, that way you won't leave the key in the passenger-side air bag deactivation switch.

4. Make sure the air bag deactivation indicator light remains on when the ignition is in the ON position.

The passenger-side air bag will remain deactivated until the passenger-side air bag deactivation switch is turned to the ON position.

▼ To activate the passenger-side air bag

1. Insert the key into the switch.
2. Turn the key counterclockwise until the key points to ON.
3. Remove the key.
4. Make sure the air bag deactivation indicator light goes off after 6 seconds when the ignition switch is turned to the ON position.



■ How the Air Bags Work

When air bag crash sensors detect a frontal impact of greater than moderate force, an electrical current is sent to the inflators. Nitrogen and argon gases are produced to inflate the air bags. After the inflation, the air bags quickly deflate.

The air bags will function only once. After that, **the air bags will not work again and must be replaced.**

Only an Authorized Mazda Dealer can replace the systems.

 **WARNING**

Seating Position with Air Bags:
Sitting too close to the air bag storage compartments or placing hands or feet on them is extremely dangerous. Air bags inflate with great force and speed. Serious injuries could occur if someone is too close. The driver should always hold onto only the rim of the steering wheel. The passenger on the right should keep both feet on the floor. Seat occupants should adjust their seats as far back as possible and always sit upright against the seatbacks with seat belts worn properly.

NOTE

When an air bag deploys, a loud inflation noise can be heard and some smoke will be released. Neither is likely to cause injury.

 **WARNING**

Hot Air Bag Inflators:
Hot air bag inflators are dangerous. Immediately after inflation, the inflators in the steering wheel or the dashboard are very hot. You could get burned. Don't touch the internal components of the air bag storage areas after the bags have inflated.

 **WARNING****Modification of the Supplemental Restraint Systems:**

Modifying the components or wiring of the supplemental restraint system is dangerous. You could accidentally activate it or make it inoperable.

Don't make any modifications to the supplemental restraint system. This includes installing trim, badges, or anything else over the air bag storage areas. It also includes installing extra electric equipment on or near system components or wiring.

 **WARNING****Installation of Front-End Equipment:**

Installation of front-end equipment, such as a frontal protection bar (kangaroo bar, bull bar, push bar, etc.), snowplow, or winches, is dangerous. The air bag crash sensor system could be affected. This could cause air bags to inflate unexpectedly, or it could prevent the air bags from inflating during an accident. Front occupants could be seriously injured. Never install any front-end equipment to your vehicle.

 **WARNING****Air Bag Storage Areas:**

Attaching an object to an air bag storage area or placing something in front of it is dangerous. In an accident, the object could interfere with air bag inflation and injure the occupants.

Always keep the air bag storage areas free of objects.

 **WARNING**

Damaged Air Bag Sensors:

Driving with damaged air bag sensors is dangerous. A collision, even one not strong enough to inflate the air bags, could damage the sensors. If there was a subsequent collision, a damaged sensor would not inflate the air bags. Always have an Authorized Mazda Dealer inspect the supplemental restraint systems after a collision.

 **WARNING**

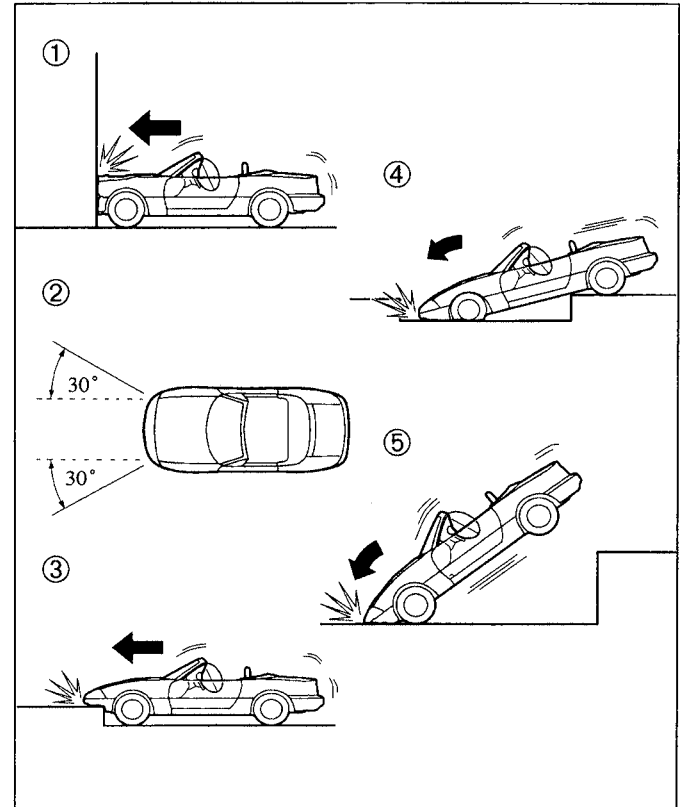
Suspension Adjustment:

Adjusting the vehicle suspension is dangerous. If the vehicle's height or the suspension's damping is changed, the vehicle will be unable to accurately detect a collision resulting in incorrect or unexpected air bag deployment and the possibility of serious injuries.

■ Air Bag Activation

A greater than moderate impact will cause the air bags to inflate in the following cases:

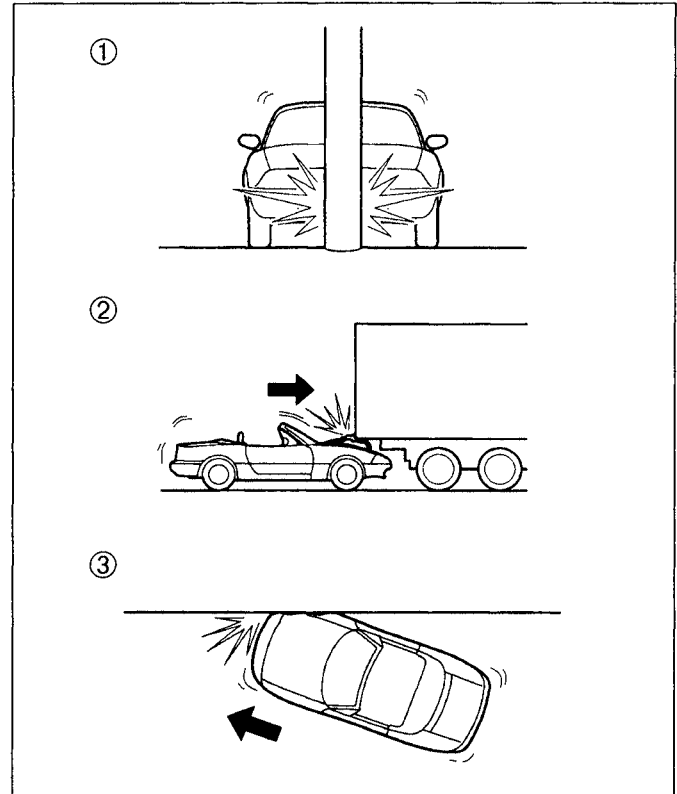
- ① Hitting a solid wall straight on at greater than about 22 km/h (14 mph).
- ② Frontal impact within about a 30 degree range from head on to the vehicle.
- ③ Hitting a curb, pavement edge or hard object.
- ④ Driving into a big hole or hitting the far side of a hole.
- ⑤ Landing hard or the vehicle falling.



■ Limitations to Air Bag Activation

Depending on the severity of impact, the air bags may not inflate in the following cases:

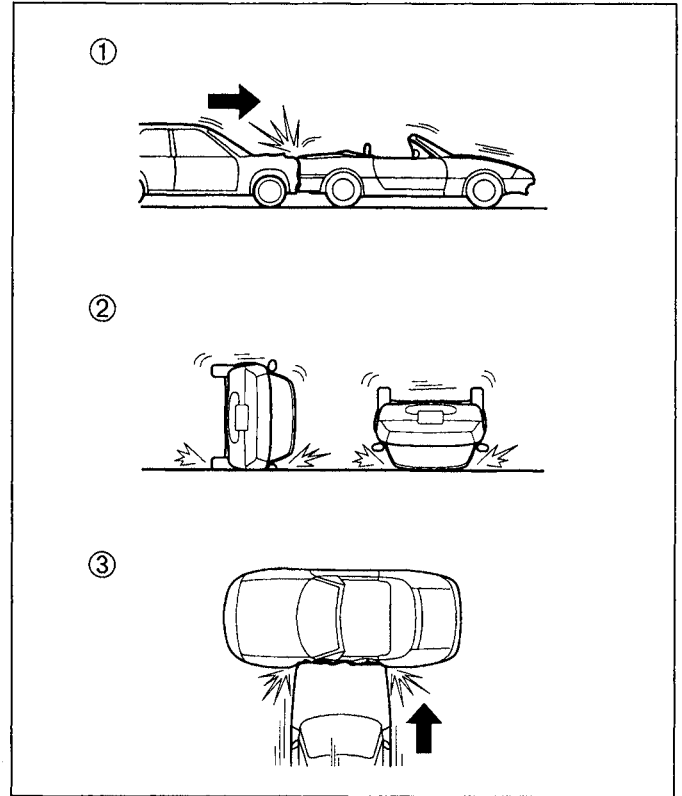
- ① Impacts involving trees or poles cause severe cosmetic damage but may not have enough impact to activate the air bag.
- ② Rear-ending or running under a truck's tail gate may not provide the stopping force necessary for air bag deployment.
- ③ Frontal offset impact to the vehicle may not provide the stopping force necessary for air bag deployment.



■ Non-Activation of Air Bags

Air bags will not normally inflate in the following cases:

- ① Collision from the rear.
- ② Vehicle roll-over.
- ③ Impact to the side.

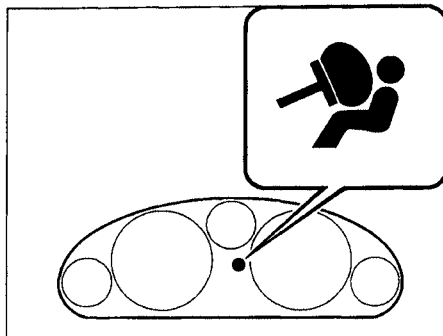


■ Constant Monitoring

The following components of the supplement restraint systems are monitored by a diagnostic system:

- SAS unit
- Crash sensor
- Air bag modules
- Seat belt pretensioners
- Related wiring
- Passenger-side air bag deactivation switch

A diagnostic module continuously monitors the systems' readiness. This begins when the ignition switch is turned to the ON position and continues while the vehicle is being driven.



▼ Supplemental restraint system warning light

If the supplemental restraint system is OK, the SRS warning light comes on when the ignition switch is turned to the ON position or after the engine is cranked. After about 6 seconds it goes out.

A system malfunction is indicated when the SRS warning light constantly flashes, stays on or doesn't come on at all. If any of these occur, consult an Authorized Mazda Dealer as soon as possible. The system may not work in an accident.

WARNING

Self-Servicing the Supplemental Restraint Systems:

Self-servicing or tampering with the supplemental restraint systems is dangerous. An air bag could accidentally activate or become disabled. This could cause serious injuries. Never tamper with the supplemental restraint systems and always have an Authorized Mazda Dealer perform all servicing and repairs.

**WARNING****Removing Vehicle Parts:**

Removing the front dashboard, steering wheel, parts containing air bag sensors, the bumper or surrounding parts is dangerous. These parts contain air bags. The air bag could accidentally activate and cause serious injuries. Always have an Authorized Mazda Dealer remove these parts.

**WARNING****Air Bag Disposal:**

Improper disposal of an air bag or a vehicle with live air bags in it can be extremely dangerous. Unless all safety procedures are followed, injury can result. Ask an Authorized Mazda Dealer how to safely dispose of an air bag or how to scrap an air bag equipped vehicle.

■ Maintenance

The supplemental restraint system is maintenance-free. But if any of the following occurs, take your vehicle to an Authorized Mazda Dealer as soon as possible:

- The supplemental restraint system warning light flashes.
- The supplemental restraint system warning light stays on.
- The supplemental restraint system warning light stays off when the ignition switch is turned to the ON position.
- The air bags inflate

NOTE

Should you sell your Mazda, we urge you to tell the new owner of its supplemental restraint systems and that familiarization with all instructions about them, from the Owner's Manual, is important.

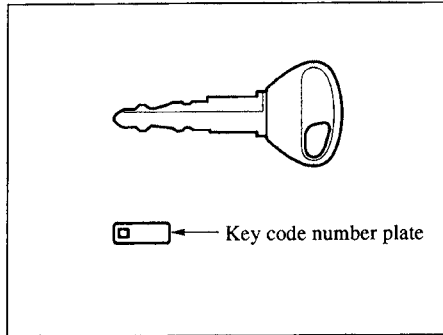
3

Knowing Your Mazda

Security takes many forms and is very important to owner and occupants. Section 3 describes the safe way to use your Mazda: keys, locks, windows and interior lighting.

Keys	3- 2
Door Locks	3- 3
Keyless Entry System	3- 6
Power Windows	3-11
Trunk Lid	3-12
Trunk Release Handle	3-14
Hood Release	3-16
Immobilizer System	3-17
Fuel-Filler Lid	3-20
Fuel-Filler Cap	3-20
Horn	3-22
Mirrors	3-22
Interior Light	3-25
Convertible Top	3-26
Detachable Hardtop	3-34

Keys



The keys operate all locks.

CAUTION

To avoid damage to the key, do not:

- Drop the key.
- Get the key wet.
- Expose the key to any kind of magnetic field.
- Expose the key to high temperatures on places such as the dashboard or hood, under direct sunlight.

CAUTION

When starting the engine, do not let the following materials touch the key grip. The engine may not start:

- Spare keys.
- Keys for other vehicles equipped with an immobilizer system.
- Metal objects that touch or pass through the hole in the key.

A code number is stamped on the plate attached to the key set; detach this plate and store it in a safe place (not in the vehicle) for use if you need to make a replacement key.

Also write down the code number and keep it in another safe and handy place, but not in the vehicle.

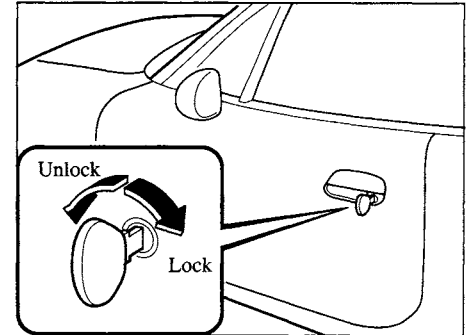
If your key is lost, consult your Authorized Mazda Dealer with the code number ready.

⚠ WARNING

Keys and Children:

Leaving children in a vehicle with the ignition key is dangerous. This could result in someone being badly injured or even killed. They could play with power windows or other controls, or even make the vehicle move. Don't leave the keys in your vehicle with children.

Door Locks

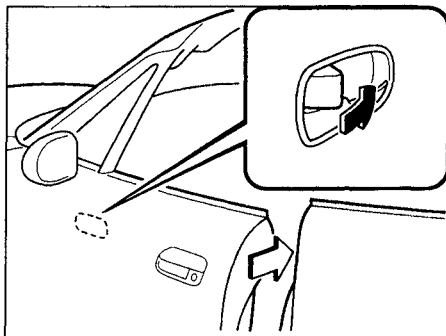


■ **Outside Door Lock**

▼ **Locking, unlocking with key**

Either door can be locked or unlocked with a key.

Turn the key toward the front to unlock, toward the back to lock.



▼ Locking without key

To lock any door without a key, push the inside lock button and close the door.

NOTE

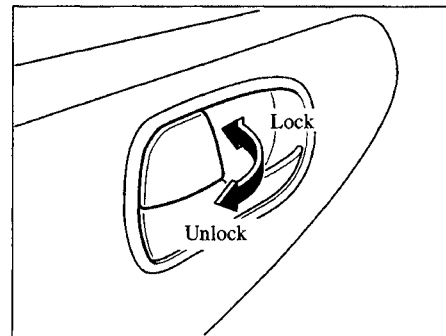
When locking the doors this way, be careful not to leave the key inside the vehicle.

⚠ WARNING

***Unattended Children and Pets:**
Leaving a child or an animal unattended in a parked vehicle is dangerous. In hot weather, temperatures inside a vehicle can become high enough to cause brain damage or even death. Always take all children and animals with you or leave a responsible person with them.*

NOTE

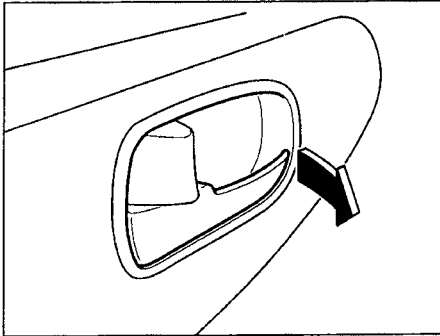
Always remove the key from the ignition switch, close all windows, and lock all doors when leaving your vehicle unattended. This discourages intruders and thieves.



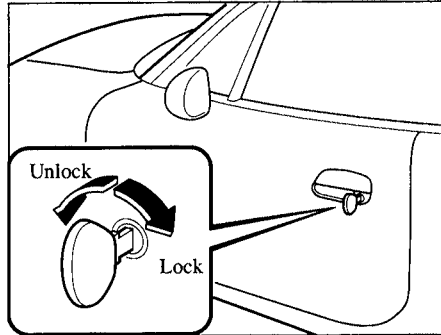
■ Inside Door Lock

To lock any door, push the door lock button into the door handle area.

To unlock, pull it out.



To open, pull the door handle.



■ Power Door Locks*

▼ Locking, unlocking with key

All doors lock automatically when any door is locked with a key. All doors unlock when the driver's door is unlocked and the key is held in the unlock position. Also, all doors unlock when the passenger's door is unlocked.

NOTE

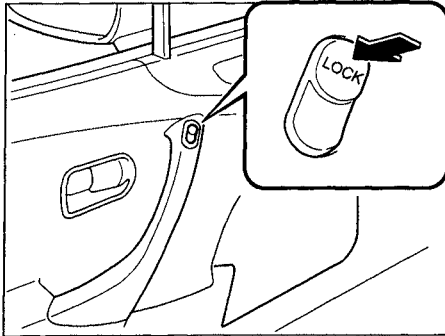
Holding the key in the unlocked position in the driver's door lock for about a second unlocks all doors. To unlock only the driver's door, insert a key into the driver's door lock and turn the key briefly to the unlock position and then immediately return it to the center position.

⚠ WARNING

Unlocked Doors:

Unlocked doors in a moving vehicle are dangerous. Passengers can fall out if a door is accidentally opened and can more easily be thrown out in an accident. So keep all doors locked when driving.

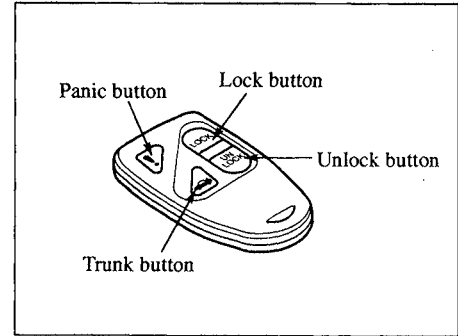
Keyless Entry System*



This system locks and unlocks the doors and opens the trunk. It can also help you signal for attention in an emergency.

⚠ CAUTION

To avoid damage to the transmitter, do not drop it, get it wet, or expose it to heat or sunlight.



▼ Locking, unlocking with door-lock switch

All doors lock automatically when LOCK is pushed. They all unlock when the unmarked part of the door-lock switch is pushed.

■ Transmitter

NOTE

- The keyless entry system is designed to operate up to about 2.5 m (8 ft) from the center of the vehicle, but this may vary because of local conditions.
- The system doesn't operate when the ignition switch is in the ON position.

NOTE

- When the LOCK button is pressed, the turn and lane-change indicators and the hazard warning flasher will flash once to indicate that the doors are locked.
- When the UNLOCK button is pressed, the hazard warning flasher will flash twice to indicate that the doors are unlocked.
- If the LOCK and UNLOCK button are pressed sequentially, the turn and lane-change indicators and the hazard warning flasher may not flash correctly.

NOTE

This device complies with part 15 of the FCC Rules and with RSS-210 of Industry Canada. Operation is subject to the following two conditions: (1) This device may not cause harmful interference, and (2) this device must accept any interference received, including interference that may cause undesired operation. (Outside transmissions may momentarily interfere with the device's operation.)

▼ **Lock button**

To lock the doors, press the LOCK button.

To confirm that all the doors have been locked, press the LOCK button again within 5 seconds. If they are closed and locked, the horn will sound.

NOTE

Confirm that the doors are locked visually or aurally by use of the double click.

▼ Unlock button


To unlock the driver's door, press the UNLOCK button.

To unlock all the doors, press the UNLOCK button again within 5 seconds.

NOTE

After unlocking with the transmitter, all doors will automatically lock if one is not opened within about 30 seconds.

▼ Trunk button

To open the trunk, press the  button.

▼ ! Panic button

You can use the ! button to turn on the alarm, which allows you to signal for attention in an emergency.

NOTE

The alarm will work whether any door is open or closed.

NOTE

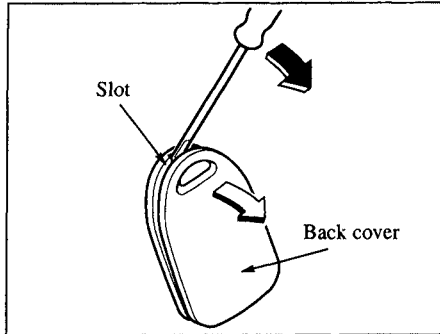
- If the transmitter does not work, open the back cover and check the battery for correct installation.
- Additional transmitters can be obtained at an Authorized Mazda Dealer. Up to 3 additional transmitters can be used with the keyless entry system per vehicle. Bring all transmitters to an Authorized Mazda Dealer when the electronic codes need to be reset.

Turning on the alarm

Pressing the ! button once will sound the horn intermittently and flash the headlights and hazard warning lights for about 2 minutes and 30 seconds.

Turning off the alarm

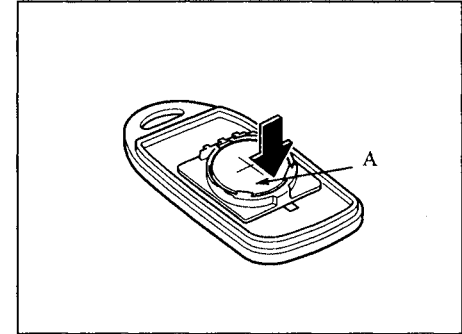
Press any button on the transmitter.



■ Maintenance

⚠ CAUTION

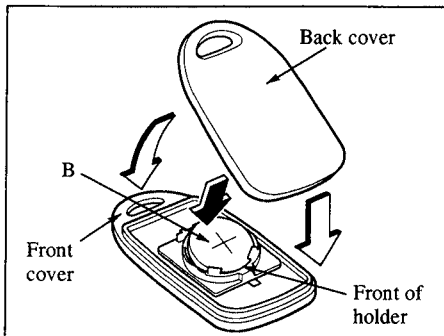
- Make sure the battery is installed with the correct pole facing upward. Battery leakage could occur if it is not installed correctly.
- When replacing the battery, be careful not to bend the electrical terminals or get oil on them. Also be careful not to get dirt in the transmitter as it could damage it.



2. Press the portion of the battery indicated by A and remove the battery.

▼ Replacing the transmitter battery

1. Insert a small screwdriver into the slot and gently pry open the transmitter.



3. Install a new battery (CR2025 or the equivalent) into the front portion of the holder with the positive pole (+) facing up. Press on the B portion of the battery to set the battery.

⚠ CAUTION
Do not press any buttons when replacing the battery. The electronic code could be altered and cause the keyless entry system to malfunction.
If the keyless entry system fails to operate, contact an Authorized Mazda Dealer.

4. Align the front and back covers and snap the transmitter shut.

▼ Service

If you have a problem with the keyless entry system, consult an Authorized Mazda Dealer.

If your transmitter is lost or stolen, bring all remaining transmitters to an Authorized Mazda Dealer as soon as possible for a replacement and to make the lost or stolen transmitter inoperative.

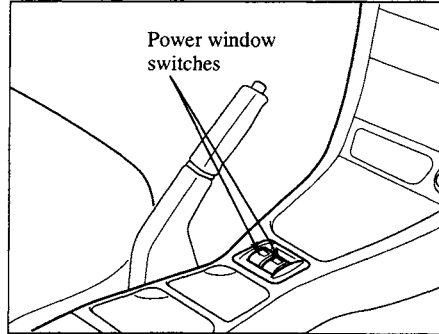
⚠ CAUTION
<ul style="list-style-type: none">• Changes or modifications could void your right to operate the keyless entry system.• Damage to your keyless entry system will affect the vehicle warranty coverage.

Power Windows

WARNING

Closing Power Windows:

Closing power windows are dangerous. A person's hands, head, or even neck could be caught by the window and result in serious injury or even death. This warning applies especially to children. Make sure the opening is clear before closing a window.

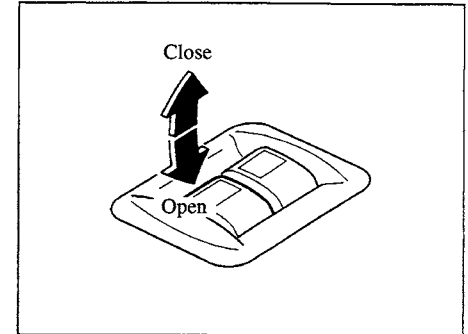


■ Power Window Switches

The ignition switch must be in the ON position for the power windows to operate.

To open the window, push down the switch.

To close the window, pull up the switch.

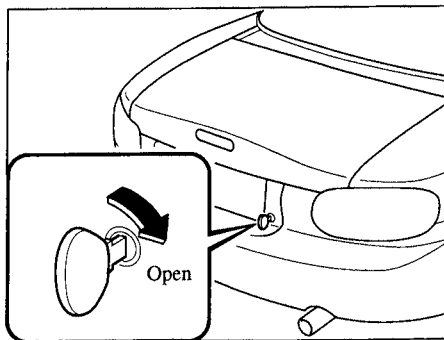


▼ Auto-opening (Driver's window)

To fully open the window automatically, push the switch completely down to open.

To stop the window partway, pull lightly on the switch and then release it.

Trunk Lid



■ Key-Operated Trunk

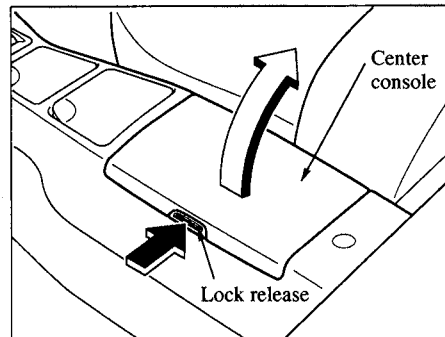
To open the trunk lid, insert the key into the slot and turn it clockwise.

To close, use both hands to push the lid down until the lock snaps shut. Don't slam it.

Then pull up on it to make sure it's secure.

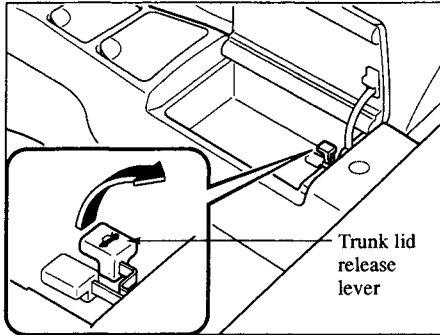
WARNING

Open Trunk and Exhaust Gas:
Exhaust gas in the cabin of a vehicle is dangerous. This gas contains CO (carbon monoxide), which is colorless, odorless, and highly poisonous. If inhaled, it can cause loss of consciousness and death. Because exhaust gas can get into the cabin through an open trunk, keep the trunk closed when driving.

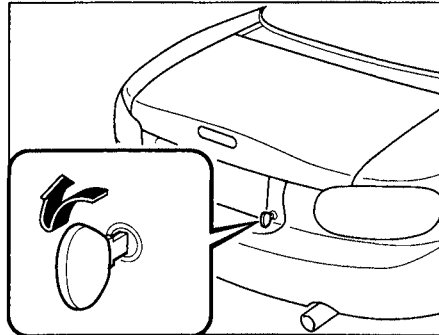


■ Remote Trunk Lid Release

The remote trunk lid release is mounted in the center console. To open the console, push the knob and lift the cover.



To release the trunk lid, pull up on the trunk lid release lever.



■ **Remote Trunk Lid Release Lock-Out***

The remote release may be canceled to prevent anyone in the vehicle from opening the trunk.

Close the trunk, insert the key, and turn it counterclockwise, then return the key to the center position and remove it.

To activate the remote release, insert the key, turn it clockwise and open the trunk lid at the same time.

NOTE

If the remote trunk lid release does not work, insert the key and turn it clockwise.

Trunk Release Handle

Your vehicle is equipped with a trunk release handle that provides a means of escape for children and adults in the event that they become locked inside the trunk.

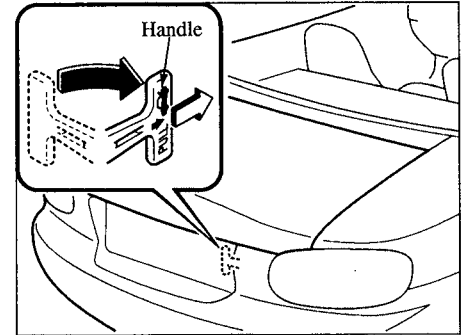
No matter how careful adults might be with keys and locking their cars, parents should be aware that children may be tempted to play around vehicles and use the trunk as a hiding place.

Adults are advised to familiarize themselves with the operation and location of the release handle so that all children can be told about it in an appropriate way, keeping in mind that most vehicles don't have such handles.

WARNING

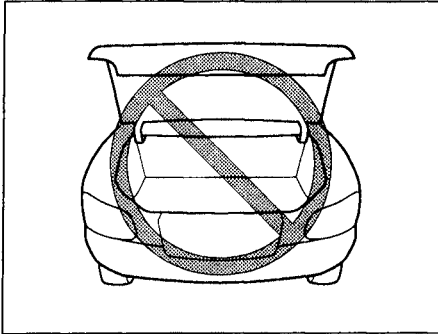
Open Trunk Lid and Children:

Leaving the trunk lid open or leaving children in the vehicle with the keys is dangerous. Children could open the trunk lid and climb inside resulting in possible injury or death from heat exposure. Close the trunk lid and do not allow children to play inside the vehicle.



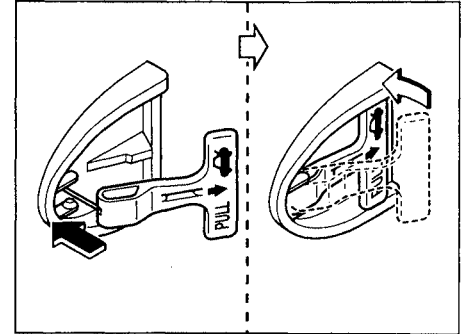
To open the trunk lid from the inside, pull the illuminated “T” shaped handle. The handle is made of material that will glow for hours in the darkness of the trunk following a brief exposure to ambient light.

The “T” shaped handle is located on the inside of the trunk end trim.



⚠ WARNING

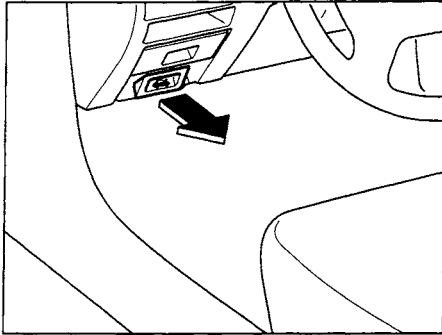
Unattended Children and Pets:
Leaving children or animals unattended in a parked vehicle is dangerous. Babies left sleeping and kids who lock themselves in cars or trunks can die very quickly from heat prostration. Don't leave your children or pets alone in a car at any time. Don't leave the car or the trunk unlocked. Always keep the car from being a tempting place to play by locking doors, trunk and keeping the keys where children won't play with them.



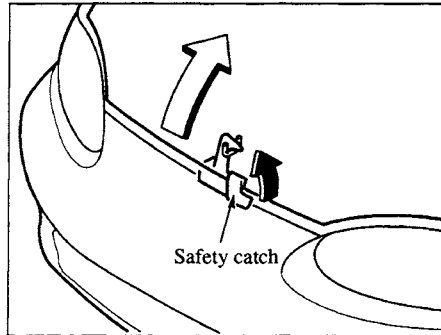
⚠ CAUTION

Always keep the handle firmly attached to the holder and in the recessed position. Not securing the handle this way could allow it to snag luggage in the trunk and open the trunk lid.

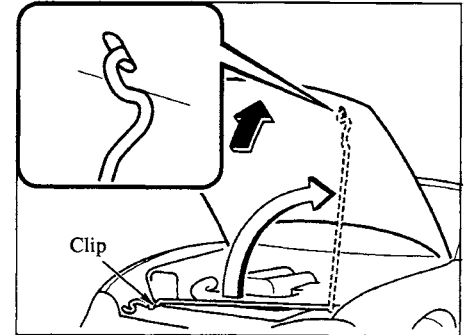
Hood Release



1. With the vehicle parked, pull the release handle to unlock the hood.



2. Pull the safety catch up and lift the hood.



3. Use the support rod to hold the hood open.

Before closing the hood, secure the rod in its clip.

Immobilizer System

To close the hood:

- Check under the hood area to make certain all filler caps are in place and all loose items (e.g. tools, oil containers, etc.) have been removed.
- Close the hood so that it locks securely.

If the engine is started without the proper key, the immobilizer system will cause the engine to stall, thereby helping to prevent the theft of your vehicle.

If the system is working properly, the warning light will come on when the ignition switch is turned to the START position. The light will go out when the engine starts.

If the light flashes rapidly, fails to come on, or comes on and stays on, it indicates a system malfunction. If any of these occur, contact an Authorized Mazda Dealer as soon as possible.

NOTE

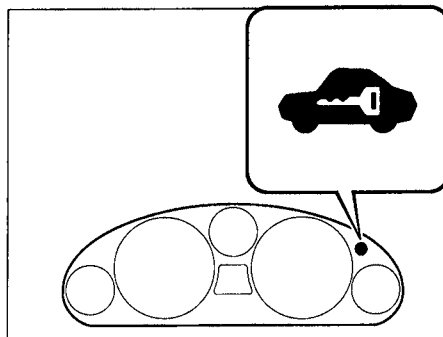
This device complies with part 15 of the FCC Rules and with RSS-210 of Industry Canada. Operation is subject to the following two conditions: (1) This device may not cause harmful interference, and (2) this device must accept any interference received, including interference that may cause undesired operation. (Outside transmissions may momentarily interfere with the device's operation.)

CAUTION

Changes or modifications not expressly approved by Mazda could void the user's authority to operate the equipment.

NOTE

- Signals from a TV or radio station, or from a transceiver or a mobile telephone, could interfere with your immobilizer system. If you are using the proper key and your engine fails to start, check the warning light. If it is flashing, turn the key to the OFF position and try starting the engine again. If it doesn't start after 3 or more tries, contact an Authorized Mazda Dealer.
- If the warning light flashes continuously while you are driving, don't shut off the engine. Go to an Authorized Mazda Dealer and have it checked. If you shut off the engine while the light is flashing you won't be able to restart it.



■ Operation

When you start the engine with a key the system recognizes, the system will allow the engine to continue running. However, if someone attempts to start the engine with an unrecognized key, the system will stall the engine immediately after it starts.

NOTE

If the warning light comes on and stays on when the ignition switch is turned to the ON position, the engine will not start.

■ Maintenance

If you have a problem with the immobilizer system or the key, consult an Authorized Mazda Dealer.

NOTE

- The keys carry a unique electronic code. For this reason, and to assure your safety, replacement keys require some waiting time to obtain. They are only available through an Authorized Mazda Dealer.
- Always keep a replacement key, in case one is lost. If a key is lost, contact an Authorized Mazda Dealer as soon as possible.
- If you lose a key, an Authorized Mazda Dealer will reset the electronic codes of your remaining keys and immobilizer system. Starting the vehicle with a key that has not been reset is not possible.

 **CAUTION**

To avoid damage to the key, do not:

- Drop the key.
- Get the key wet.
- Expose the key to any kind of magnetic field.
- Expose the key to high temperatures on places such as the dashboard or hood, under direct sunlight.

 **CAUTION**

When starting the engine, do not let the following materials touch the key grip. The engine may not start:

- Spare keys.
- Keys for other vehicles equipped with an immobilizer system.
- Metal objects that touch or pass through the hole in the key.

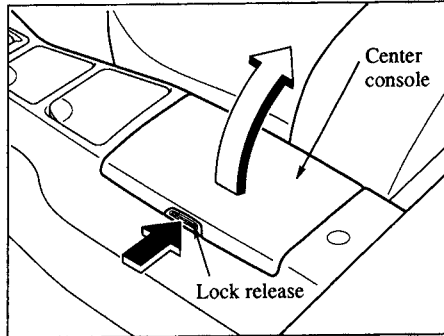
■ **Modification and Add-On Equipment**

Mazda cannot guarantee the system's operation if the system has been modified or if any add-on equipment has been installed to it.

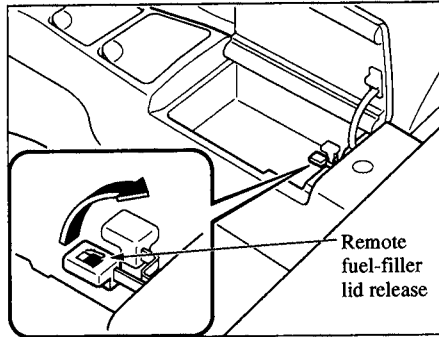
 **CAUTION**

To avoid damage to your vehicle, do not modify the system or install any add-on equipment to it.

Fuel-Filler Lid

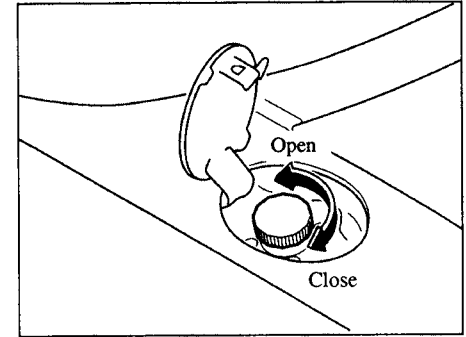


The remote fuel-filler lid release is mounted in the center console. To open the console, push the knob and lift the cover.



To open the fuel-filler lid, pull up on the remote fuel-filler lid release.

Fuel-Filler Cap



- To remove the filler cap, turn it counterclockwise.
- To replace the filler cap, turn it clockwise until it clicks.

 **WARNING**

Fuel Spray:

Fuel spray is dangerous. Fuel can burn skin and eyes and cause illness when ingested. Fuel spray is released when there is pressure in the fuel tank and the fuel cap is removed too quickly. When removing the fuel cap, loosen the cap slightly and wait for any hissing to stop. Then remove it.

 **CAUTION**

Always use only a designated Mazda fuel cap or an approved equivalent, available at Authorized Mazda Dealers. The wrong cap can result in a serious malfunction of the fuel and emission control systems. It may also cause the check engine light in the instrument cluster to appear.

 **WARNING**

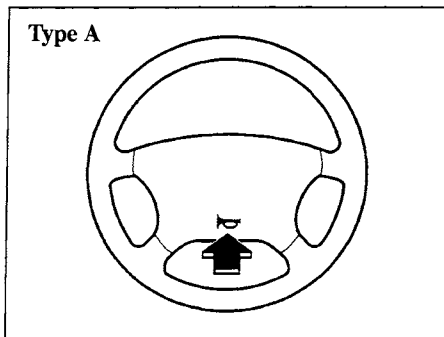
Fuel Vapor:

Fuel vapor is dangerous. It could be ignited by sparks or flames; causing serious burns and injuries. Before refueling, stop the engine. And always keep sparks and flames away from the filler neck.

 **CAUTION**

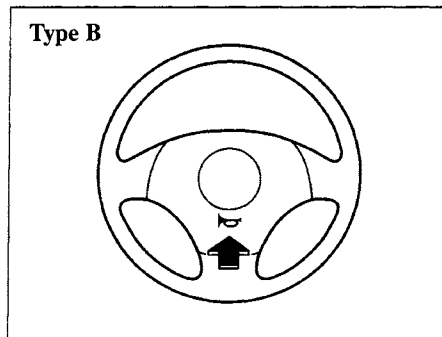
Make sure the fuel-filler cap is tightened securely. The check engine light comes on when the cap isn't tightened securely. If the light remains on (even after you have tightened the cap securely, driven, and restarted the engine several times), it may indicate a different problem. Contact an Authorized Mazda Dealer as soon as possible.

Horn



To sound the horn, press the center of the steering wheel.

Check the horn's operation regularly.



Mirrors

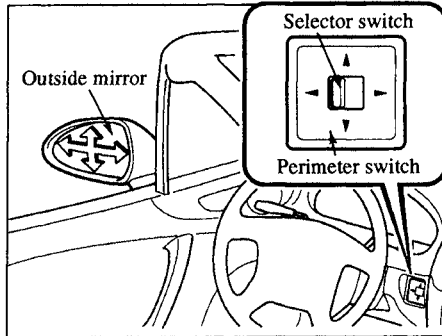
■ Outside Mirrors

Check the mirrors' angles before driving.

WARNING

Convex Mirrors:

Changing lanes without taking into account the actual distance of the vehicle in the convex mirror is dangerous. You could have a serious accident. What you see in the convex mirrors is closer than it appears. Be sure to look over your shoulder or to check your inside mirror before changing lanes.



To adjust:

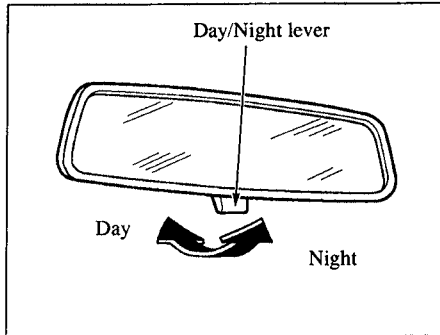
1. Move the selector switch to the left or right to choose the mirror.
2. Depress the perimeter switch in the appropriate direction.

⚠ WARNING

Driving with Mirrors Folded In:
Driving with the outside mirrors folded in is dangerous. Your rear view will be restricted, and you could have an accident. Always return the outside mirrors to the driving position before you start driving.

▼ **Power control mirror**

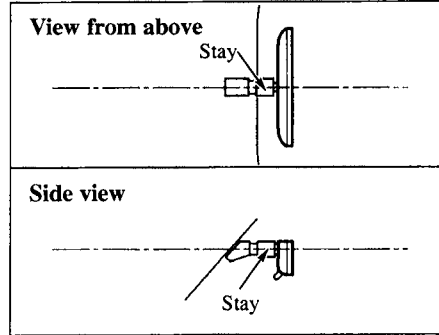
The ignition switch must be in the ACC or ON position.



■ **Rearview Mirror (With Day/Night Function)**

Before driving, adjust the rearview mirror to center on the scene through the rear window. Do this with the day/night lever in the day position.

Push the lever forward for day driving. Pull it back to reduce glare from headlights.



NOTE

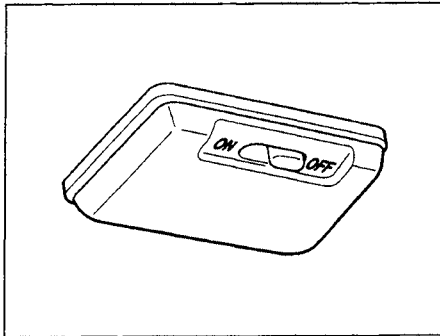
If your forward view is obstructed by the mirror or the sunvisor hits the mirror, adjust the mirror stay to the center-horizontal position.

⚠ WARNING

Blocked View:

Cargo stacked higher than the seatbacks is dangerous. It can block your view in the rearview mirror, which might cause you to hit another car when changing lanes. Don't stack things higher than the seatbacks.

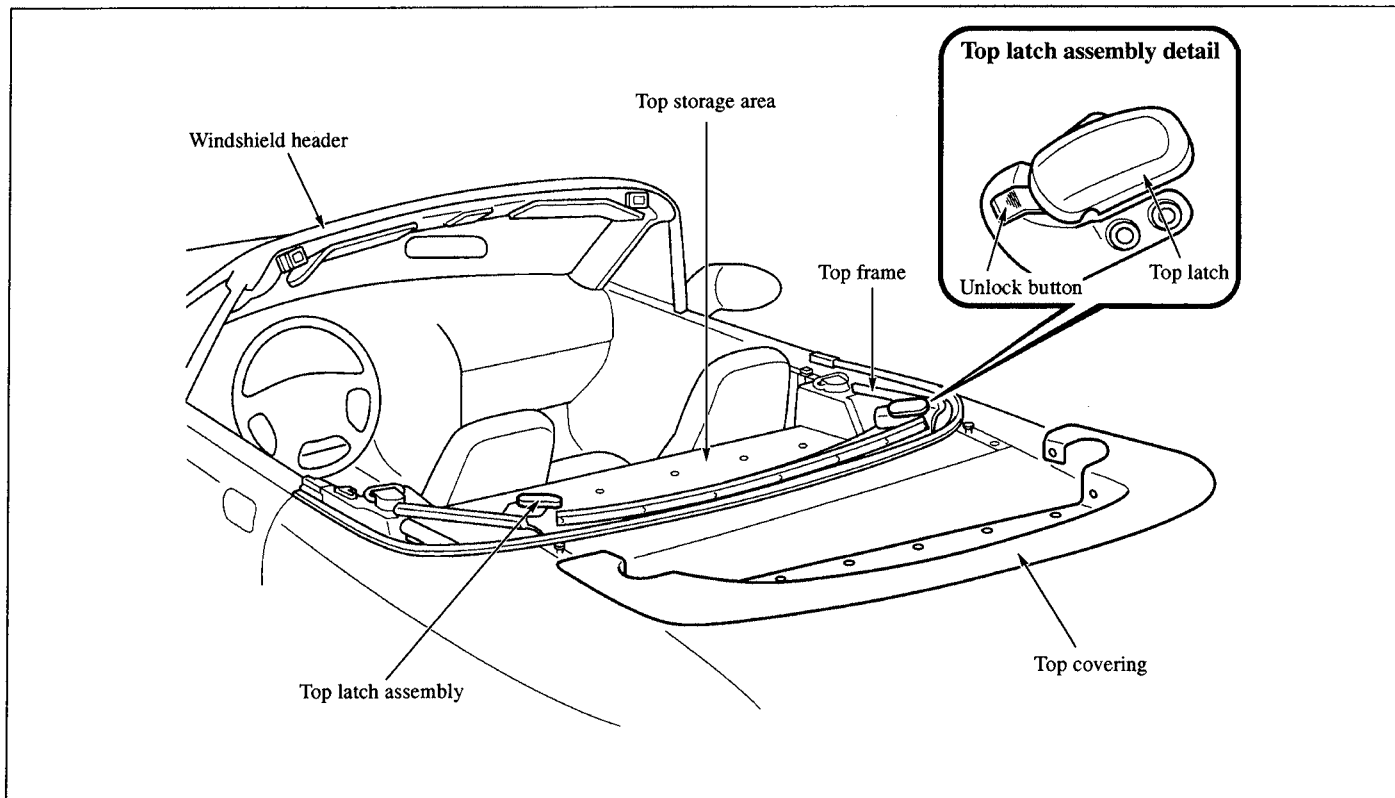
Interior Light



- OFF — Light off
- Center — Light on when any door is open
- ON — Light on

Convertible Top

■ Convertible Top Overview

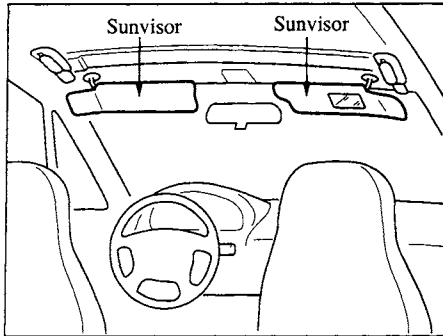


■ **Convertible Top Precautions**

- Before lowering or raising the top, stop in a safe place off the right-of-way and park on a level surface.
- Make sure nothing is on the top or near the back window when raising or lowering the top. Even small objects may interfere and cause damage.
- When lowering the top, make sure objects inside the vehicle aren't blown away by the wind.
- Secure all loose objects inside when driving with the top down.
- To help prevent burglary or vandalism and to ensure that the passenger compartment stays dry, close the top securely and lock all doors when leaving the vehicle.
- Don't drive through an automatic car wash; it may damage the top.
- Don't raise or lower the top when the temperature is below 5°C (41°F); this will damage the top material.
- Don't lower the top when it's wet. If the top dries while folded, it will deteriorate and shrink.
- Lowering the top while it's wet can also cause water to drip into the passenger compartment.
- Don't raise or lower the top when the wind is strong; the wind could damage the top.

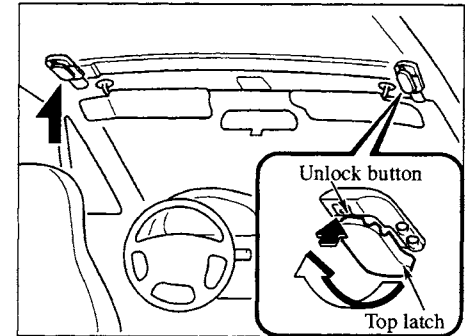
 **WARNING**

Standing in a Moving Vehicle:
Standing in the vehicle when it's moving is a dangerous way to ride. During a sudden maneuver or collision you could be seriously injured or even killed. Don't stand in the vehicle when its moving.



⚠ WARNING

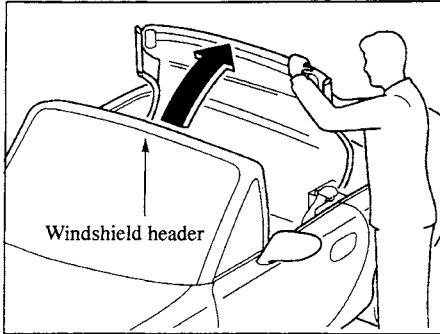
***Objects in the Storage Area:**
Putting heavy or sharp objects in the top storage area is dangerous. During a sudden stop or collision, they can become projectiles that might hit and injure passengers. Don't place heavy or sharp objects in the top storage area.*



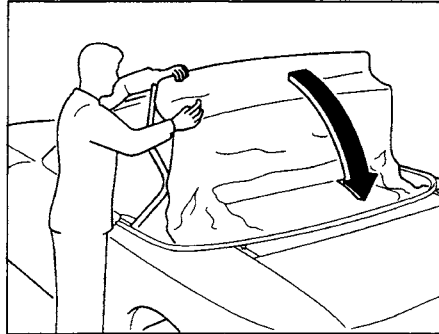
■ Lowering the Convertible Top

1. Set the parking brake and turn off the ignition.
2. Lower the side windows.
3. Pull down the sunvisors.
4. Remove all objects in the top storage area.

5. Push the unlock buttons and fully release the top latches.



6. Lift up on the front section of the top to release it from the windshield header.

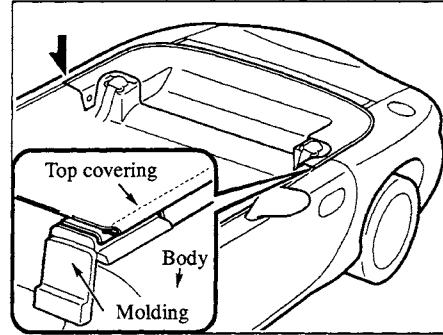
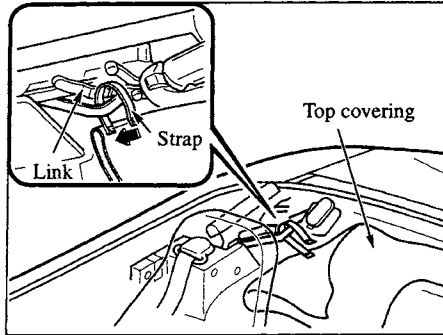


7. Fold back the front and carefully lower it to the storage area. Then put the latches in the locked position.

⚠ WARNING

Fastening Mechanisms:

It is dangerous to place your hands or fingers near the fastening mechanism. Your hands or fingers could be caught and injured by the mechanism. Always keep your hands and fingers away from the fastening mechanisms when moving the top.



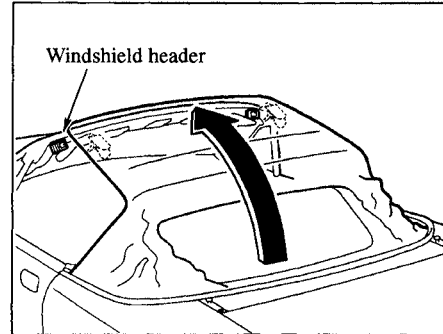
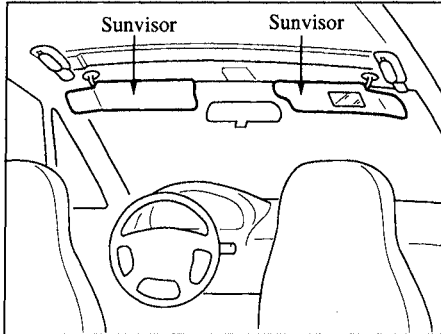
⚠ CAUTION

Never drive with the top partially folded or uncovered. Otherwise the top and/or the top covering could be damaged.

■ Covering the Convertible Top

1. Cover the convertible top with the top covering, stored in the trunk.
2. Feed the straps on the bottom of the covering through the lower links and snap them into position.
3. Secure the top covering with the straps.
4. Affix the top covering to the buttons.

5. Insert the top covering's rear edge into the groove in the body molding.

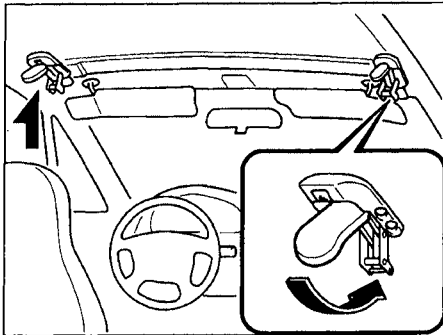


⚠ WARNING

Fastening Mechanisms:
It is dangerous to place your hands or fingers near the fastening mechanism. Your hands or fingers could be caught and injured by the mechanism. Always keep your hands and fingers away from the fastening mechanisms when moving the top.

■ **Raising the Convertible Top**

1. Set the parking brake and turn off the ignition.
2. Undo the fasteners and straps; remove the top covering and store it properly in the trunk.
3. Lower the side windows.
4. Pull down the sunvisors.
5. Unlock the top latches and open them fully.
6. Hold the top lift handle and pull the top up and forward until it's against the windshield header.



7. After securely hooking the top latches onto the windshield header, push each latch up with the palm of your hand until the lock buttons click and the latches are locked.

⚠ WARNING

Fastening Mechanisms:

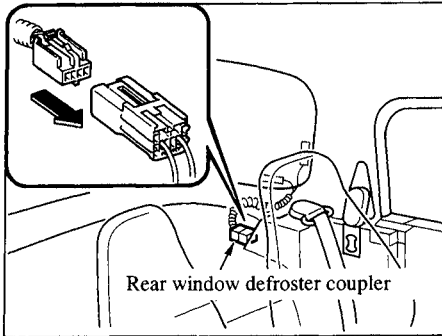
It is dangerous to place your hands or fingers near the fastening mechanism. Your hands or fingers could be caught and injured by the mechanism. Always keep your hands and fingers away from the fastening mechanisms when moving the top.

⚠ CAUTION

Make sure the top is securely locked by pushing up on it.
Driving with the top unlocked could damage the top.

NOTE

Make sure the top is securely locked by pushing up on it. If it still sounds loose (rattles) after being locked by the top latches, have it inspected at an Authorized Mazda Dealer.



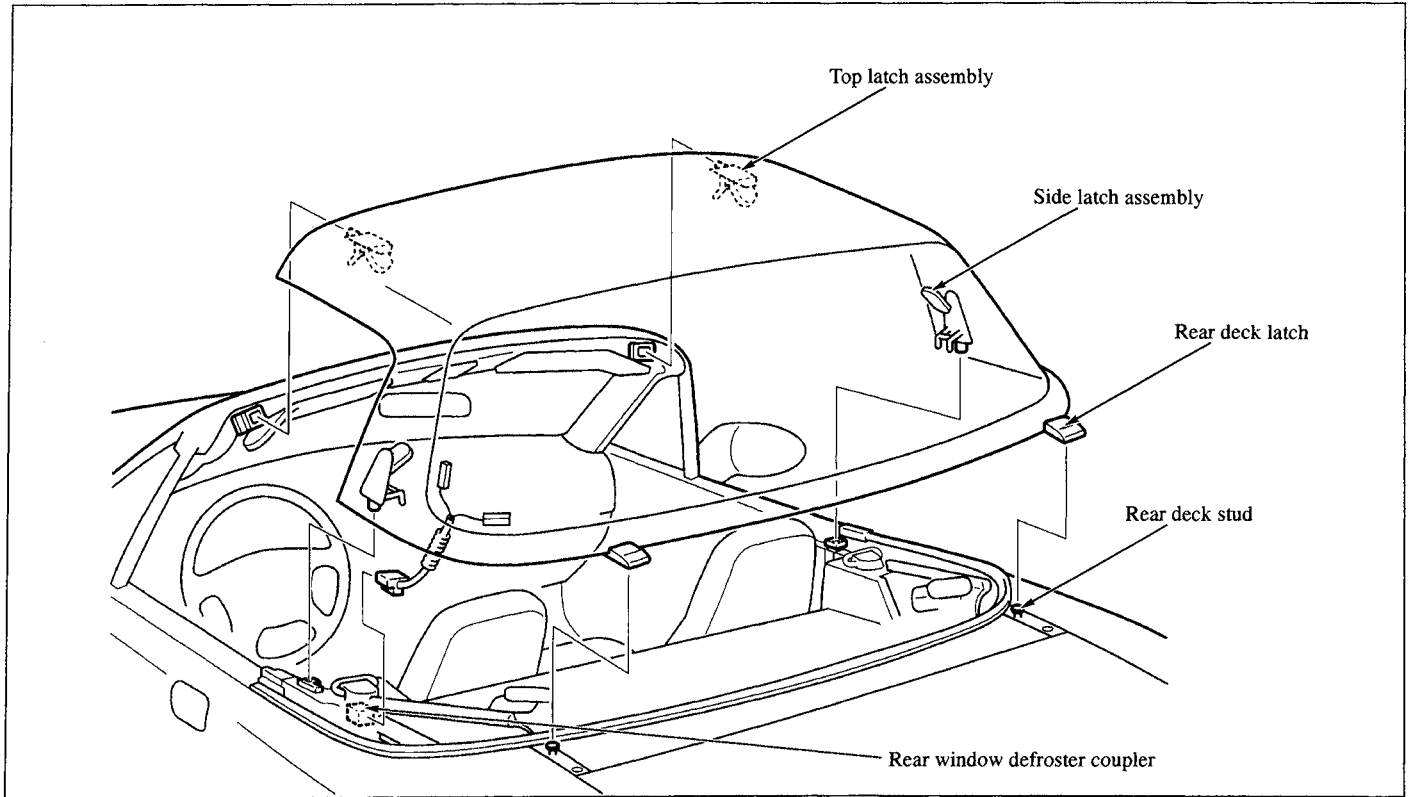
■ Taking Care of the Top

Refer to page 7-9 for information on taking care of the top.

8. If the rear window defroster coupler is disconnected, connect the coupler.

Detachable Hardtop

■ Detachable Hardtop Overview



■ **Detachable Hardtop Precautions**

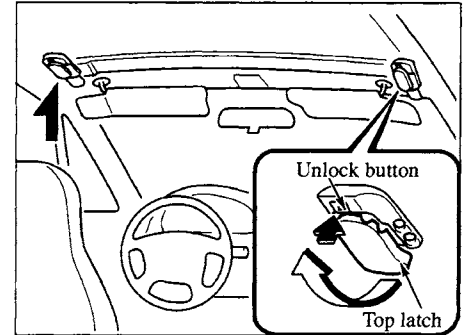
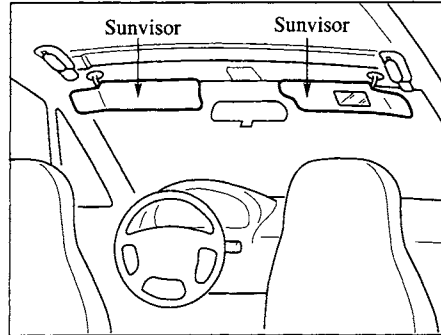
- Before removing or installing the hardtop, stop in a safe place off the right-of-way and park on a level surface.
 - When removing the hardtop, make sure objects inside the vehicle aren't blown away by the wind.
 - Secure all loose objects inside when driving with the top removed.
 - To help prevent burglary or vandalism and to ensure that the passenger compartment stays dry, close the top securely and lock all doors when leaving the vehicle.
 - Don't drive through an automatic car wash; it may damage the hardtop.
- Don't remove or install the top when the wind is strong; the wind could damage the top.
 - When removing the hardtop, make sure the operation is performed by 2 persons.
 - Before removing the hardtop, lower or remove the antenna.
 - Removing the top while it's wet can cause water to drip into the passenger compartment.

 **WARNING**

Standing in a Moving Vehicle:
Standing in the vehicle when it's moving is a dangerous way to ride. During a sudden maneuver or collision you could be seriously injured or even killed. Don't stand in the vehicle when its moving.

⚠ WARNING

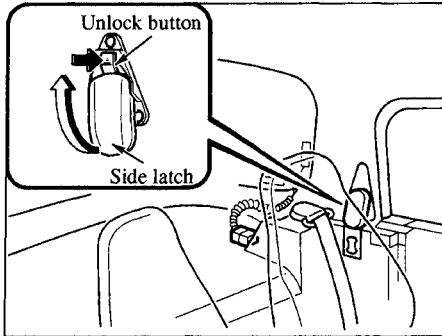
Hardtop and Rollover Accidents:
Rollover accidents on a hardtop vehicle are dangerous. The hardtop is not as strong as a regular steel roof. Rollover accidents could dislodge or crush the hardtop and cause serious injuries or even death. Always drive safely and observe the speed limit.



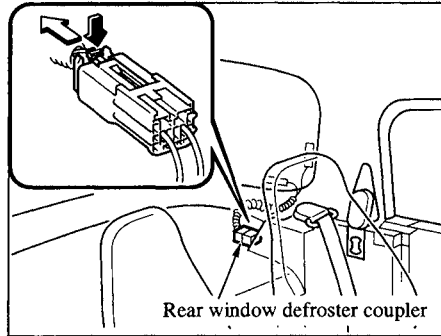
■ **Removal of Detachable Hardtop**

1. Set the parking brake and turn off the ignition.
2. Lower the side windows.
3. Pull down the sunvisors.

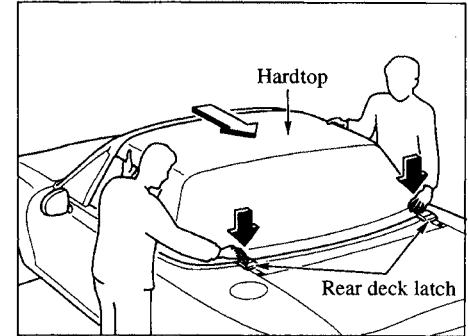
4. Push the unlock buttons and fully release the top latches.



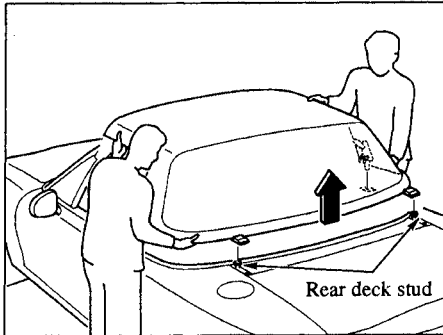
5. Push the unlock buttons and fully release the side latches.



6. Disconnect the rear window defroster coupler.



7. Slide the hardtop rearward while pressing down on the rear deck latches to unlock the latches.



8. Lift the hardtop straight off the body to prevent damage to the rear deck latches and studs.

⚠ WARNING

Fastening Mechanisms:

It is dangerous to place your hands or fingers near the fastening mechanism. Your hands or fingers could be caught and injured by the mechanism. Always keep your hands and fingers away from the fastening mechanisms when moving the top.

⚠ WARNING

Windshield's Edges:

Not being careful of the windshield's edges when getting into or out of the vehicle is dangerous. The windshield's edges could scratch and cause injuries. Be careful of the windshield's edges when getting into or out of the vehicle.

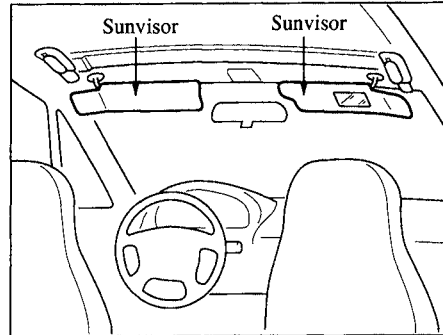
⚠ CAUTION

- Be careful not to strike the body with any of the protruding hardtop latches.
- Use extreme care when carrying the hardtop to prevent scratching or other damage to it.

NOTE

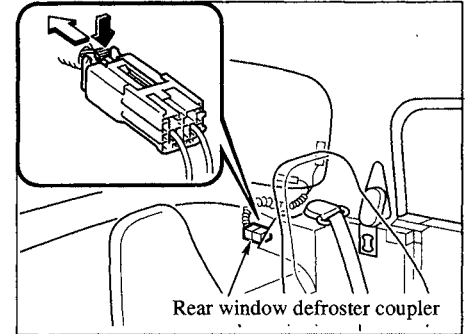
Points to remember when storing the detachable hardtop.

- Do not place the hardtop on a hard surface, such as concrete or asphalt. Place it on a cushioning material, such as an old blanket.
- Be sure the top and side latches are locked.
- Do not lean the hardtop against a wall or stand it in an unstable way.
- Store the hardtop in a dry clean area, and cover it with a soft material, such as an old blanket.

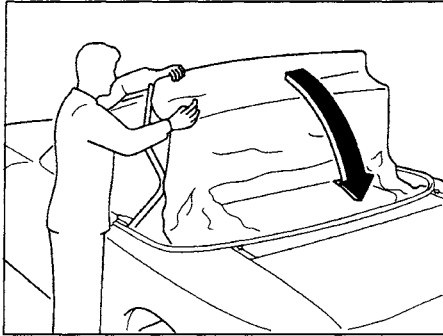


■ Installation of Detachable Hardtop

1. Set the parking brake and turn off the ignition.
2. Lower the side windows.
3. Pull down the sunvisors.



4. Disconnect the rear window defroster coupler.



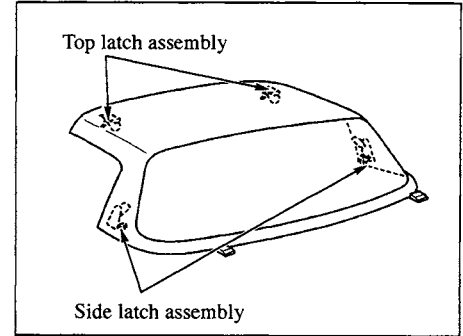
5. Fully lower the convertible top.
(page 3-29)

⚠ CAUTION

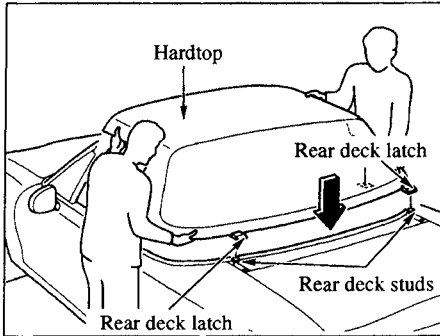
Do not attempt to install the hardtop with the top covering also installed. Remove the top covering before installing the hardtop, otherwise damage will occur to the top covering.

NOTE

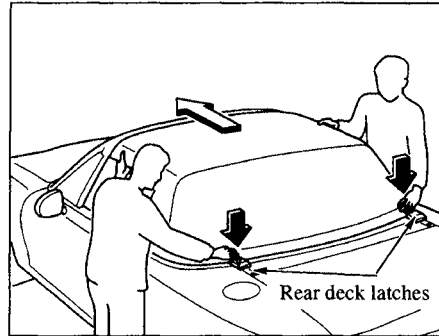
Be sure to place the top latches in the locked position.



6. Unlock the top latches and the side latches on the hardtop.



7. Align the rear deck latches with the rear deck studs and set the hardtop squarely onto the body.



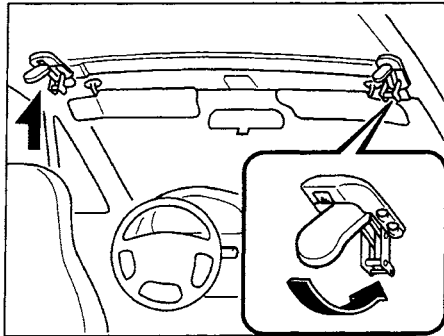
8. Slide the hardtop forward while pressing down on the rear deck latches to lock the latches, and then verify that they are secure by attempting to lift the rear of the hardtop.

⚠ CAUTION

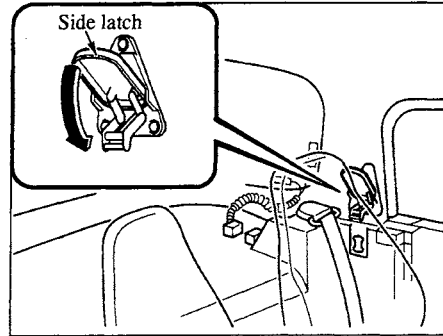
Be careful not to strike the body with any of the protruding hardtop latches.

⚠ CAUTION

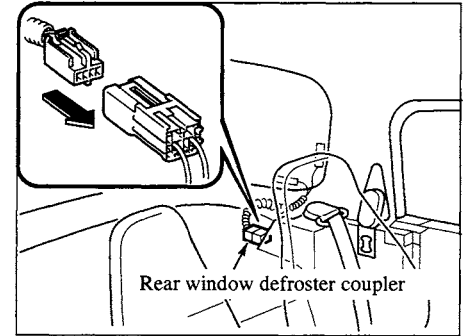
The rear defogger grid and the defogger cord could be damaged when removing or installing the top. Make sure the rear defogger grid isn't folded and the defogger cord isn't caught between the vehicle's body and the top.



8. Push each top latch up with the palm of your hand until the lock buttons click and the latches are locked.



9. Push each side latch down with the palm of your hand until the lock buttons click and the latches are locked.



10. Reconnect the rear window defroster coupler.

⚠ CAUTION

After installation, verify that all latches are secure. Operating the vehicle with unlocked latches may cause hardtop damage or loss.

NOTE

If the top rattles even when all latches are secure, contact your Authorized Mazda Dealer for inspection.

■ **Detachable Hardtop Appearance Care**

Refer to page 7-10 for information on detachable hardtop appearance care.

4

Protecting Your Mazda

Most people like to save money. With an automobile vehicle, that can be done in several ways from its first day of operation. Probably tops on the list of cost-efficiency is using the right kind of fuel and using that fuel conservatively.

Section 4 explains how to do this. Further, it discusses proper loading and how to respond to unusual driving conditions. It also illustrates where important vehicle information labels may be found.

Fuel Requirements	4- 2
Emission Control System	4- 3
Engine Exhaust	4- 4
Before Driving	4- 6
Break-In Period	4- 6
Money-Saving Suggestions	4- 7
Special Driving Conditions	4- 8
Vehicle Information Labels	4-12

Fuel Requirements

Vehicles equipped with catalytic converters must use **ONLY UNLEADED FUEL**, which will reduce exhaust emissions and keep spark plug fouling to a minimum.

Your Mazda will perform best with premium unleaded fuel having an octane rating (antiknock index) of at least 91.

You may use a regular unleaded gasoline with a rating from 87 to 90; this will slightly reduce performance.

Also, fuel with a rating lower than 87 octane could cause the emission control system to lose effectiveness. It could also cause engine knocking and serious engine damage.

U.S. federal law requires that octane ratings be posted on gasoline station pumps.

CAUTION

NEVER USE LEADED FUEL

It is harmful to the catalytic converter. The lead will accumulate on the oxygen sensor and the catalyst inside the converter.

This will result in a malfunction of the emission control system, causing poor performance.

Gasoline blended with oxygenates such as alcohol or ether compounds are generally referred to as oxygenated fuels. The common gasoline blend that can be used with your vehicle is ethanol blended at no more than 10%.

Gasoline containing alcohol, such as ethanol or methanol, may be marketed under the name "Gasohol".

CAUTION

Your vehicle can only use oxygenated fuels containing no more than 10% ethanol by volume. Damage to your vehicle may occur when ethanol exceeds this recommendation, or if the gasoline contains any methanol. Stop using gasohol of any kind if your vehicle engine is performing poorly.

Emission Control System

CAUTION

Never add fuel system additives. Never add cleaning agents other than those specified by Mazda. Other cleaning agents and additives may damage the system. Consult an Authorized Mazda Dealer.

Vehicle damage and drivability problems resulting from the use of the following may not be covered by the Mazda warranty.

- 1) Gasohol containing more than 10% ethanol
- 2) Gasoline or gasohol containing methanol
- 3) Leaded fuel or leaded gasohol

Your vehicle is equipped with an emission control system (the catalytic converter is part of this system) that enables your vehicle to comply with U.S. exhaust emissions requirements.

Under U.S. federal law, any modification to the original-equipment emission control system before the first sale and registration of a vehicle is subject to penalties. In some states, such modification made on a used vehicle is also subject to penalties.

WARNING

Parking Over Things That Burn:
Parking over or near anything inflammable, such as dry grass, is dangerous. Even with the engine turned off, the exhaust system could ignite it because the exhaust system gets very hot during normal use. A resulting fire could cause serious injury or death. Never park over or near anything inflammable.

 **CAUTION**

Ignoring the following precautions could cause lead to accumulate on the catalyst inside the converter or cause the converter to get very hot. Either condition will damage the converter and cause poor performance.

- USE ONLY UNLEADED FUEL.
- Don't drive your Mazda with any sign of engine malfunction.
- Don't coast with the ignition switch turned off.
- Don't descend steep grades in gear with the ignition switch turned off.
- Don't operate the engine at high idle for more than 5 minutes.

(Continued)

- Don't tamper with the emission control system. All inspections and adjustments must be made by a qualified technician.
- Don't try to push-start or pull-start your vehicle.

**Engine Exhaust
(Carbon Monoxide)**

 **WARNING**

Carbon Monoxide:

Engine exhaust is dangerous. This gas contains carbon monoxide (CO), which is colorless, odorless, and poisonous. When inhaled, it can cause loss of consciousness and death. If you smell exhaust gas inside your vehicle, keep all windows fully open and contact an Authorized Mazda Dealer immediately.

 **WARNING**

Exhaust Gas in Enclosed Area:
Running the engine inside an enclosed area, such as a garage, is dangerous. Exhaust gas, which contains poisonous carbon monoxide, could easily enter the cabin. Loss of consciousness or even death could occur. Don't run the engine when inside an enclosed area.

 **WARNING**

Idling with the Windows Closed:
Exhaust gas is dangerous. When your vehicle is stopped with the windows closed and the engine running for a long time in an open area, exhaust gas, which contains poisonous carbon monoxide, could enter the cabin. Loss of consciousness or even death could occur. Open the windows or adjust the heating or cooling system to draw fresh air.

 **WARNING**

Snow Blocking the Exhaust Gas:
Running the engine when a vehicle is stopped in deep snow is dangerous. The exhaust pipe could be blocked by the snow, allowing exhaust gas to enter the cabin. Because exhaust gas contains poisonous carbon monoxide, anyone in the cabin could be injured or killed. Clear the snow from underneath and around your vehicle before starting the engine.

Before Driving

■ Before Getting In

- Be sure the windows, outside mirror(s), and outside lights are clean.
- Inspect inflation pressures and condition of tires.
- Look under the vehicle for any sign of a leak.
- If you plan to back up, make sure nothing will be in your way.

NOTE

Engine oil, engine coolant, brake/clutch fluid, washer fluid, and other fluid levels should be inspected daily, weekly, or at refueling, depending on the fluid. See Maintenance, Section 8.

■ After Getting In

- Are all doors closed and locked?
- Are the inside and outside mirrors adjusted?
- Is everyone's seat belt fastened?
- Do all the lights work?
- Check all gauges.
- Check all warning lights when the ignition switch is turned to the ON position.
- Release the parking brake and make sure the brake warning light goes off.

Always be thoroughly familiar with your Mazda.

Break-In Period

No special break-in is necessary, but a few precautions in the first 1,000 km (600 miles) may add to the performance, economy, and life of your Mazda.

- Don't race the engine.
- Don't maintain one constant speed for long.
- Don't drive constantly at full-throttle or high engine rpm for extended periods of time.
- Avoid unnecessary hard stops.
- Avoid full-throttle starts.

Money-Saving Suggestions

How you operate your Mazda determines how far it will travel on a tank of fuel. Use these suggestions to help save money on fuel and repairs.

- Avoid long warm-ups. Once the engine runs smoothly, begin driving.
- Avoid fast starts.
- Keep the engine tuned. Follow the maintenance schedule (page 8-3) and have an Authorized Mazda Dealer perform inspections and servicing.
- Use the air conditioner only when necessary.
- Slow down on rough roads.
- Keep the tires properly inflated.
- Don't carry unnecessary weight.
- Don't rest your foot on the brake pedal while driving.
- Keep the wheels in correct alignment.
- Keep windows closed at high speeds.
- Slow down when driving in crosswinds and headwinds.



WARNING

Coasting:

Turning off the engine to coast down a hill is dangerous. This causes the loss of power steering and power brake control. Any loss of steering or braking control could cause an accident. Never turn off the engine and coast down a hill.

Special Driving Conditions

■ Hazardous Driving

When driving on ice or in water, snow, mud, sand, or similar hazard:

- Be cautious and allow extra distance for braking.
- Avoid sudden braking and quick steering.
- Brake with the pedal by using a light up-down motion. Don't hold the pedal down constantly.
- If you get stuck, shift to 1 or 2 and accelerate slowly. Don't spin the rear wheels.
- For more traction in starting, use sand, rock salt, chains, carpeting, or other non-slip material under the rear wheels.

WARNING

Downshifting on Slippery Surfaces:
Downshifting into lower gear while driving on slippery surfaces is dangerous. The sudden change in tire speed could cause the tires to skid. This could lead to loss of vehicle control and an accident. If it is necessary to downshift on slippery surfaces, be very careful.

■ Rocking the Vehicle

If you must rock the vehicle to free it from snow, sand, or mud, depress the accelerator slightly and...

(Automatic transmission)

Slowly move the shift lever back and forth from D to R.

(Manual transmission)

Slowly move the shift lever back and forth from 1 to R.

 **WARNING**

Spinning the Wheels:

When the vehicle is stuck, spinning the wheels at high speed is dangerous. The spinning tire could overheat and explode. This could cause serious injuries. Don't spin the wheels at more than 56 km/h (35 mph), and don't allow anyone to stand behind a wheel when pushing the vehicle.

 **CAUTION**

Too much rocking may cause engine overheating, transmission failure, and tire damage.

■ **Winter Driving**

- Carry emergency gear, including tire chains, window scraper, flares, a small shovel, jumper cables, and a small bag of sand or salt.
- Ask a Mazda dealer to perform the following precautions.
- Have the proper ratio of antifreeze in the radiator.
- Inspect the battery and its cables. Cold reduces battery capacity.
- Use only cold-weather engine oil (page 8-12).
- Inspect the ignition system for damage and loose connections.
- Use washer fluid made with antifreeze—but don't use engine coolant antifreeze for washer fluid (page 8-24).
- Don't use the parking brake if it might freeze. Instead, shift to P with an automatic transmission and to 1 or R with a manual transmission. Block the rear wheels.

▼ Snow tires

Use snow tires on all four wheels.

Don't go faster than 120 km/h (75 mph). Inflate snow tires 28 kPa (0.3 kgf/cm², 4 psi) more than recommended on the tire's pressure label on the (driver's door), but never more than the maximum cold-tire pressure shown on the tires.

WARNING

Mixing Tire Types:

Using tires different in size or type is dangerous. Your vehicle's handling could be greatly affected and result in an accident. Use only the same size and type tires (snow, radial, or non-radial) on all four wheels.

NOTE

Check local regulations before using studded tires.

▼ Tire chains

Check local regulations before using tire chains.

Install the chains on the rear tires. Don't use chains on the front tires. Use only SAE Class "S" chains, and make sure they fit.

To install the chains:

1. Secure the chains on the rear tires as tightly as possible. Always follow the chain manufacturer's instructions.
2. Retighten the chains after driving 1/2-1 km (1/4-1/2 mile).

CAUTION

- Chains may scratch or chip aluminum wheels. Install tire chains on steel wheels only.
- Chains may affect handling.
- Don't go faster than 50 km/h (30 mph) or the chain manufacturer's recommended limit, whichever is lower.
- Drive carefully and avoid bumps, holes, and sharp turns.
- Avoid locked-wheel braking.
- Don't use chains on the temporary tire; it may result in damage to the vehicle and to the tire.
- Don't use chains on roads that are free of snow or ice. The tires and chains could be damaged.

■ Driving in Flooded Areas

 **CAUTION**

Make sure water does not enter the vehicle interior or the engine area. The vehicle interior could become wet or the engine could be damaged.

 **WARNING**

Driving with Wet Brakes:
Driving with wet brakes is dangerous. Increased stopping distance or the vehicle pulling to one side when braking could result in a serious accident. Light braking will indicate whether the brakes have been affected. Dry the brakes by driving very slowly and applying the brakes lightly until brake performance returns to normal.

■ Trailer Towing

Never tow a trailer with your Mazda.

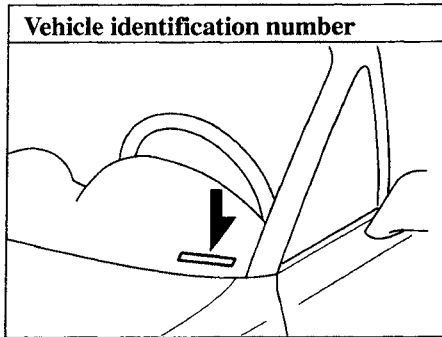
■ Overloading

 **WARNING**

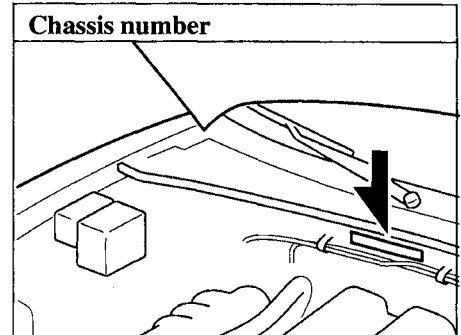
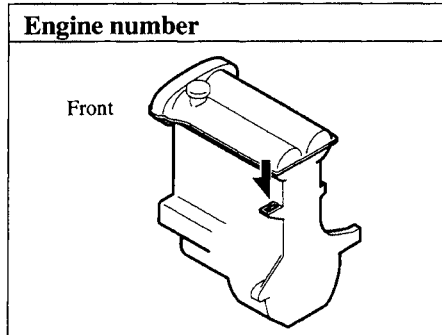
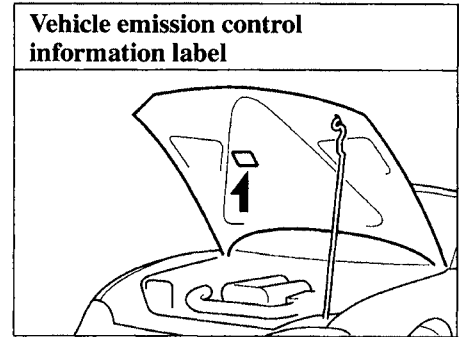
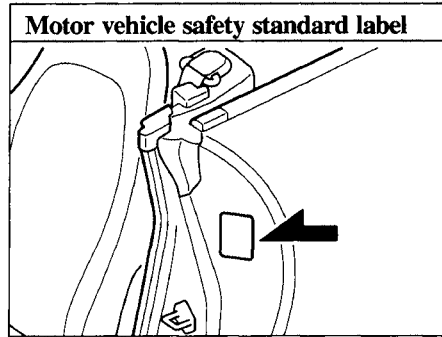
Vehicle Load Weight:

The gross axle weight rating (GAWR) and the gross vehicle weight rating (GVWR) of your vehicle are on the Motor Vehicle Safety Standard Label on the driver's door frame. Exceeding these ratings can cause an accident or vehicle damage. You can estimate the weight of your load by weighing the items (or people) before putting them in the vehicle. Be careful not to overload your vehicle.

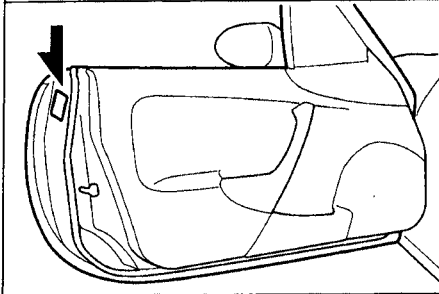
Vehicle Information Labels



The vehicle identification number legally identifies your vehicle. The number is on a plate attached to the left top side of the dashboard. This plate can easily be seen through the windshield.



Tire pressure label



5

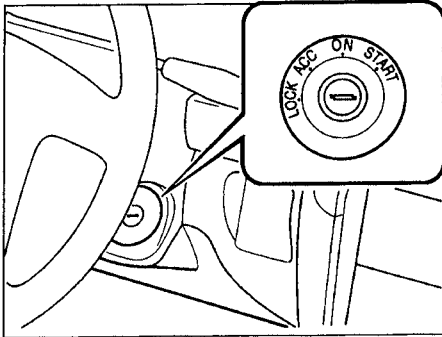
Driving Your Mazda

Operating your vehicle requires a good understanding of the many controls you must know and use. Section 5 describes all this in step-by-step information from use of the ignition switch to cruise control and braking.

Also highlighted are the gearshift, power steering, instruments and gauges, warnings and indicators, windshield wipers, and interior features. You'll find complete details about the advanced audio system too.

Ignition Switch Positions	5- 2	Power Steering	5-16
Starting the Engine	5- 3	Cruise Control	5-16
Manual Transmission Operation	5- 5	Instrument Cluster	5-21
Automatic Transmission	5- 7	Gauges	5-22
Brake System	5-12	Dashboard Illumination	5-26
		Warning Lights/Beeps	5-26
		Lighting Control and Turn Signals	5-33
		Windshield Wipers and Washer	5-35
		Rear Window Defroster	5-37
		Lighter	5-38
		Ashtray	5-38
		Storage Compartments	5-39
		Cup Holder	5-40
		Sunvisors	5-41
		Vanity Mirror	5-41
		Windblocker	5-41
		Mesh Pocket	5-42
		Air-Conditioning System	5-42
		Radio Reception	5-53
		Safety Certification	5-55
		AM/FM Radio with Compact Disc Player (Type A)	5-57
		AM/FM Radio with Compact Disc Player (Type B)	5-87
		Antenna	5-104

Ignition Switch Positions



■ ON

This is the normal running position after the engine is started. The warning lights (except brakes) should be inspected before the engine is started (page 5-26).

■ START

The engine is started in this position. It will crank until you release the key; then it returns to the ON position. The brake warning light can be checked after the engine is started (page 5-27).

■ ACC (Accessory)

The steering wheel unlocks and some electrical accessories will operate.

■ LOCK

The steering wheel locks to protect against theft. Only in this position can the key be removed.

NOTE

If turning the key is difficult, jiggle the steering wheel from side to side.

WARNING

Removing the Key:

It's dangerous to remove the key from the ignition switch while the vehicle is moving. Removing the key allows the steering wheel to lock. You will lose steering control and a serious accident could occur. Remove the key only when the vehicle is parked.

Starting the Engine

WARNING

Not Setting the Parking Brake:
Leaving the driver's seat without setting the parking brake is dangerous. Unexpected vehicle movement could occur if the parking brake is not set. This could cause an accident. Before leaving the driver's seat, always set the parking brake and make sure the shift lever is in P with an automatic transmission or in 1 or R with a manual transmission.

NOTE

If the ignition switch is in the LOCK or ACC position, a beep will sound when any door is opened.

1. Occupants should fasten their seat belts.
2. Make sure the parking brake is on.
3. Depress the brake pedal.

4. (Manual transmission)

Depress the clutch pedal all the way and shift into neutral.
 Keep the pedal depressed while cranking the engine.

(Automatic transmission)

Put the vehicle in park (P). If you must restart the engine while the vehicle is moving, shift into neutral (N).

NOTE

The starter will not operate...

- If the shift lever is **not** in P or N (automatic), or
- If the clutch pedal is **not** pushed down all the way (manual).

5. Turn the ignition switch to the START position and hold (up to 10 seconds at a time) until the engine starts.

 **CAUTION**

Don't try the starter for more than 10 seconds at a time. If the engine stalls or fails to start, wait 10 seconds before trying again. Otherwise, you may damage the starter and drain the battery.

6. After starting the engine, let it idle for about 10 seconds.

NOTE

In extremely cold weather, below -18°C (0°F), or after the vehicle has stood idle several days, let the engine warm up without operating the accelerator.

NOTE

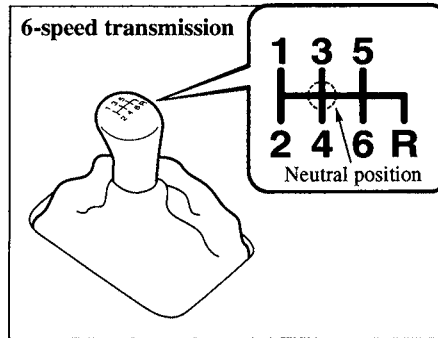
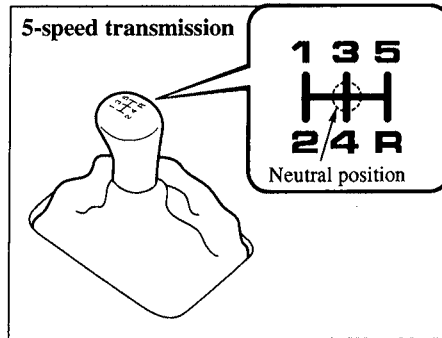
Whether cold or warm, the engine should be started without use of the accelerator.

If the engine fails to start, it may be flooded (excessive fuel in the engine).

Follow this procedure:

1. Depress the accelerator all the way and hold it there.
2. Turn the ignition switch to the START position and hold it there—for up to 10 seconds. If the engine starts, release the key and accelerator immediately because the engine will suddenly rev up.
3. If the engine fails to start, crank it without using the accelerator—for up to 10 seconds.

Manual Transmission Operation



NOTE

- Make sure the vehicle is stopped before shifting to R.
- If shifting into reverse is difficult, shift into neutral, release the clutch pedal, and try again.

■ Manual Transmission Shift Pattern

The shift pattern of the transmission is conventional, as shown.

Press the clutch pedal all the way down while shifting; then release it slowly.

(5-speed transmission)

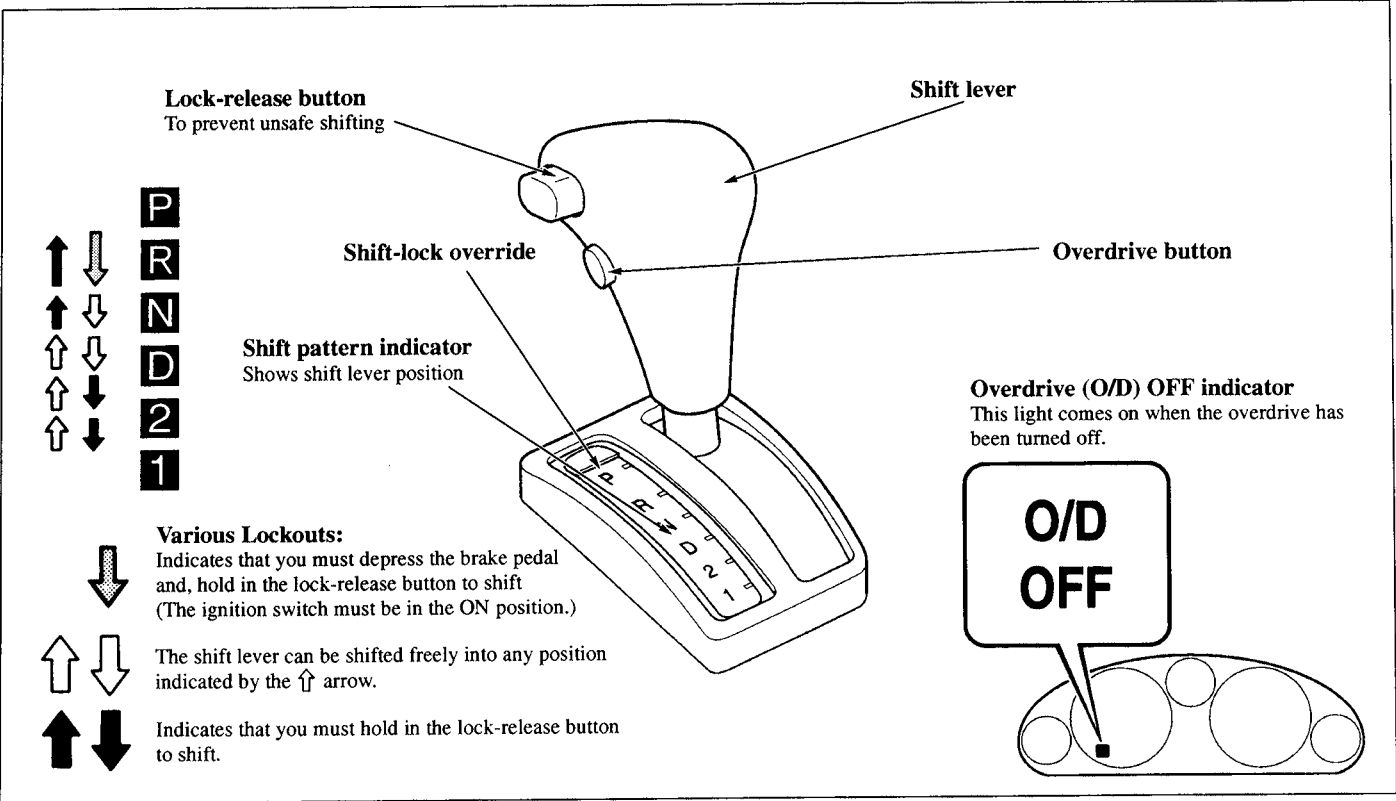
A safety feature prevents accidental shifting from 5 to R. The shift lever must be put in neutral before being shifted to R.

 **CAUTION**

- Keep your foot off the clutch pedal except when shifting gears. Also, don't use the clutch to hold the vehicle on an upgrade. This will avoid needless clutch wear and damage.
- Don't run the engine with the tachometer needle in the RED ZONE.
This may cause severe engine damage.

Automatic Transmission

Automatic Transmission Controls



■ Transmission Ranges

The shift lever must be in P or N to operate the starter.

▼ P (Park)

P locks the transmission and prevents the rear wheels from rotating.

WARNING

Holding the Vehicle with P:

Setting the shift lever to the P position without using the parking brake to hold the vehicle is dangerous. If P fails to hold, the vehicle could move and cause an accident. To hold the vehicle, set the shift lever to P AND set the parking brake.

CAUTION

- Shifting into P or R while the vehicle is moving can damage your transmission.
- Shifting into a driving gear or reverse when the engine is running faster than idle can damage the transmission.

▼ R (Reverse)

In position R, the vehicle moves only backward. You must be at a complete stop before shifting from R, except as explained under Rocking the Vehicle (page 4-8).

▼ N (Neutral)

In N, the wheels and transmission are not locked. The vehicle will roll freely even on the slightest incline unless the parking brake or brakes are on.

WARNING

Shifting from N or P:

It's dangerous to shift from N or P into a driving gear when the engine is running faster than idle. If this is done, the vehicle could move suddenly, causing an accident or serious injury. If the engine is running faster than idle, don't shift from N or P into a driving gear.

▼ **D (Drive)**

D is the normal driving position. From a stop, the transmission will automatically shift through a 4-gear sequence.

▼ **2 (Second)**

The 2 position is helpful when driving in heavy, slow-moving traffic and climbing hills, for engine braking assist when going down hills, or for starting on slick surfaces and other situations where gentle acceleration may be necessary. Do not exceed 104 km/h (64 mph) in the 2 position.

▼ **1 (Low)**

Use the 1 position for maximum power in hard-pulling situations, or for climbing and descending very steep grades. Do not exceed 59 km/h (36 mph) in the 1 position.

■ **Driving Tips**

▼ **Passing**

For extra power when passing another vehicle or climbing steep grades, depress the accelerator fully. The transmission will shift to a lower gear, depending on vehicle speed.

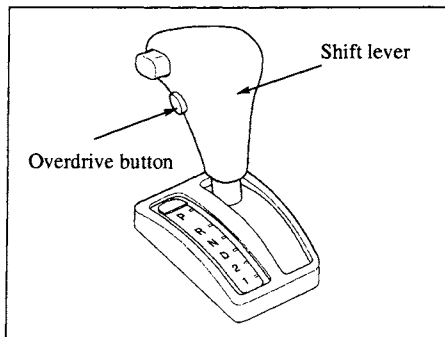
▼ **Climbing steep grades from a stop**

To climb a steep grade from a stopped position:

1. Depress the brake pedal.
2. Shift to D or 1 depending on the load weight and grade steepness.
3. Release all brakes while gradually accelerating.

▼ **Descending steep grades**

When descending a steep grade, shift to 2 or 1, depending on load weight and grade steepness. Descend slowly, using the brakes only occasionally to prevent them from overheating.



■ Overdrive

▼ Overdrive operation

In D, the transmission automatically shifts to overdrive, which improves fuel economy and reduces noise.

To allow engine braking when going down a steep grade, make sure the overdrive button is in the off position.

And for a smoother ride with less shifting, don't use it when:

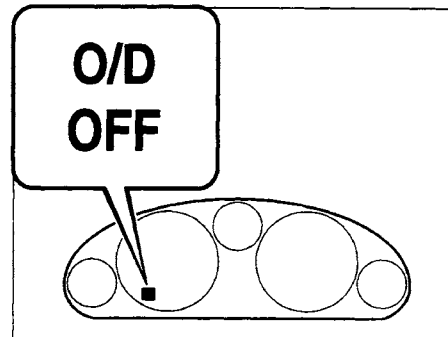
- Going up a steep grade.
- Driving in stop-and-go traffic.
- Pulling heavy loads.

To turn off the overdrive, push the button.

The transmission will then shift through a three-gear sequence in D.

Shift patterns without overdrive:

D = 1st, 2nd, 3rd
2 = 2nd
1 = 1st



▼ Overdrive-off indicator

This light comes on when the overdrive has been turned off.

⚠ CAUTION

If the overdrive-off indicator light flashes, the transmission has an electrical problem. Continuing to drive your Mazda in this condition could cause damage to your transmission. Consult an Authorized Mazda Dealer as soon as possible.

To turn it on, push the button again.

Shift patterns with overdrive:

D = 1st, 2nd, 3rd, 4th

2 = 2nd

1 = 1st

■ Shift-Lock System

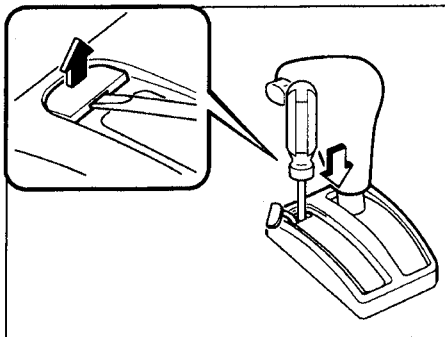
For your safety, **the automatic transmission has a shift-lock, which prevents shifting out of P unless the brake pedal is depressed.**

To shift from P:

1. Depress and hold the brake pedal.
2. Start the engine.
3. Push and hold the lock-release button.
4. Move the shift lever.

NOTE

- When the ignition switch is in the ACC or LOCK position, the transmission cannot be shifted from P.
- If the brake is pumped with the shift lever in P, a chattering noise near the shift lever may be heard. Don't worry, this is a normal sound.
- To be sure the vehicle is in park, **the ignition key cannot be removed unless the shift lever is in P.**



■ Shift-Lock Override

If the shift lever won't move from P with the brake pedal depressed, continue to hold down the pedal.

1. Remove the shift-lock override cover with a screwdriver.
2. Insert a screwdriver and push the lever down.
3. Push and hold the lock-release button.
4. Move the shift lever.

5. Take the vehicle to an Authorized Mazda Dealer to have the system checked.

Brake System

■ Foot Brake

Your Mazda has power-assisted brakes that adjust automatically through normal use.

Should power assist fail, you can stop by applying greater force than normal to the brake pedal. But the distance required to stop will be greater than usual.

WARNING

Driving with the Engine Off:

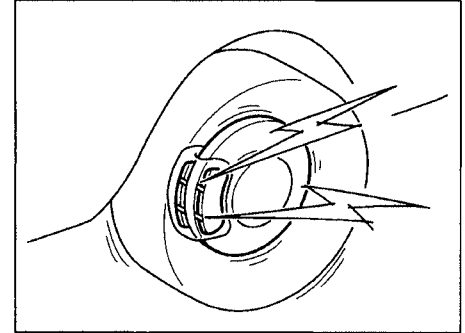
Continuing to drive when the engine is stalled or turned off is dangerous. Braking will require more effort, and the brake's power assist could be depleted if you pump the brake. This will cause longer stopping distances or even an accident. Don't continue driving when the engine is stalled or turned off, find a safe place to stop.

⚠ WARNING**Riding the Brakes:**

Driving with your foot continuously on the brake pedal or steadily applying the brakes for long distances is dangerous. This causes overheated brakes, resulting in longer stopping distances or even total brake failure. This could cause loss of vehicle control and a serious accident. Avoid continuous application of the brakes. Shift to a lower gear when going down steep hills.

⚠ WARNING**Driving with Wet Brakes:**

Driving with wet brakes is dangerous. Increased stopping distance or the vehicle pulling to one side when braking could result in a serious accident. Light braking will indicate whether the brakes have been affected. Dry the brakes by driving very slowly and applying the brakes lightly until brake performance is normal.

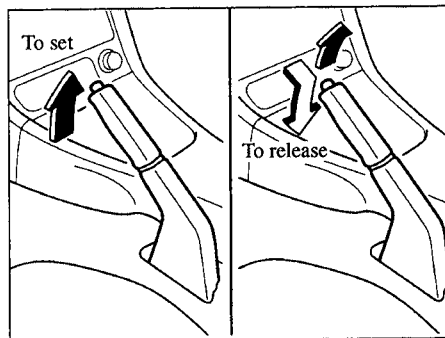
**■ Brake Pad Wear Indicator**

When the disc brake pads become worn, the built-in wear indicators contact the disc plates. This causes a screeching noise to warn that the pads should be replaced.

When you hear this noise, consult an Authorized Mazda Dealer as soon as possible.

⚠ WARNING

Driving with Worn Disc Pads:
Driving with worn disc pads is dangerous. The brakes could fail and cause a serious accident. As soon as you hear a screeching noise consult an Authorized Mazda Dealer.



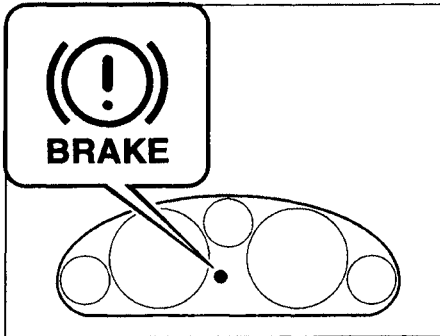
⚠ CAUTION

Driving with the parking brake on will cause excessive wear of the brake linings or pads.

■ Parking Brake

To set the parking brake, depress the brake pedal; then pull the brake handle fully upward.

To release it, pull the handle up and press the button. Depress the brake pedal; then lower the handle to the release position while holding in the button. Release the pedal when it's safe to do so.



■ Brake System Warning Light

If the brake warning light stays on after the parking brake is fully released, the brake system has a malfunction. Refer to Warning Lights/Beeps (page 5-26).

■ Antilock Brake System (ABS)*

The ABS control unit continuously monitors the speed of each wheel. If one is about to lock up, the ABS responds by automatically releasing and reapplying that wheel's brake.

The driver will feel a slight vibration in the brake pedal and may hear a chattering noise from the brake system. This is normal when the ABS operates. Don't pump the brakes, continue to press down on the brake pedal.

NOTE

- If the ABS warning light stays on while you're driving, the ABS control unit has detected a system malfunction. If this occurs, your brakes will function normally as if the vehicle had no ABS. Should this happen, consult an Authorized Mazda Dealer as soon as possible.
- Braking distances may be longer on loose surfaces (snow or gravel, for example) which usually have a hard foundation. A vehicle with a normal braking system may require less distance to stop under these conditions because the tires will build up a wedge of surface layer when the wheels skid.

 **WARNING**

ABS:

The ABS cannot compensate for unsafe and reckless driving, excessive speed, tailgating (following another vehicle too closely), and hydroplaning (reduced tire friction and road contact because of water on the road surface). You can still have an accident. So don't rely on ABS as a substitute for safe driving.

NOTE

When the engine is jump-started, an unevenness of rpm occurs and the ABS warning light comes on. This is due to a lack of battery capacity and doesn't indicate a malfunction.

Have the battery recharged as soon as possible.

Power Steering

Power steering is only operable when the engine is running. If the engine is off or if the power steering system is inoperable, you can still steer, but it requires more physical effort.

If the steering feels rigid during normal driving, consult an Authorized Mazda Dealer.

 **CAUTION**

Never hold the steering wheel to the extreme left or right for more than five seconds with the engine running. This could damage the power steering system.

Cruise Control*

With cruise control, you can set and automatically maintain any speed of more than about 40 km/h (25 mph).

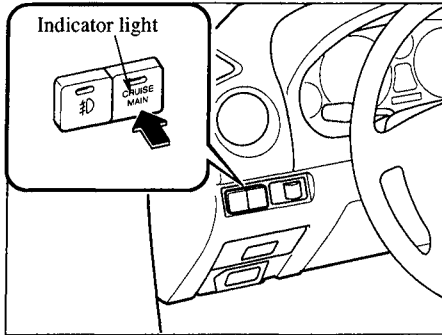
 **WARNING**

Cruise Control Use:

Using cruise control in the following conditions could cause you to lose control of the vehicle:

- *Heavy or unsteady traffic*
- *Slippery or winding roads*
- *Similar restrictions that require inconsistent speed*

Don't use cruise control in these situations.

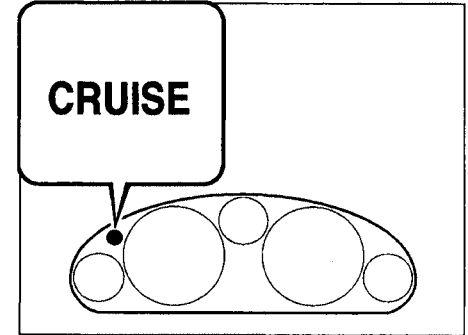


To activate the system, push the CRUISE MAIN switch. The indicator light comes on.

To deactivate the system, push the OFF switch. The light goes off.

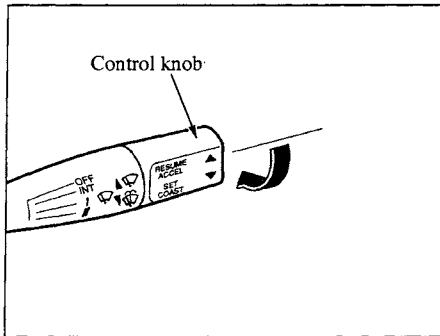
⚠ WARNING

Cruise Main Switch:
Leaving the CRUISE MAIN switch on when not using the cruise control is dangerous as it may be switched on accidentally. This could result in loss of vehicle control. Keep the CRUISE MAIN switch off when cruise control is not in use.



■ **Cruise Set Indicator Light**

The cruise set indicator comes on when a cruising speed is set.



■ To Set Speed

1. Turn on the CRUISE MAIN switch.
2. Accelerate to the desired speed, which must be more than 40 km/h (25 mph).
3. Turn the control knob downward to SET/COAST and release it at the speed you want. Release the accelerator at the same time.

Don't continue to hold the knob. Until you release it, speed will continue to drop (unless you continue to accelerate) and you'll miss the desired speed.

NOTE

- The SET function can't be activated until about 2 seconds after the CRUISE MAIN switch has been engaged.
- On a steep grade, the vehicle may momentarily slow down going up or speed up while going down.

■ To Cancel

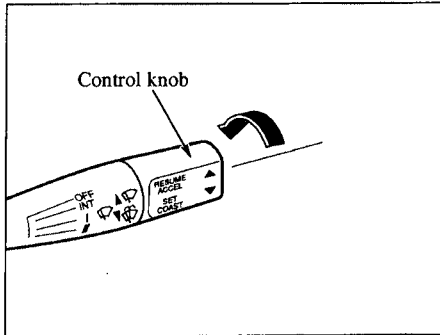
To turn off the system, use **one** of these methods:

- Press the CRUISE MAIN switch.
- Slightly depress the brake pedal.
- **(Manual transmission)**
Depress the clutch pedal.

The system is off when the ignition is off.

NOTE

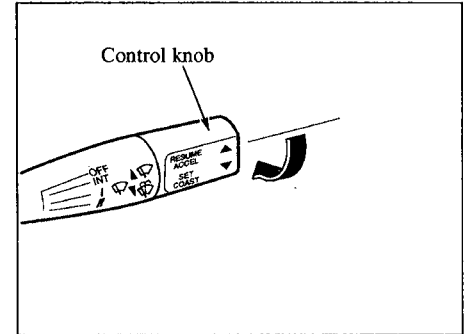
Cruise control will cancel at about 15 km/h (9 mph) below the preset speed or below 40 km/h (25 mph).



■ **Accelerating with Cruise Control On**

Accelerate if you want to speed up temporarily when the cruise control is on. Greater speed will not interfere with it or change the set speed.

Take your foot off the accelerator to return to the set speed.



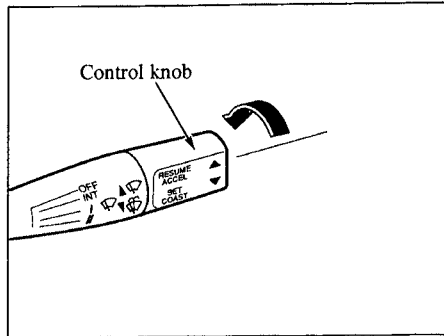
■ **To Increase Cruising Speed**

Follow either of these procedures.

- 1. Turn the control knob toward RESUME/ACCEL and hold it. Your vehicle will accelerate.
- 2. Release the knob at the desired speed.
- 1. Accelerate to the desired speed.
- 2. Turn the control knob downward to SET/COAST and release it immediately.

■ **To Decrease Cruising Speed**

1. Turn the control knob down toward SET/COAST and hold it there. The vehicle will gradually slow.
2. Release the knob at the speed you want.



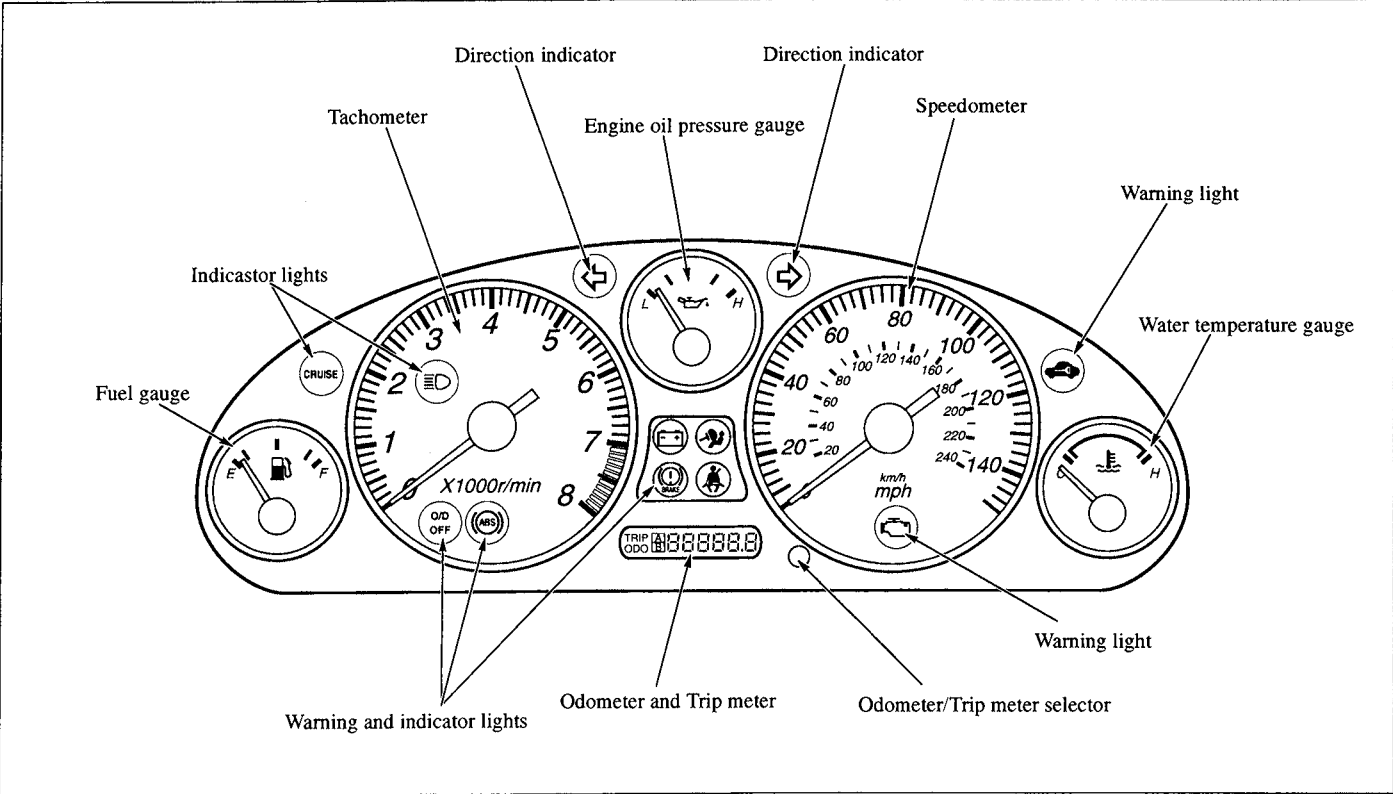
NOTE

With an automatic transmission vehicle, the gear is automatically selected when going uphill.

■ To Resume Cruising Speed at More Than 40 km/h (25 mph)

If something besides the CRUISE MAIN was used to cancel cruising speed and the system is still activated, the most recent set speed will automatically resume when the control knob is moved up to the RESUME/ACCEL position, then released. If vehicle speed is below 40 km/h (25 mph), increase the vehicle speed up to 40 km/h (25 mph) and move the control knob up to the RESUME/ACCEL position.

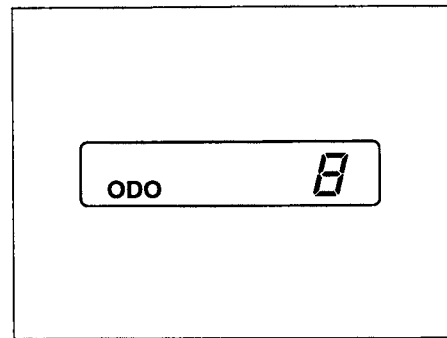
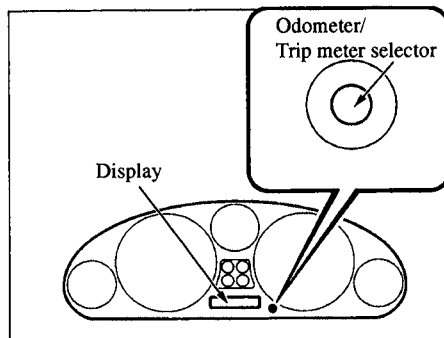
Instrument Cluster



Gauges

■ Speedometer

The speedometer indicates the speed of the vehicle.



■ Odometer and Trip Meter

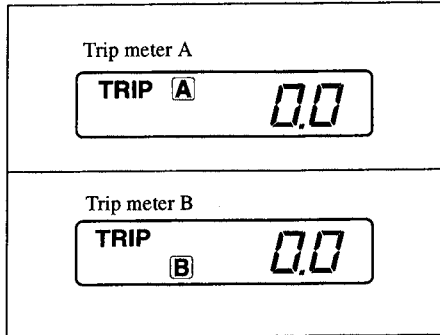
The ignition switch must be in the ON position.

The display mode can be changed from odometer to trip meter A to trip meter B and then back to odometer by pressing the selector. The selected mode will be displayed.

▼ Odometer

When this mode is selected, ODO will be displayed.

The odometer records the total distance the vehicle has been driven.



▼ Trip meter

The trip meter can record the total distance of two trips. One is recorded in trip meter A, and the other is recorded in trip meter B.

For instance, trip meter A can record the distance from the point of origin, and trip meter B can record the distance from where the fuel tank is filled.

When trip meter A is selected, pressing the selector again within one second will change the trip meter to B mode.

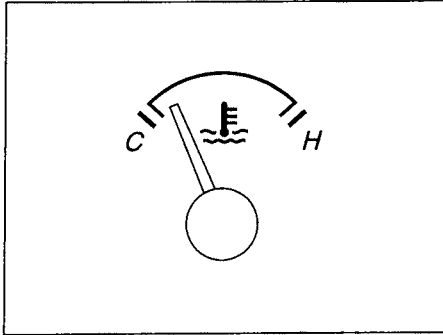
When trip meter A is selected, TRIP A will be displayed. When trip meter B is selected, TRIP B will be displayed.

The trip meter records the total distance the vehicle is driven until the meter is again reset. Return it to "0.0" by holding the selector depressed for more than 1 second.

Use this meter to measure trip distances and to compute fuel consumption.

NOTE

- Only the trip meters record tenths of kilometers (miles).
- The trip record will be erased when;
 - The power supply is interrupted (blown fuse or the battery is disconnected).
 - The vehicle is driven over 999.9 km (mile).



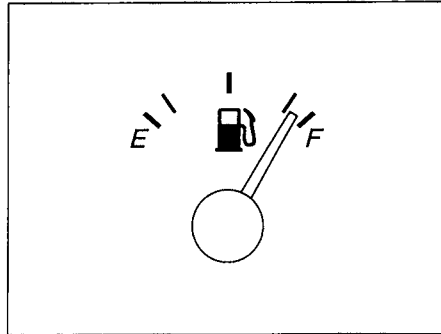
■ Water Temperature Gauge

The water temperature gauge shows the temperature of the engine coolant.

If the needle exceeds normal range toward H, it indicates overheating.

CAUTION

Driving with an overheated engine can cause serious engine damage (page 6-2).

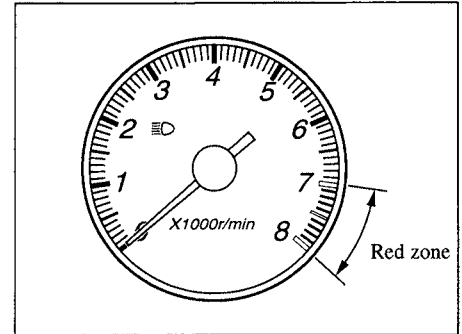


■ Fuel Gauge

The fuel gauge shows approximately how much fuel is in the tank. We recommend keeping the tank over 1/4 full. When the needle is near E, refuel as soon as possible.

NOTE

This gauge continues to show how much fuel is left even when the ignition switch is off.



■ Tachometer

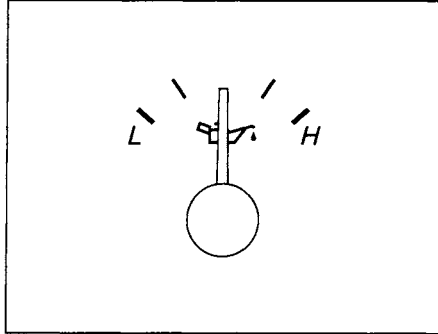
The tachometer shows engine speed in thousands of revolutions per minute (rpm).

Use it while selecting shift points and to prevent lugging and overrevving.

⚠ CAUTION

Don't run the engine with the tachometer needle in the RED ZONE.

This may cause severe engine damage.

**■ Engine Oil Pressure Gauge**

Engine oil pressure is normal when the engine oil pressure gauge needle points halfway between L and H with the engine running.

If the needle on the gauge doesn't move after starting the engine, follow steps 1 through 3.

If the engine oil pressure gauge moves to L (low) while you are driving, drive to the side of the road and park off the right-of-way. Set the parking brake. Then

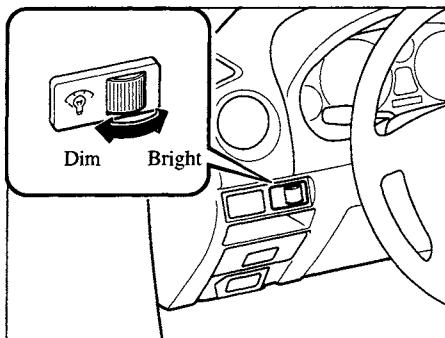
follow steps 1 through 3.

1. Turn off the engine and inspect the engine oil level (page 8-13). If it's low, add oil.
2. Start the engine.
3. If the needle still doesn't move, get a tow to the nearest service station or to an Authorized Mazda Dealer.

⚠ CAUTION

Don't run the engine if the oil pressure is low. It could result in extensive engine damage.

Dashboard Illumination



When the parking lights or headlights are on, rotate the thumb-wheel to adjust the brightness of the dashboard lights.

Warning Lights/Beeps

■ Warning Lights Inspection

Inspect the warning lights by turning the ignition switch to the ON position with the engine off and the parking brake on. Consult an Authorized Mazda Dealer about any light that doesn't come on.

If the brake system warning light is off when the ignition switch is in the START position, have the system inspected by an Authorized Mazda Dealer.

After starting the engine, make sure all warning lights are off. If one stays on, it's signaling for attention.

The brake system warning light should go off when the parking brake is released.

■ **Brake System Warning Light**



This warning light comes on when the ignition switch is turned to the ON position. When the parking brake is not applied, it goes out after about 2 seconds.

This warning has the following functions:

▼ **Parking brake warning**

The light comes on when the parking brake is applied with the ignition switch in the START or ON position. It goes off when the parking brake is fully released.

▼ **Low brake fluid level warning/Electronic brake force distribution system warning**

If the light stays on after the parking brake is fully released, you may have a brake problem.

Drive to the side of the road and park off the right-of-way.

Low brake fluid level warning

You may notice that the pedal is harder to push or that it may go closer to the floor. In either case, it will take longer to stop the vehicle.

1. With the engine stopped, check the brake fluid level immediately and add fluid as required (page 8-18).
2. After adding fluid, check the light again.

If the warning light remains on, or if the brakes do not operate properly, do not drive the vehicle. Have it towed to an Authorized Mazda Dealer.

Even if the light goes off, have your brake system inspected as soon as possible.

Electronic brake force distribution system warning*

If the electronic brake force distribution control unit determines that some components are operating incorrectly, the control unit may turn the brake system warning light on.

In this case, the ABS warning light comes on at the same time. (page 5-30)

⚠ WARNING

Brake Warning Light:
Driving with the brake system warning light on is dangerous. It indicates that your brakes may not work at all or that they could completely fail at any time. If this light remains on, have the brakes inspected immediately. Don't drive with this light on, and contact an Authorized Mazda Dealer to have the brakes inspected as soon as possible.

 **WARNING**

ABS Warning Light and Brake Warning Light on at the Same Time:
*Driving when the brake system warning light and ABS warning light are on at the same time is dangerous. When both lights are on, the rear wheels could lock more quickly in an emergency stop than under normal circumstances.
Don't drive with both lights on, and contact an Authorized Mazda Dealer to have the brakes inspected as soon as possible.*

■ **Seat Belt Warning Light/Beep**



If the driver's seat belt is not fastened when the ignition switch is turned to the ON position, a beep will sound for about 6 seconds and the seat belt warning light will remain on until the belt is fastened.

If the system does not operate correctly, consult an Authorized Mazda Dealer.

■ **Charging System Warning Light**



This warning light indicates a malfunction of the alternator or of the charging system.

If the light comes on while driving:

1. Drive to the side of the road and park off the right-of-way.
2. Turn off the engine. Inspect the alternator drive belt for looseness and breakage.
3. If it's OK, the charging system has a problem. Consult an Authorized Mazda Dealer as soon as possible.

 **CAUTION**

Don't drive with a loose or broken alternator belt. The engine could overheat because this belt also drives the water pump.

■ **Check Engine Light**

If this light comes on while driving, the vehicle may have a problem. It is important to note the driving conditions when the light came on and consult an Authorized Mazda Dealer.



The check engine light may come on in the following cases:

- The fuel tank level being very low or approaching empty.
- The engine's electrical system has a problem.
- The emission control system has a problem.
- A ROOM fuse blows or is removed.
- The fuel-filler cap is missing or not tightened securely.

If the check engine light flashes continuously, decrease your speed and consult an Authorized Mazda Dealer as soon as possible.

■ Antilock Brake System (ABS) Warning Light*



The warning light stays on for a few seconds when the ignition switch is turned to the ON position.

If the ABS warning light stays on while you're driving, the ABS control unit has detected a system malfunction. If this occurs, your brakes will function normally as if the vehicle had no ABS. Should this happen, consult an Authorized Mazda Dealer as soon as possible.

WARNING

**ABS Warning Light and Brake
Warning Light on at the Same Time:**

Driving when the brake system warning light and ABS warning light are on at the same time is dangerous. When both lights are on, the rear wheels could lock more quickly in an emergency stop than under normal circumstances.

Don't drive with both lights on, and contact an Authorized Mazda Dealer to have the brakes inspected as soon as possible.

NOTE

When the engine is jump-started to charge the battery, uneven rpm occurs and the ABS warning light comes on. This is due to a weak battery, not a malfunction.

Recharge the battery.

■ Supplemental Restraint System Warning Light



If the supplemental restraint system is OK, the warning light comes on when the ignition switch is turned to the ON position or after the engine is cranked. After about 6 seconds it goes out.

A system malfunction is indicated when this light constantly flashes, stays on or doesn't come on at all. If one of these occur, consult an Authorized Mazda Dealer as soon as possible. The system may not work in an accident.

WARNING

Self-Servicing the Supplemental Restraint System:

Self-servicing or tampering with the supplemental restraint system is dangerous. The air bags could accidentally activate or become disabled. This could cause serious injuries. Never tamper with the supplemental restraint system and always have an Authorized Mazda Dealer perform all servicing and repairs.

■ Ignition Key Reminder

If the ignition switch is in the LOCK or ACC position, a beep will sound when any door is opened.

■ Lights-On Reminder

If lights are on and the key is removed from the ignition switch, a beep will sound when any door is opened.

■ Headlight High-Beam Indicator Light



This light indicates one of two things:

- The high-beam headlights are on.
- The turn-signal lever is in the flash-to-pass position.

■ O/D OFF Indicator Light (Automatic Transmission)



This light comes on when the overdrive has been turned off.

CAUTION

If the overdrive-off indicator light flashes, the transaxle has an electrical problem. Continuing to drive your Mazda in this condition could cause damage to your transaxle. Consult an Authorized Mazda Dealer as soon as possible.

■ Cruise Set Indicator Light*



This light comes on when a cruising speed is set.

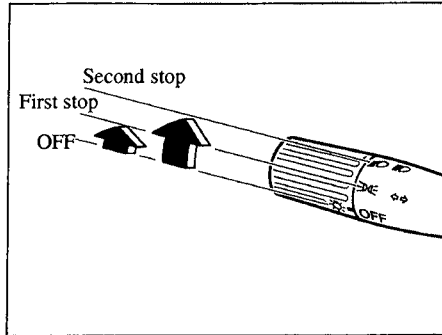
■ Immobilizer System Warning Light



If the immobilizer system is working properly, the light will come on when the ignition switch is turned to the START position. The light will go out when the engine starts.

If the light flashes rapidly, fails to come on, or comes on and stays on, it indicates a system malfunction. If any of these occur, contact an Authorized Mazda Dealer as soon as possible.

Lighting Control and Turn Signals



■ Headlights

To turn on the lights, turn the knob on the end of the control lever.

The first stop turns on the taillights, dashboard lights, parking lights, license lights, and side-marker lights.

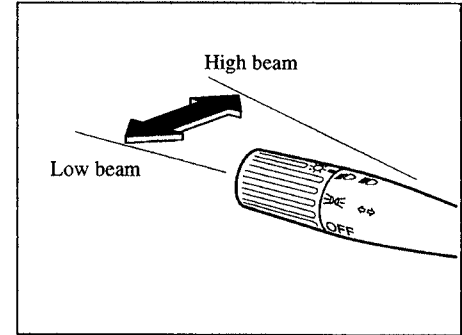
The second stop turns on the headlights, taillights, dashboard lights, parking lights, license lights, and side-marker lights.

▼ Lights-on reminder

If lights are on and the key is removed from the ignition switch, a beep will sound when any door is opened.

NOTE

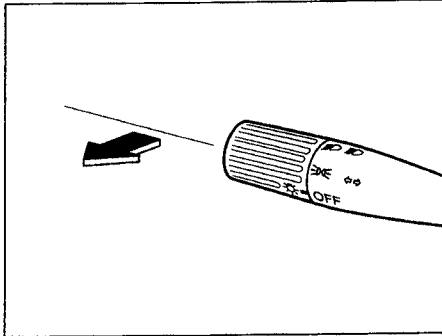
To prevent discharging the battery, don't leave the lights on while the engine is off.



▼ Headlight high-low beam

Push the lever forward for high beams. Pull it back for low.

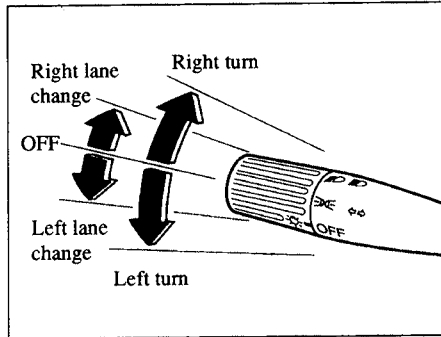
The high-beam indicator light on the dashboard is blue.



▼ Flashing the headlights

To flash the headlights, pull the lever fully toward you. The headlight switch need not be on, and the lever will return to the normal position when released.

The high-beam indicator light on the dashboard is blue.



■ Turn and Lane-Change Signals

▼ Turn signal

Move the signal lever down (for a left turn) or up (for a right turn) to the stop position. The signal will self-cancel after the turn is completed.

Green indicators on the dashboard show which signal is working.

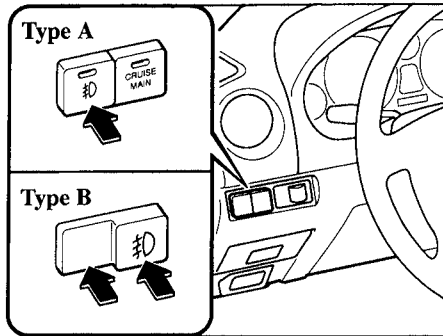
If the indicator light continues to flash after a turn, manually return the lever to its original position.

▼ Lane-change signals

Move the lever slightly toward the direction of the change—until the indicator flashes—and hold it there. It will return to the off position when released.

NOTE

If an indicator light stays on without flashing or if it flashes abnormally, the turn-signal bulb may be burned out.



■ Fog Lights*

Use this switch to turn on the fog lights. They help you to see as well as to be seen.

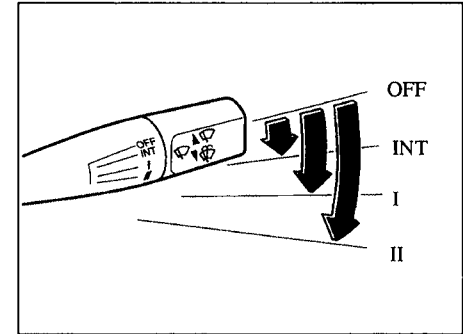
To turn on the fog lights, first turn on the headlight switch. Then press the fog light switch.

To turn the fog lights off:

(Type A)
Press it again or turn the headlights off.

(Type B)
Press the left part of the switch or turn the headlight off.

Windshield Wipers and Washer

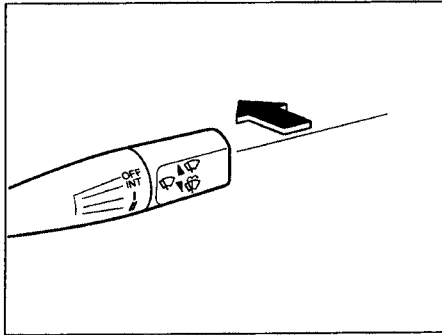


■ Windshield Wipers

The ignition switch must be in the ON position.

Turn the wipers on by pulling the lever down.

- INT — Intermittent
- 1 — Normal
- 2 — Fast



▼ **One-touch wipers**

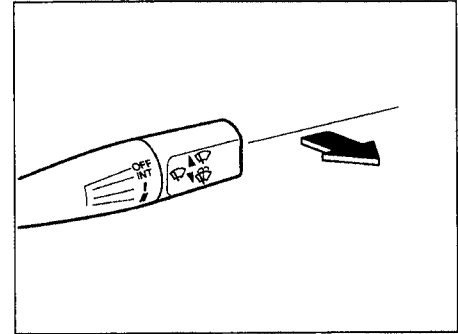
For a single wiping cycle, push the lever forward and release it.

NOTE

(Cold Spec)

Because heavy ice and snow can jam the wiper blades, the wiper motor is protected by a circuit breaker. This mechanism will automatically stop operation of the blades, but only for about 5 minutes.

If this happens, turn off the wiper switch and park off the right-of-way. After 5 minutes, turn on the switch and the blades should operate normally. If they don't, consult an Authorized Mazda Dealer as soon as possible.



■ **Windshield Washer**

The ignition switch must be in the ON position.

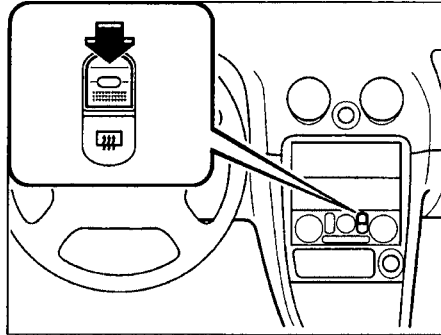
Pull the lever toward you and hold it to spray washer fluid. In the OFF or INT position, the wipers will be activated until the lever is released.

If the washer doesn't work, inspect the fluid level (page 8-24). If it's OK, consult an Authorized Mazda Dealer.

Rear Window Defroster

WARNING

Frozen Washer Fluid:
Using windshield washer fluid in freezing temperatures is dangerous. The washer fluid could freeze on the windshield and block your vision. You could have an accident. Don't use the washer without first warming the windshield.



The rear defroster clears frost, fog, and thin ice from the rear window.

The ignition switch must be in the ON position.

Push the switch to turn on the rear window defroster; the indicator light will come on.

Push the switch again to turn it off.

CAUTION

Don't use sharp instruments or window cleaners with abrasives to clean the inside of the rear window surface. They may damage the defroster grid inside the window.

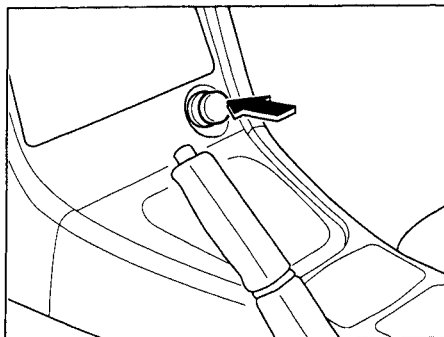
NOTE

This defroster is not designed for melting snow. If there is an accumulation of snow on the rear window, brush it off before using the defroster.

NOTE

The rear defroster shuts off when the ignition switch is turned off.

Lighter



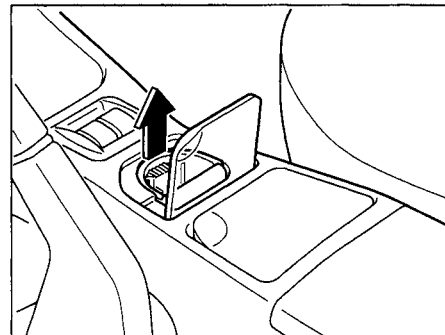
To operate the lighter, press it in and release it. When ready for use, it automatically pops out.

If the engine is off, the ignition switch must be in the ACC or ON position for the lighter to operate.

CAUTION

- Don't hold the lighter in because it will overheat.
- Don't use the lighter socket for plug-in accessories such as shavers and coffee pots. They may damage it or cause electrical failure. Use only a genuine Mazda lighter or the equivalent.
- If the lighter doesn't pop out within 30 seconds, remove it to prevent overheating.

Ashtray



To remove, open and pull up on the ashtray.

CAUTION

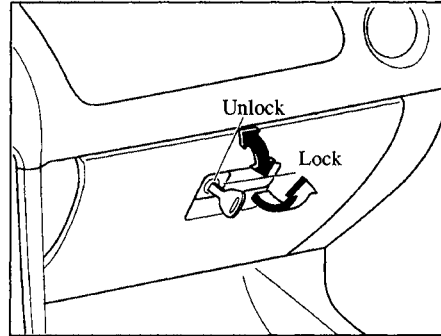
Don't use ashtrays for trash. You might start a fire.

Storage Compartments

WARNING

Open Storage Box:

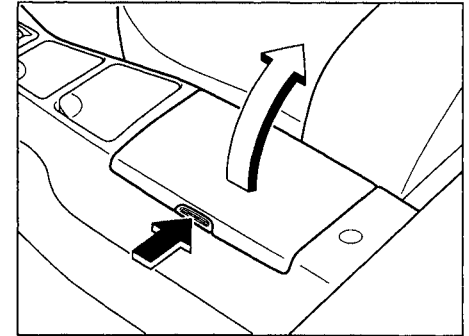
Driving with a storage box open is dangerous. To reduce the possibility of injury in an accident or a sudden stop, keep the storage boxes closed when driving.



■ **Glove Box**

To open the glove box, pull the latch toward you.

The door has a lock, insert the key and turn it clockwise to lock, counterclockwise to unlock.



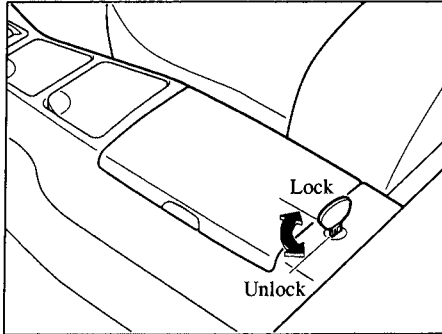
■ **Center Console**

To open the center console, push the knob and lift the cover.

CAUTION

In hot weather, don't leave combustible materials or objects which will deform in extreme heat such as lighters and glasses in the vehicle.

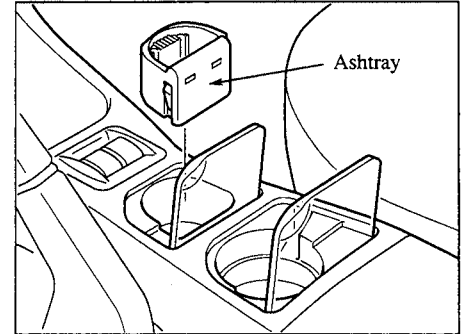
Cup Holder



The center console has lockable lid, insert the key into the slot; then turn the key clockwise to lock, counterclockwise to unlock.

WARNING

Using the Cup Holder:
Using the cup holder to hold hot liquids while the vehicle is moving is dangerous. If the contents spill, you could be scalded. Never use the cup holder to hold hot liquids while the vehicle is moving.



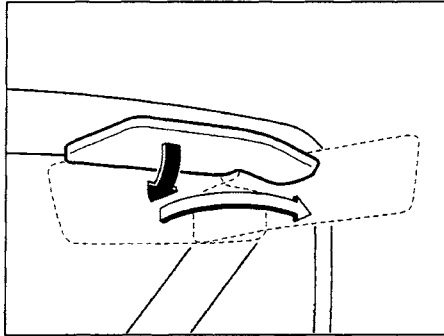
The cup holder is in the center console. To use it, open the cover.

Pull the ashtray out and use the hole for an additional cup holder.

CAUTION

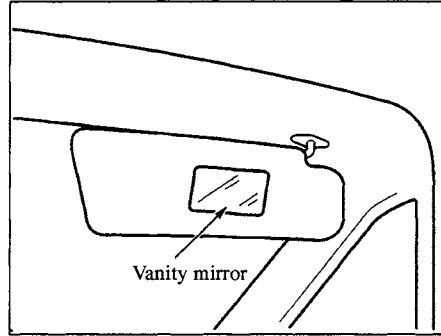
If your arm or elbow bumps into the cup while shifting, don't use the hole for an additional cup holder.

Sunvisors



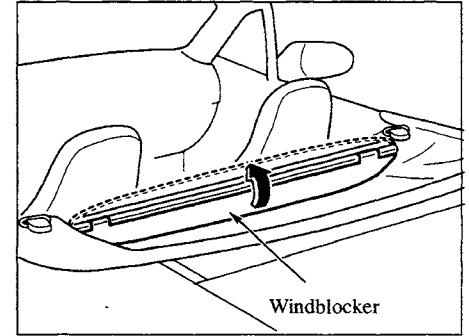
When you need a sunvisor, lower it for use in front or swing it to the side.

Vanity Mirror



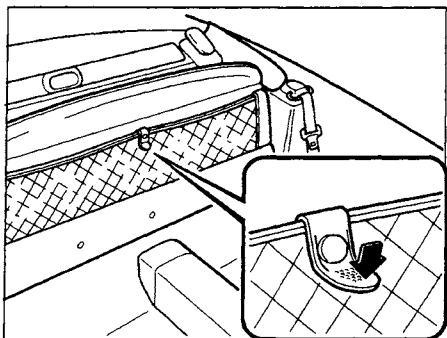
To use the vanity mirror, lower the sunvisor on the passenger's side.

Windblocker*



This windblocker prevents the wind from coming into the cabin from behind when driving with the top opened.

Mesh Pocket*



Maps or pamphlets can be placed in the mesh pocket.

Press the center fastener to release it.

CAUTION

Make sure the fastener is securely fastened when the top is open; otherwise, objects placed in the mesh pocket could be blown away by the wind.

Climate Control System

■ Operating Tips

▼ Operating the climate control system

Operate the climate control system with the engine running.

▼ Clearing the air inlet

Clear all obstructions like leaves, snow and ice from the hood and the air inlet in the cowl grille to improve the system efficiency.

▼ Foggy windows

The windows may fog up easily in humid weather. Use the climate control system to defrost the windows.

To help defrost the windows, operate the air conditioner to dehumidify the air.

▼ Outside/Recirculated air position

Use the outside air position in normal conditions. The recirculated air position can be used temporarily when driving on dusty roads or for quick cooling of the interior.

▼ Parking in direct sunlight

If the vehicle has been parked in direct sunlight during hot weather, open the windows to let warm air escape, then run the climate control system.

▼ Not using for a long period

Run the air conditioner at least once a month to keep internal parts lubricated.


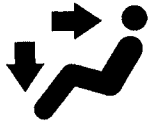



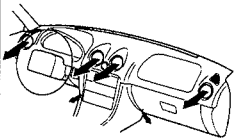
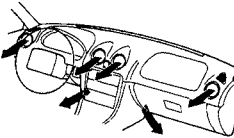
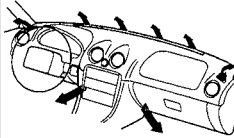
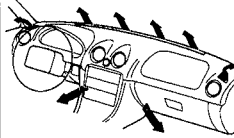
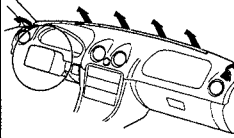
▼ Check the refrigerant before weather gets hot

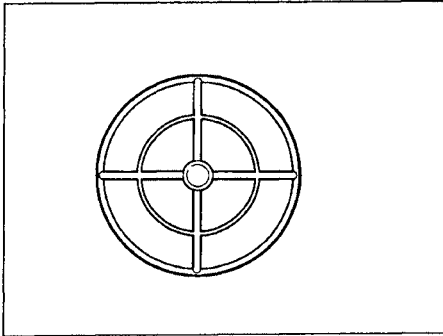
Have the air conditioner checked before the weather gets hot. Lack of refrigerant may make the air conditioner less efficient. Consult an Authorized Mazda Dealer for refrigerant inspection.

The optional air conditioner is filled with R134a, a refrigerant that will not damage the ozone layer. If the air conditioner is low on refrigerant or has a malfunction, consult an Authorized Mazda Dealer.

Driving Your Mazda

■ Selecting the Airflow Mode

Use	When you want air to the face:	When you want air to the face and the floor:	When you want air mainly to the floor:	When you want air to the floor and defrost the windshield:	When you want to defrost the windshield:
Mode					
Airflow					

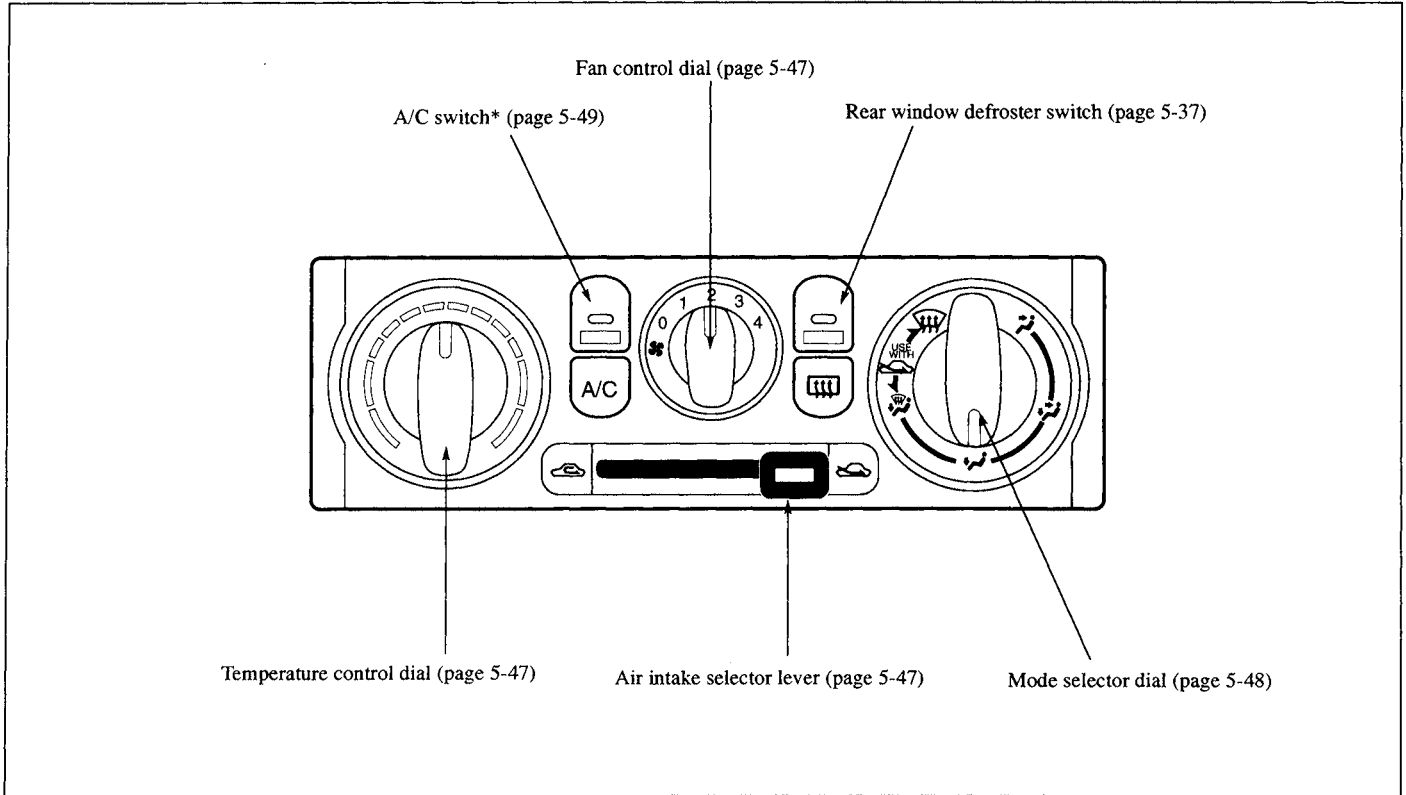


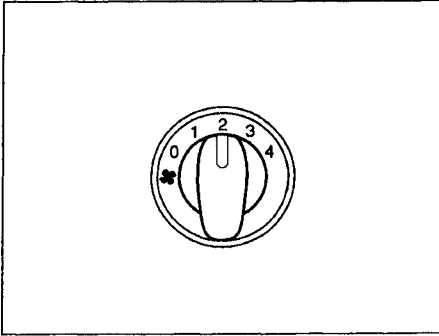
■ Vent Operation

▼ Directing airflow

You can direct air flow by moving the adjustment knob.

■ Control Panel

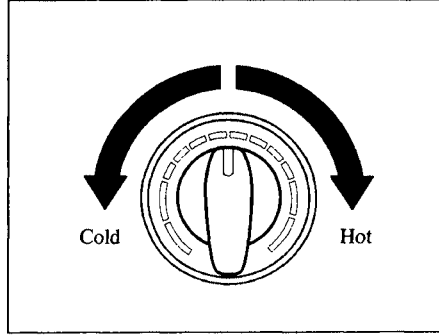




▼ Fan control dial

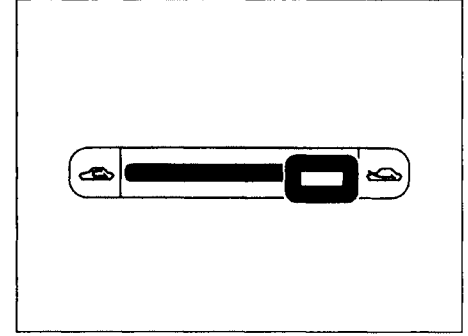
This dial allows variable fan speeds.

- 0 —Fan off
- 1 —Low speed
- 2 —Medium low speed
- 3 —Medium high speed
- 4 —High speed



▼ Temperature control dial

This dial controls temperature. Turn it clockwise for hot and counterclockwise for cold.



▼ Air intake selector lever

This lever controls the source of air entering the vehicle.

It is recommended that under normal conditions the lever be kept in the outside air position.

Outside air position



Outside air is taken into the vehicle. Use this position for normal ventilation and heating.

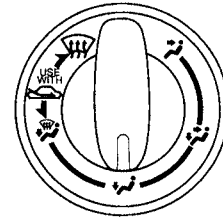
Recirculated air position

Outside air is shut off. Air within the vehicle is recirculated.

This position can be used when driving on a dusty road or in similar conditions. It also helps to provide quicker cooling of the interior.

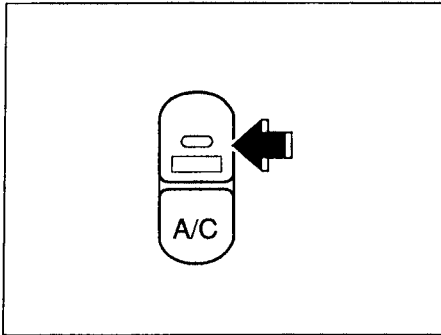
WARNING

The Recirculated Air Position:
Using the  position in cold weather will cause the glass to fog up. Your vision will be hampered, which could lead to a serious accident. Do not use the  position in cold weather.



▼ Mode selector dial

Turn the mode selector dial to select airflow mode (page 5-44).



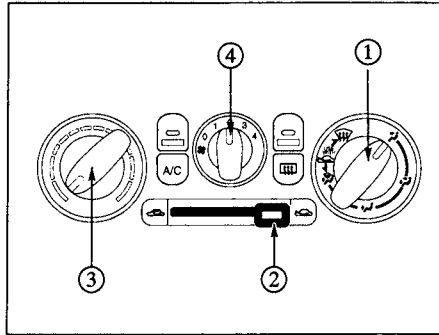
▼ A/C switch*

Push the switch to turn the air conditioner on. An indicator light on the switch will illuminate when the fan control dial is on.



Push the switch once again to turn the air conditioner off.

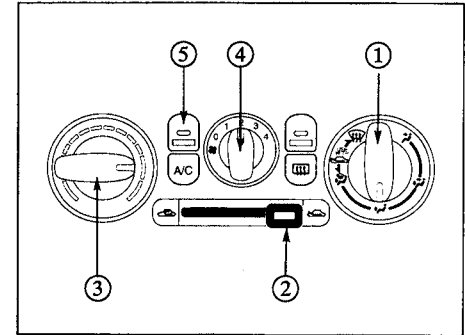
NOTE

The air conditioner may not function when the outside temperature approaches 0°C (32°F).





▼ Ventilation

1. Set the mode selector dial to the  position.
2. Set the air intake selector lever to the  position.
3. Set the temperature control dial to the desired position.
4. Set the fan control dial to the desired speed.





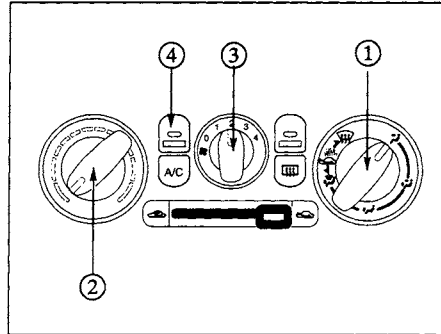
▼ Heating

1. Set the mode selector dial to the  position.
2. Set the air intake selector lever to the  position.
3. Set the temperature control dial to the hot position.
4. Set the fan control dial to the desired speed.


5. If dehumidified heating is desired, turn on the air conditioner.

NOTE

- If the windshield fogs up easily, set the mode selector dial to the  position.
- If cooler air is desired at face level, set the mode selector dial at the  position and adjust the temperature control dial to maintain maximum comfort.
- The air to the floor is warmer than air to the face (except when the temperature control dial is set at the extreme hot or cold position).



▼ Cooling (with air conditioner)*



1. Set the mode selector dial to the  position.
2. Set the temperature control dial to the desired position.
3. Set the fan control dial to the desired speed.
4. Turn on the air conditioner.

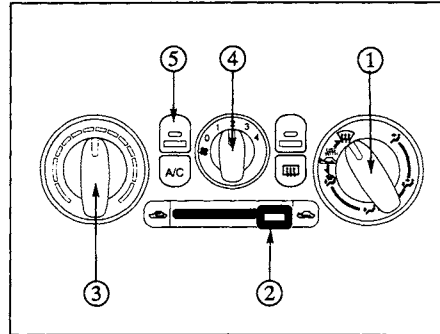
5. Adjust the fan control dial and temperature control dial to maintain maximum comfort.

CAUTION



When using the air conditioner while driving up long hills or in heavy traffic, closely monitor the temperature gauge. The air conditioner may cause engine overheating. If the gauge indicates overheating, turn the air conditioner off. (Refer to Overheating on page 6-2.)

NOTE

- When maximum cooling is desired, set the temperature control dial to the extreme cold position and set the air intake selector lever to the  position, then set the fan control dial to the position 4.
- If warmer air is desired at floor level, set the mode selector dial at the  position and adjust the temperature control dial to maintain maximum comfort.
- The air to the floor is warmer than air to the face (except when the temperature control dial is set at the extreme hot or cold position).





▼ **Windshield defrosting and defogging**

1. Set the mode selector dial to the  position.
2. Set the air intake selector lever to the  position.
3. Set the temperature control dial to the desired position.
4. Set the fan control dial to the desired speed.


5. For quick defrosting, turn on the air conditioner.

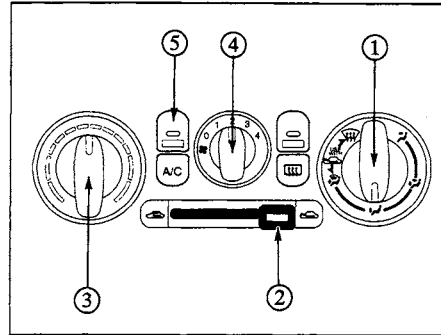
⚠ WARNING

Foggy Windshield:

Using the  position with the temperature control set to the cold position will cause the outside of the glass to fog up. Your vision will be hampered, which could lead to a serious accident. Set the temperature control to the hot or warm position when using the  position.

NOTE


- For maximum defrosting, turn on the air conditioner, set the temperature control dial to the extreme hot position and the fan control dial to position 4.
- If warm air is desired at the floor, set the mode selector dial to the  position.



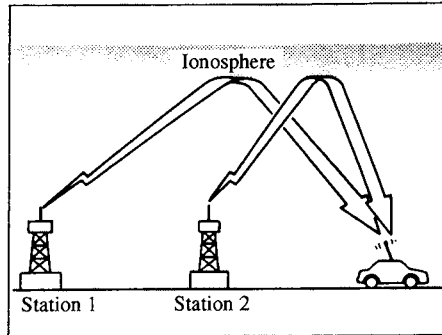
3. Set the temperature control dial to the desired position.
4. Set the fan control dial to the desired speed.
5. Turn on the air conditioner.

**▼ Dehumidifying
(with air conditioner)***

Operate the air conditioner in cool or cold weather to help defog the windshield and side windows.

1. Set the mode selector dial to the desired position.
2. Set the air intake selector lever to the  position.

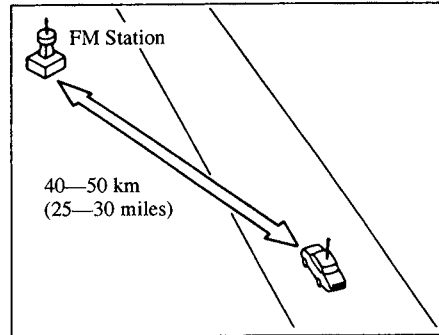
Radio Reception



■ AM Characteristics

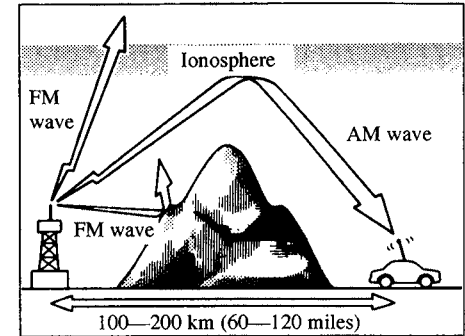
▼ Station mixing

AM signals bend around such things as buildings or mountains and bounce off the ionosphere. Therefore, they can reach longer distances than FM signals. Because of this, two stations may sometimes be picked up on the same frequency at the same time.



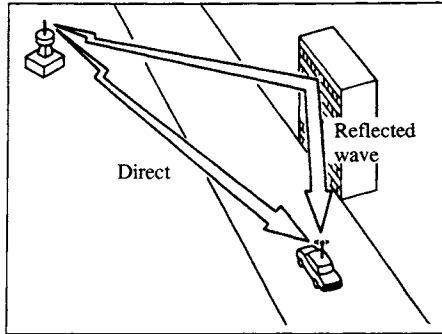
■ FM Characteristics

An FM broadcast range is usually about 40—50 km (25—30 miles) from the source. Because of extra coding needed to break the sound into two channels, stereo FM has even less range than monaural (non-stereo) FM.



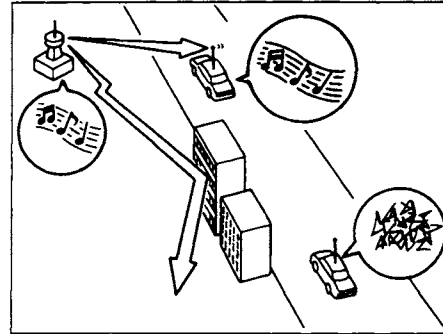
Signals from an FM transmitter are similar to beams of light because they do not bend around corners, but they do reflect. Unlike AM signals, FM signals cannot travel beyond the horizon. Therefore, FM stations cannot be received at the great distances possible with AM reception.

Atmospheric conditions can also affect FM reception. High humidity will cause poor reception. However, cloudy days may provide better reception than clear days.



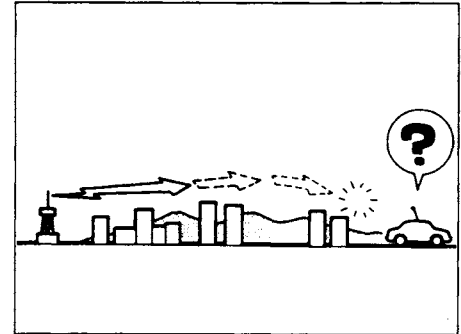
▼ Multipath noise

Since FM signals can be reflected by obstructions, it is possible to receive both the direct signal and the reflected signal at the same time. This causes a slight delay in reception and may be heard as a broken sound or a distortion. This problem may also be encountered when in close proximity to the transmitter.



▼ Flutter/Skip noise

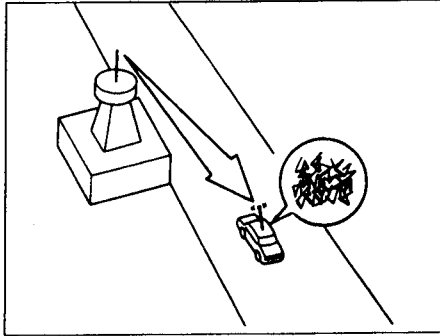
Signals from an FM transmitter move in straight lines and become weak in valleys between tall buildings, mountains, and other obstacles. When a vehicle passes through such an area, the reception conditions may change suddenly, resulting in annoying noise.



▼ Weak signal noise

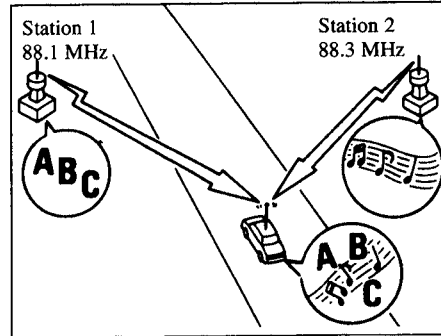
In suburban areas, broadcast signals become weak because of distance from the transmitter. Reception in such fringe areas is characterized by sound breakup.

Safety Certification



▼ Strong signal noise

This occurs very close to a transmitter tower. The broadcast signals are extremely strong, so the result is noise and sound breakup at the radio receiver.



▼ Station drift noise

When a vehicle reaches the area of two strong stations broadcasting at similar frequencies, the original station may be temporarily lost and the second station picked up. At this time there will be some noise from this disturbance.

This CD player is made and tested to meet exacting safety standards. It meets FCC requirements and complies with safety performance standards of the U.S. Department of Health and Human Services.

 **CAUTION**

- This CD player should not be adjusted or repaired by anyone except qualified service personnel. If servicing required, contact an Authorized Mazda dealer.
- Use of controls or adjustments or performance of procedures other than those specified herein may result in hazardous radiation exposure. Never operate the CD player with the top case of the unit removed.
- Changes or modifications not expressly approved by Mazda may void the user's authority to operate this equipment.

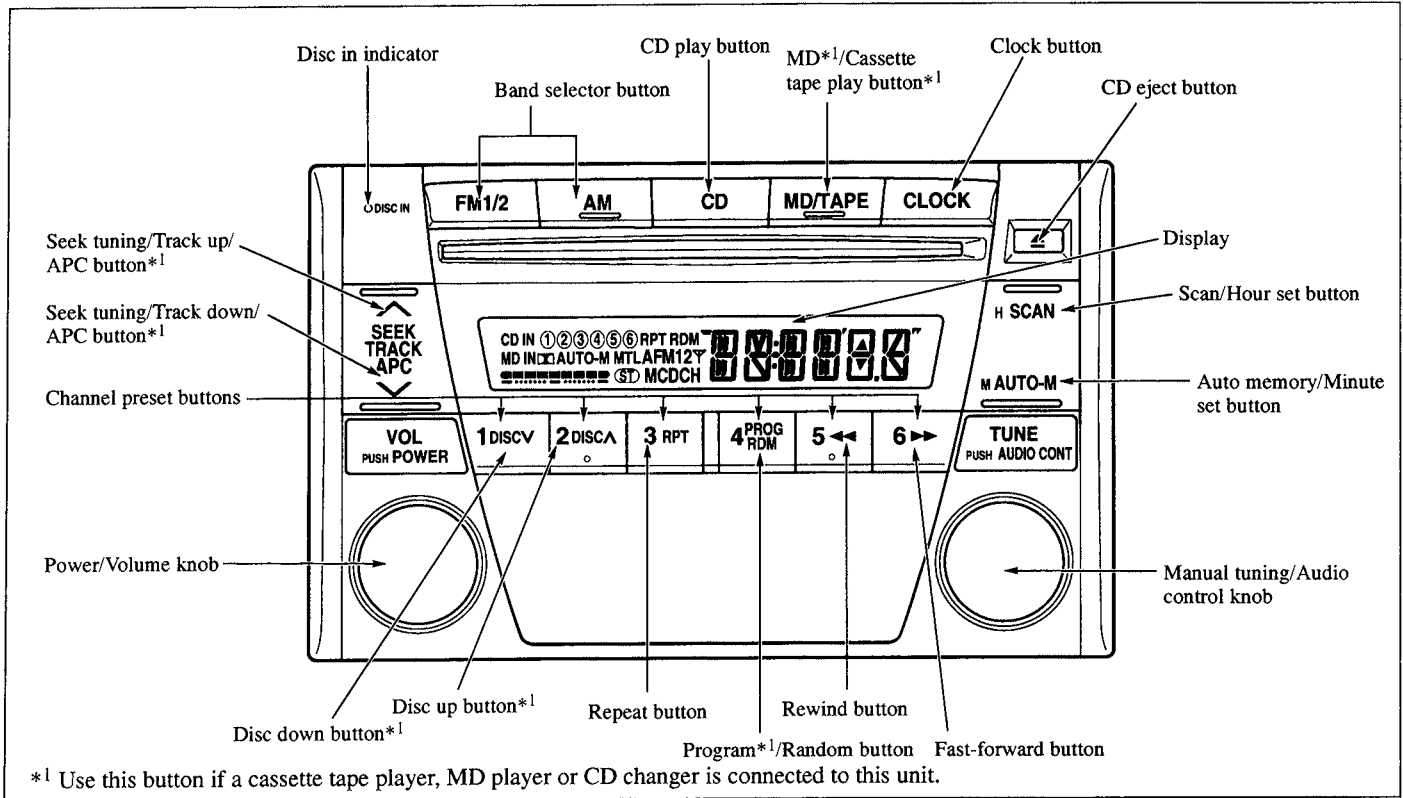
NOTE

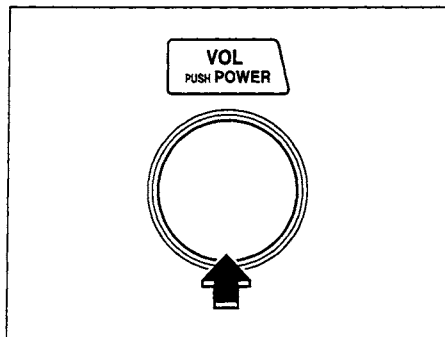
For CD player section:
This device complies with part 15 of the FCC Rules. Operation is subject to the following two conditions: (1) This device may not cause harmful interference, and (2) this device must accept any interference received, including interference that may cause undesired operation.

NOTE

This equipment has been tested and found to comply with the limits for a Class B digital device, pursuant to part 15 of the FCC Rules. These limits are designed to provide reasonable protection against harmful interference in a residential installation. This equipment generates, uses, and can radiate radio frequency energy and, if not installed and used in accordance with the instructions, may cause harmful interference to radio communications. However, there is no guarantee that interference will not occur in a particular installation.

AM/FM Radio with Compact Disc Player (Type A)*





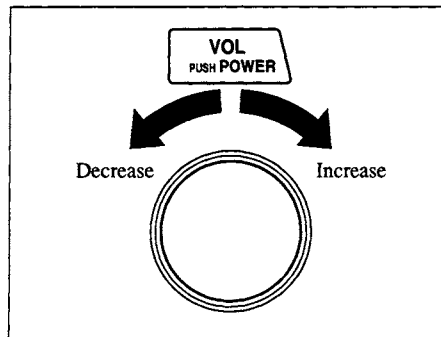
■ Power ON/OFF

Turn the ignition switch to the ACC or ON position.

Press the power/volume knob to turn the audio system on. Press the power/volume knob again to turn the audio system off.

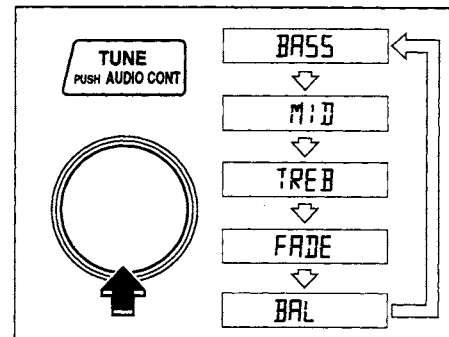
NOTE

To prevent the battery from being discharged, do not leave the audio system on for a long period when the engine is not running.



▼ Volume adjustment

Turn the power/volume knob to adjust the volume.

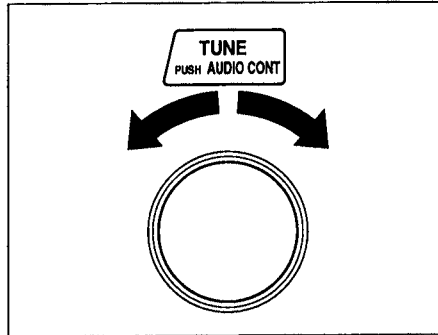


▼ Audio sound adjustment

1. Press the audio control knob to select bass, mid-range, treble, fade or balance control. The selected function will be indicated.

NOTE

About 5 seconds after selecting any mode, the volume function will be automatically selected. To reset bass, mid-range, treble, fade, and balance, press the audio control knob for 2 seconds. The unit will beep and “CL” will be displayed.



2. Turn the audio control knob to adjust the selected function; bass, mid-range, treble, fade or balance.

Bass control

To adjust the bass, select BASS by pressing the audio control knob. “BASS” will be displayed.

Turn the audio control knob to the right to increase bass, to the left to decrease it. The level will be displayed. Release the audio control knob when the desired level has been reached.

Mid-range control

To adjust the mid-range, select MID by pressing the audio control knob. “MID” will be displayed.

Turn the audio control knob to the right to increase mid-range, to the left to decrease it. The level will be displayed. Release the audio control knob when the desired level has been reached.

Treble control

To adjust the treble, select TREB by pressing the audio control knob. "TREB" will be displayed.

Turn the audio control knob to the right to increase treble, to the left to decrease it. The level will be displayed. Release the audio control knob when the desired level has been reached.

Fader control

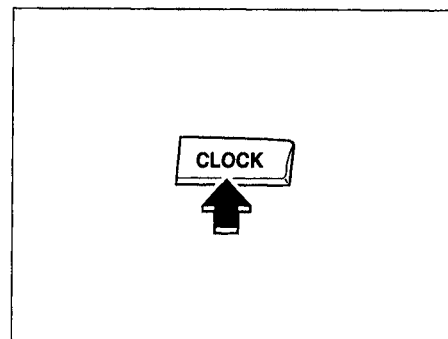
This vehicle is not equipped with rear speakers. Adjust the audio control knob, so the level is even.

Balance control

To adjust the sound distribution between left and right speakers, select BAL by pressing the audio control knob. "BAL" will be displayed.

Turn the audio control knob to the right to shift the sound to the right, to the left to shift the sound to the left. The level will be displayed.

Release the audio control knob when the desired level has been reached.

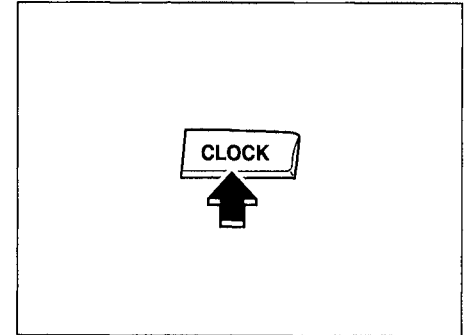
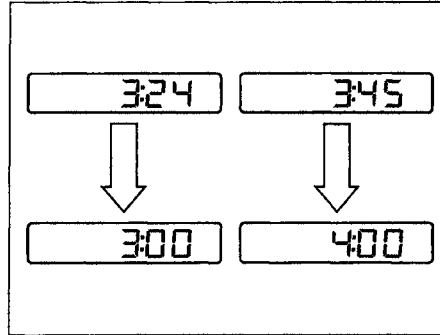
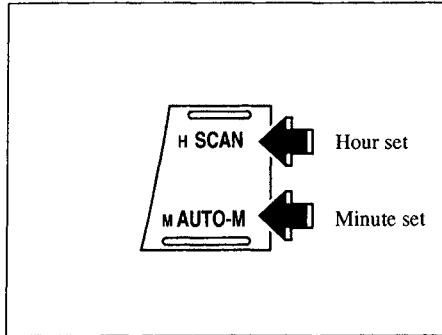


■ Clock

▼ Setting the time

The clock can be set at any time when the ignition switch is in the ACC or ON position.

1. To adjust the time, press the clock button for about 2 seconds until a beep is heard.
2. The clock's current time will flash until the time is set.



3. To advance the hours, press the hour set button (H) to advance the minutes, press the minute set button (M) while the time is flashing.
4. Press the clock button again to start the clock.

NOTE

If the power supply to the unit is interrupted (if the fuse blows or the vehicle's battery is disconnected), the clock will need to be reset.

NOTE

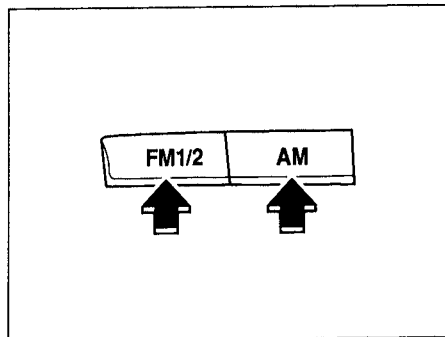
If the time is not adjusted while the clock's current time is flashing (if neither the H nor M is pressed), and the clock button is pressed a second time, the minutes will be set to 00. If the clock's current time setting is within the latter part of the hour (from 30 to 59 min), the hour setting will automatically advance one hour.

▼ **Changing the display mode**

The display on the unit can be changed by pressing the clock button. This alternates the display between time and audio. When the clock mode has been selected, the time will be displayed.

NOTE

If audio operation is selected while the time mode is on, the selected audio mode will be displayed for ten seconds, then the display will revert to the time mode.



■ Operating the Radio

To operate the radio, turn the ignition switch to the ACC or ON position.

▼ Radio ON

Press the AM or FM1/2 button to turn the radio on.

▼ Band selection

Choose AM by pressing the AM button and FM by pressing the FM1/2 button.

The selected mode will be indicated. If FM stereo is being received, "ST" will be displayed.

NOTE

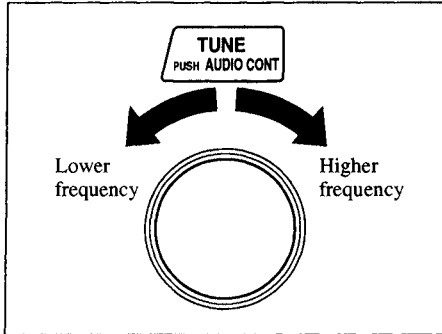
If the FM broadcast signal becomes weak, reception automatically changes from STEREO to MONO for reduced noise, and the "ST" indicator will go out.

▼ Tuning

The radio has the following tuning methods: Manual, Seek, Scan, Preset channel, and Auto memory tuning. The easiest way to tune stations is to set them on preset channels.

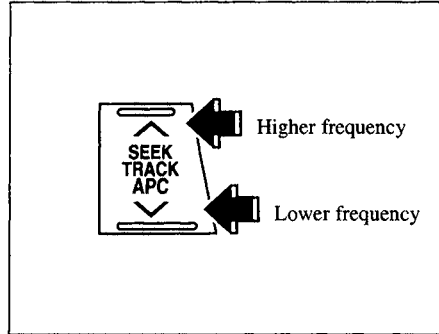
NOTE

If the power supply is interrupted (fuse blows or the battery is disconnected), the preset channels will be canceled.



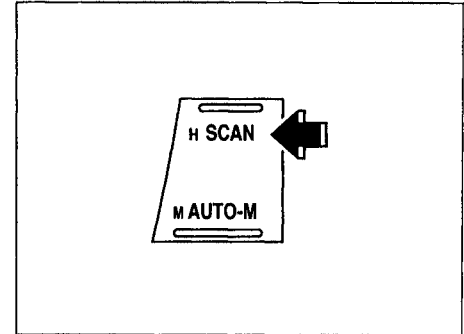
Manual tuning

Turning the manual tuning knob will change to a higher or lower frequency.



Seek tuning

Pressing the seek tuning button will cause the tuner to seek a higher or lower frequency automatically.

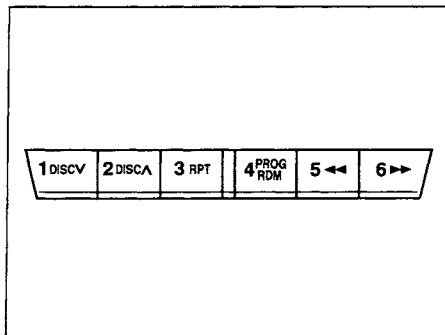


Scan tuning

Press the scan button to automatically sample strong stations. Scanning stops at each station for about 5 seconds. To hold a station, merely press the scan button again during this interval.

NOTE

If you continue to press and hold the button, the frequency will continue changing without stopping.



To tune one in the memory, select AM, FM1, or FM2 and then press its channel preset button. The station frequency and the channel number will be displayed.

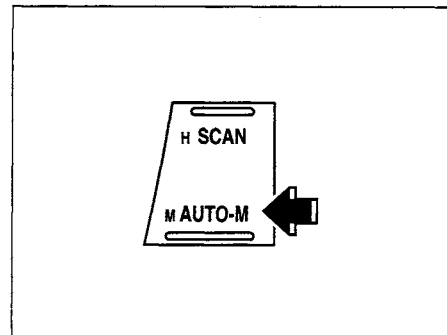
NOTE

If the power supply is interrupted (fuse blows or the battery is disconnected), the preset channels will be canceled.

Preset channel tuning

The six preset channels can be used to store 6 AM and 12 FM stations.

To set a channel first select AM, FM1, or FM2. Tune to the station you want and depress a channel preset button for about 2 seconds until a beep is heard. The preset channel number and station frequency will be displayed. The station is now held in the memory. Repeat this operation for the other stations and bands you want to store.



Auto memory tuning

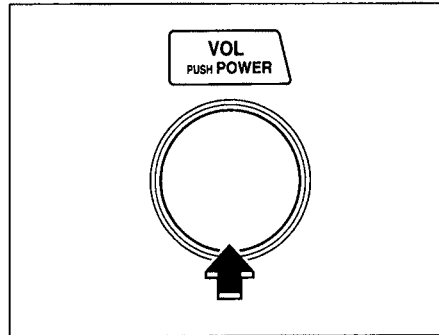
This is especially useful when driving in an area where the local stations are not known. Additional AM/FM stations can be stored without disturbing the previously set channels.

Press and hold the auto memory button for about 2 seconds until a beep is heard; the system will automatically scan and temporarily store the six strongest stations of each selected band in that area.

After scanning is completed, the strongest station will be tuned and its frequency displayed. Press and release the auto memory button to recall stations from the auto-stored stations. One stored station will be selected each time; its frequency and channel number will be displayed.

NOTE

If no stations can be tuned after scanning operations, "A" will be displayed.



▼ Radio OFF

Press the power/volume knob to turn off the radio.

NOTE

Press the power/volume knob again to listen to the frequency last tuned to.

■ Operating the Cassette Tape Player*

To operate the cassette tape player, turn the ignition switch to the ACC or ON position.

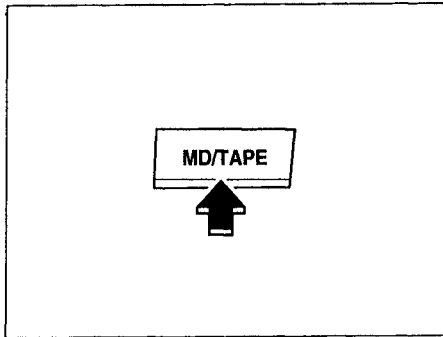
▼ Cassette tape insert

Insert the cassette tape into the slot, open edge to the right and cassette tape will begin play and "TAPE" will be displayed. At the end of the cassette tape, the unit automatically reverses cassette tape play.

When ▲ is lit, the cassette tape's top side is playing. When ▼ is lit, the bottom side is on.

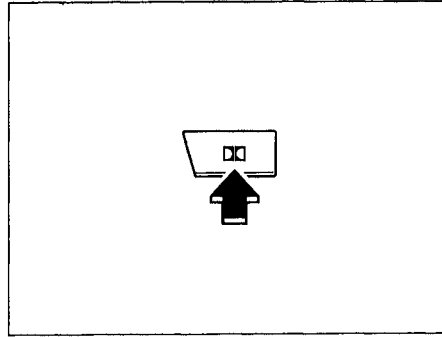
NOTE

When a metal tape is inserted, the player will automatically compensate for it and "MTL" will be displayed.





▼ **Playing**


Press the cassette tape play button to start playing when a cassette tape is in the unit. If there isn't a cassette tape in the unit when the cassette tape play button is pressed, "NO TAPE" will flash on and off in sequence.

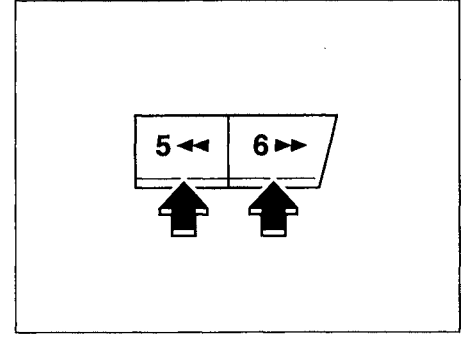


▼ **Dolby noise reduction**

When using a tape with Dolby NR*, push the  button. The  symbol will be displayed. To play a tape without Dolby NR, push the button once again.

* Noise reduction system manufactured under license from Dolby Laboratories Licensing Corporation.

Dolby and the double-D symbol  are trademarks of Dolby Laboratories Licensing Corporation.

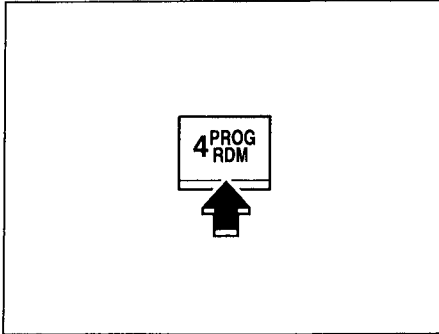


▼ **Fast forward/Rewind**

Press the fast-forward button to fast-forward. Press the rewind button to rewind. To stop this operation and play the cassette tape, press the button again.

NOTE

When the cassette tape ends during fast forward or rewind, it automatically stops and starts playing.

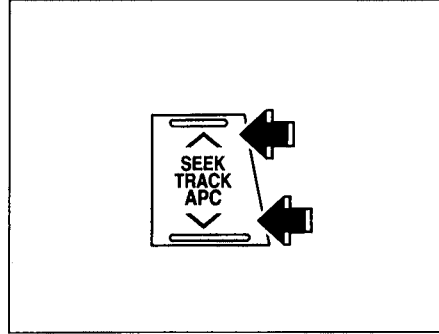


▼ Reversing

Press the program button to change cassette tape-playing direction.

NOTE

When the cassette tape ends, the unit automatically reverses play.



▼ APC (Automatic Program Control)

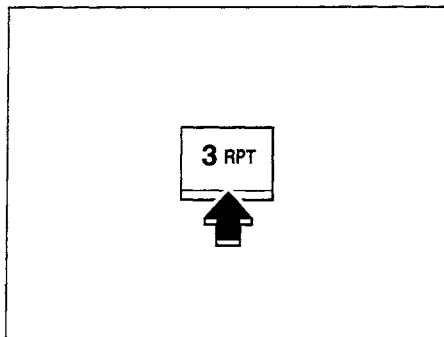
APC is used to find the beginning of either the next program or the one being played.

Press the APC button (^) to the beginning of the next selection. Press the APC button (v) to the beginning of the one being played. To stop this operation and play the cassette tape, press the button again.

If APC detects 15 seconds of blank space it will automatically advance the tape to the next selection.

NOTE

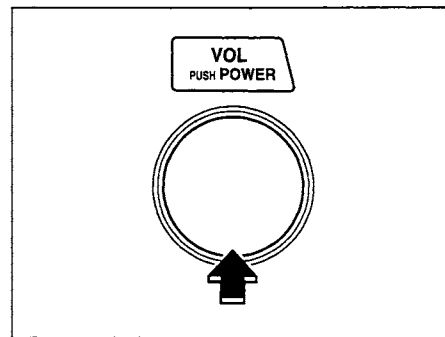
- APC may not operate properly if
- A tape was recorded at a low level.
 - A tape has long, silent intervals.
 - A tape is a live recording.
 - A tape has very short intervals of less than 3 seconds.



NOTE

RPT may not operate properly if

- A tape was recorded at a low level.
- A tape has long, silent intervals.
- A tape is a live recording.
- A tape has very short intervals of less than 3 seconds.



▼ Repeat play

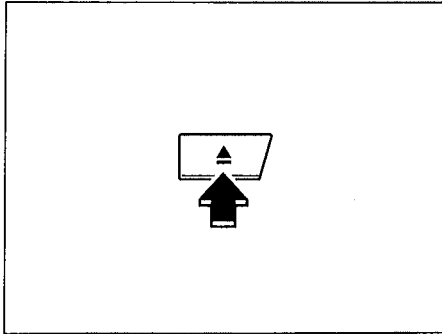
This operation makes it possible to listen to a selection repeatedly.

Press the repeat button during play. The current selection playing will be repeated ("RPT" will be displayed).

Press the repeat button once again to cancel repeat play.

▼ Stopping

Press the power/volume knob to stop cassette tape play.



▼ Ejecting the cassette tape

Press the cassette tape eject button to eject the cassette tape.

NOTE

The cassette tape can be ejected when the ignition switch is in the OFF position.

■ Operating Tips for Cassette Tape player

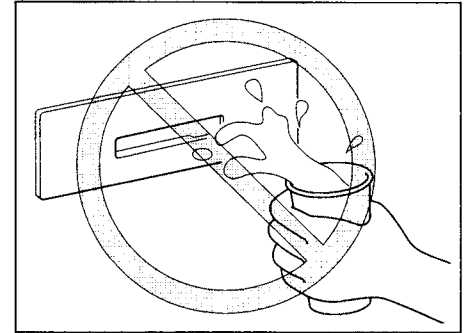
▼ Cleaning the cassette tape player

The tape head, capstans, and pinch rollers will gather oxide residue from cassette tapes. This can cause weak or wavering sounds and damage to the cassette tapes and player. Use a good quality head-cleaning tape or a liquid cleaner cassette tape to remove it.

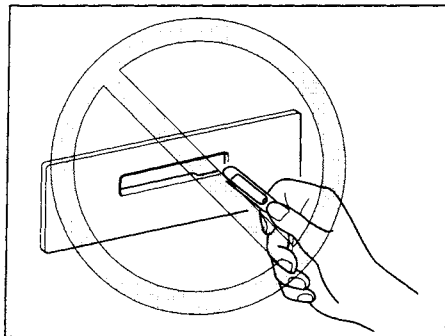
Should the unit not operate normally, consult an Authorized Mazda Dealer. Never attempt to repair it or insert a screwdriver or anything else.

▼ Handling the cassette tape player

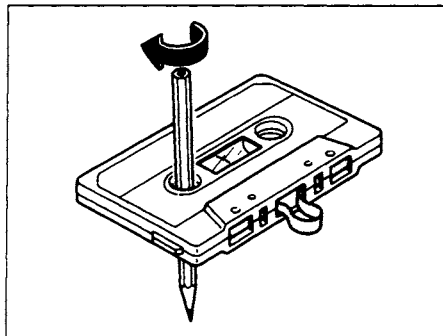
The following precautions should be observed.



- Do not spill any liquid on the audio system.



- Do not insert any objects, other than cassette tape, into the slot.



- If the cassette tape is loose, it may produce poor sound or performance during playback. Use a pencil or something similar to remove any slack.
- Only cassette tapes that play no longer than 90 minutes should be used. Cassette tape exceeding 90 minutes are thin and may easily break.

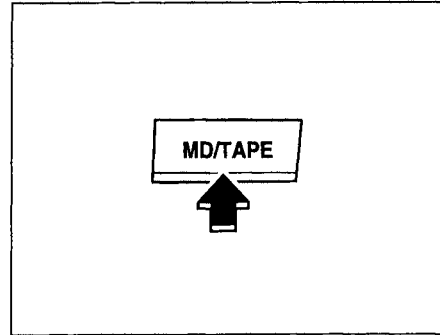
- Do not leave a cassette tape in the tape player slot when not in use. Remove it completely to permit the slot door to close and to protect the mechanism from dust.
- Store cassette tape away from extreme heat, magnetic fields, and direct sunlight. Protect the exposed cassette tape from dirt and damage. Store cassette tapes in their original cases or other protective cases.
- Insert only cassette tapes into the slot. If objects other than cassette tapes are inserted, they may damage the player.

■ Operating the Mini Disc (MD) Player*

To operate the MD player, turn the ignition switch to the ACC or ON position.

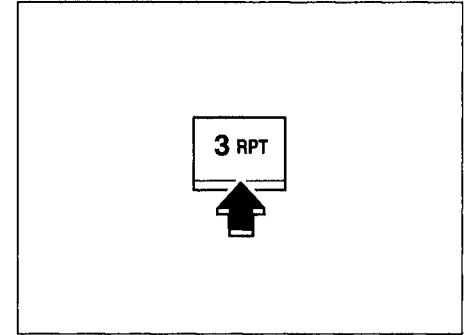
▼ Inserting the MD

Insert the MD, label-side up with the arrow pointed to the slot. The auto-loading mechanism will set the MD and begin play. There will be a short lapse before play begins while the player reads the digital signals on the MD.



▼ Playing

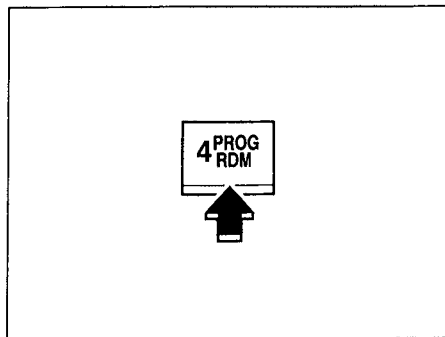
Press the MD play button to start playing when a MD is in the unit.



▼ Repeat play

This feature makes it possible to listen to a selection repeatedly.

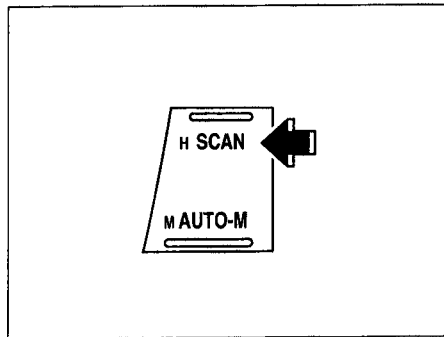
Press the repeat button during play. The current selection will be repeated ("RPT" will be displayed). Press the repeat button once again to cancel repeat play.



▼ Random play

This feature allows the MD player to randomly select the order of the songs.

Press the random button during play. The next selection will be randomly selected ("RDM" will be displayed). Press the random button once again to cancel random play.



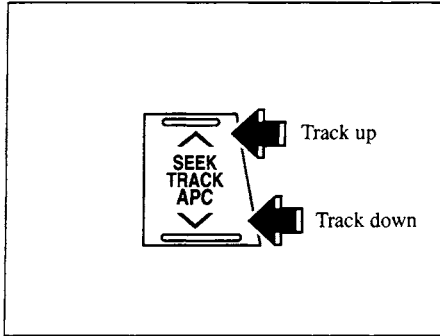
▼ Music scan

This feature helps to find a program by playing about the first 10 seconds of each track.

Press the scan button during play to start scan play operation (the track number will flash). Press the scan button once again to cancel scan play.

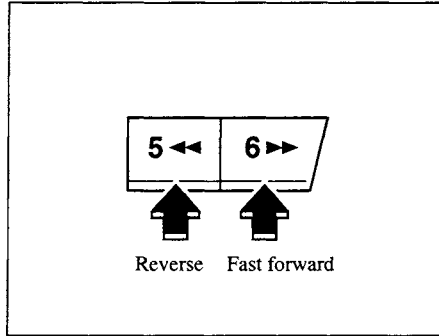
NOTE

If the unit is left in scan, normal play will resume where scan was selected.



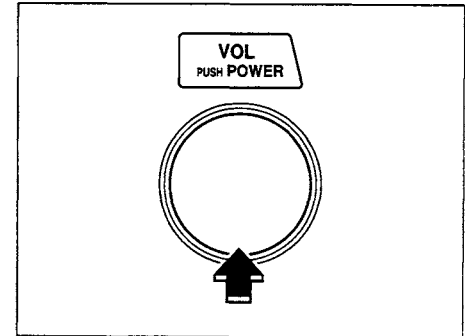
▼ Track search

Press the track up button once to skip forward to the beginning of the next track.
Press the track down button once to skip back to the beginning of the current track.



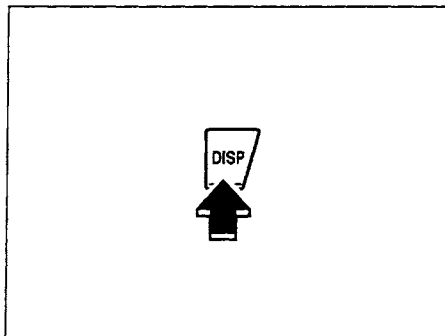
▼ Fast-forward/Reverse

Press and hold the fast-forward button to advance through a track at high speed.
Press and hold the reverse button to reverse through a track at high speed.



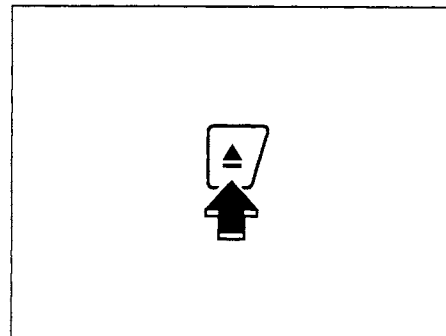
▼ Stopping

Press the power/volume knob to stop MD play.



Long disc or song titles

When disc or song titles exceed 10 letters or numerals, press the display button to display the remaining part of the title.



▼ Changing the MD display

To change the MD display during MD play, press and hold the display button for about half a second to advance through each of the following displays:

→ Song title → Disc title → No display

NOTE

If there is no song or disc title recorded on the MD, "NO TITLE" will be displayed.

▼ Ejecting the MD

Press the MD eject button to eject the MD.

■ **Error Indications**

If you see an error indication on the display, find the cause in the chart. If you cannot clear the error indication, take the vehicle to an Authorized Mazda Dealer.

Indication	Cause	Solution
CHECK MD	MD is inserted upside down	Insert the MD properly. If the code does not disappear, consult an Authorized Mazda Dealer
	MD is defective	Check the MD for scratches and/or soiling

■ Operating the Compact Disc (CD) Player*/In-Dash CD Changer*

To operate the CD player/in-dash CD changer, turn the ignition switch to the ACC or ON position.

▼ Inserting the CD (CD player)

Insert the CD into the slot, label-side up. The auto-loading mechanism will set the CD and begin play. There will be a short lapse before play begins while the player reads the digital signals on the CD. The disc in indicator will illuminate and the track number will be displayed.

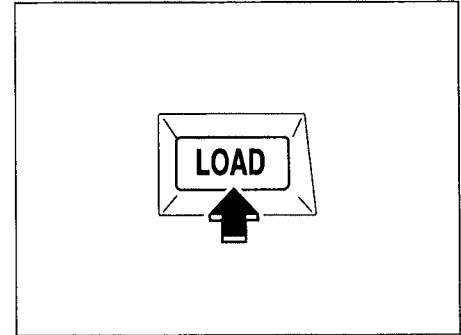
▼ Inserting the CD (In-dash CD changer)

The CD must be label-side up when inserting. The auto-loading mechanism will set the CD and begin play. There will be a short lapse before play begins while the player reads the digital signals on the CD.

The disc number and the track number will be displayed.

NOTE

A CD cannot be inserted while the display reads "WAIT." A beeping sound can be heard during this waiting time. Simultaneously pressing the power/volume knob and the load button for about 2 seconds will turn this beeping sound ON or OFF.



Normal insertion

1. Press the load button.
2. When "In" is displayed, insert the CD.

Multiple insertion

1. Press and hold the load button for about 2 seconds until a beep is heard.
2. When “In” is displayed, insert the CD.
3. When “In” is displayed again, insert the next CD.

NOTE

The first-inserted CD will be played automatically when:

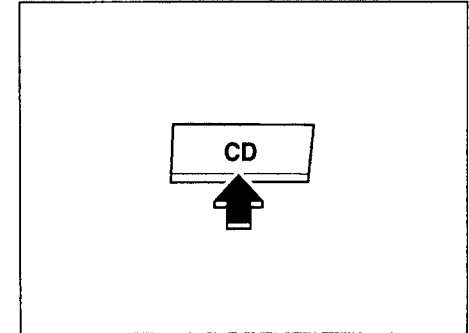
- No CD is inserted within 15 seconds after “In” is displayed.
- The CD trays are full.

Inserting CDs into desired tray number

1. Press and hold the load button for about 2 seconds until a beep is heard.
2. Press the channel preset button for the desired tray number within 5 seconds after the beep is heard.
3. When “In” is displayed, insert the CD.

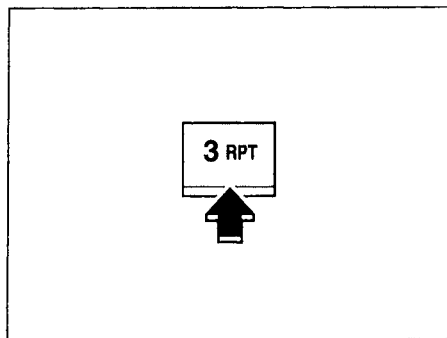
NOTE

The CD can not be inserted to the desired tray number if the number is already occupied.



▼ Playing

Press the CD play button to start playing when a CD is in the unit.

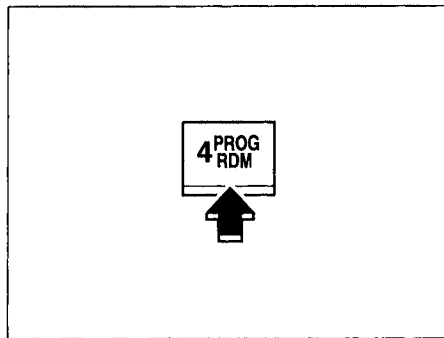


▼ Repeat play

This feature makes it possible to listen to a selection repeatedly.

Press the repeat button during play. The current selection will be repeated ("RPT" will be displayed).

Press the repeat button once again to cancel repeat play.

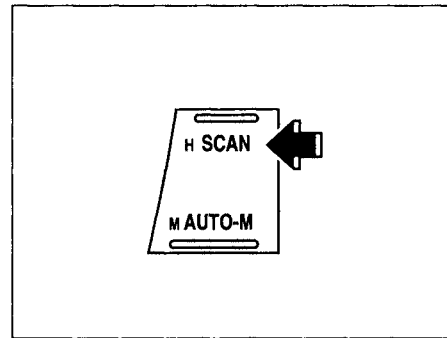


▼ Random play

This feature allows the CD player to randomly select the order of the songs.

Press the random button during play. The next selection will be randomly selected ("RDM" will be displayed).

Press the random button once again to cancel random play.



▼ Music scan

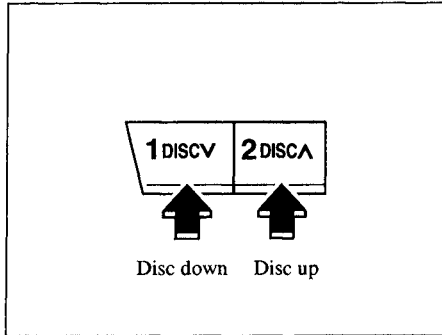
This feature helps to find a program by playing about the first 10 seconds of each track.

Press the scan button during play to start scan play operation (the track number will flash).

Press the scan button once again to cancel scan play.

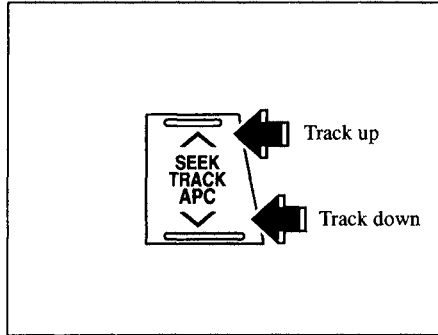
NOTE

If the unit is left in scan, normal play will resume where scan was selected.



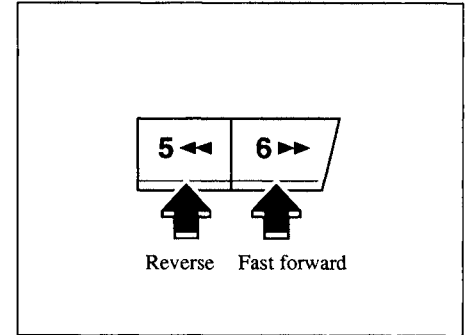
▼ Disc search (In-dash CD changer)

Press the disc up button (^) to skip forward to the beginning of the next CD. Press the disc down button (v) to skip back to the beginning of the previous CD.



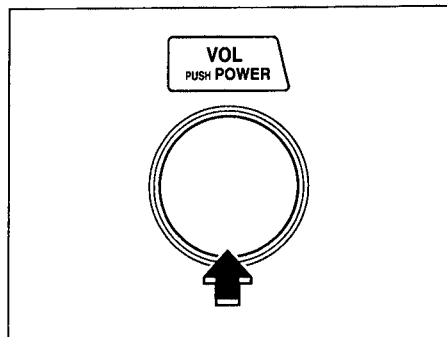
▼ Track search

Press the track up button once to skip forward to the beginning of the next track. Press the track down button once to skip back to the beginning of the current track.



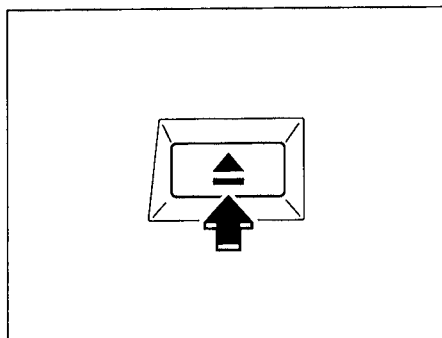
▼ Fast-forward/Reverse

Press and hold the fast-forward button to advance through a track at high speed. Press and hold the reverse button to reverse through a track at high speed.



▼ Stopping

Press the power/volume knob to stop CD play.



▼ Ejecting the CD (CD player)

Press the CD eject button to eject the CD.

▼ Ejecting the CD
(In-dash CD changer)

Normal ejection

1. Press the CD eject button.
The disc number and “OUT” will be displayed.
2. Pull out the CD.

NOTE

When the CD is ejected during play, the next CD will be played automatically.

Ejecting CDs from desired tray number

1. Press and hold the CD eject button for about 2 seconds until a beep is heard.
2. Press the channel preset button for the desired CD number within 5 seconds after the beep is heard.
3. Pull out the CD.

Multiple ejection

1. Press and hold the CD eject button for about 2 seconds until a beep is heard.
2. Wait 5 seconds or press the CD eject button again within 5 seconds after the beep is heard.
3. Pull out the CD, then the next CD will be ejected.

NOTE

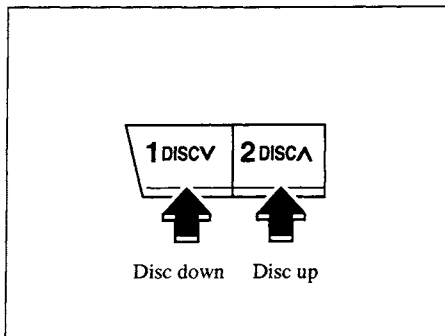
- CDs will be ejected starting with the one with the lowest number.
- All CDs in the tray will be ejected continuously.
- CDs can be ejected when the ignition switch is off. Press and hold the CD eject button for about 2 seconds and all CDs will eject.

■ Operating the CD Changer* (Except In-Dash) with Controls on the Main Audio Unit

The CD changer can be connected to the main audio unit and operated by the controls on the main unit. Regarding operation of the CD changer itself, please refer to the instructions attached to the changer.

NOTE

Operating the CD changer is generally the same as that of the CD player except for the insert and eject functions (pages 5-76—5-80).



▼ Disc search

Press the disc up button (\wedge) to skip forward to the beginning of the next CD.
Press the disc down button (\vee) to skip back to the beginning of the previous CD.

■ Error Indications

If you see an error indication on the display, find the cause in the chart. If you cannot clear the error indication, take the vehicle to an Authorized Mazda Dealer.

Indication	Cause	Solution
CHECK CD	CD is inserted upside down	Insert the CD properly. If the code does not disappear, consult an Authorized Mazda Dealer
	CD is defective	Check the CD for scratches and/or soiling

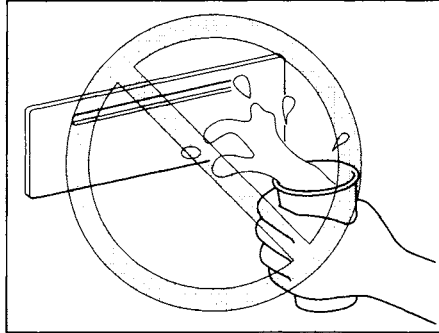
■ Operating Tips for CD Player/In-Dash CD Changer

▼ Condensation phenomenon

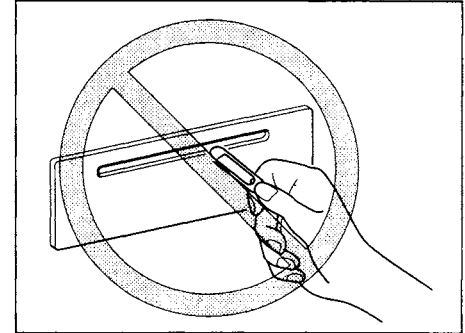
Immediately after turning on the heater when the vehicle is cold, the CD or optical components (prism and lens) in the CD player/changer may become clouded with condensation. At this time, the CD will eject immediately when placed in the unit. A clouded CD can be corrected simply by wiping it with a soft cloth. Clouded optical components will clear naturally in about an hour. Wait for normal operation to return before attempting to use the unit.

▼ Handling the CD player/in-dash CD changer

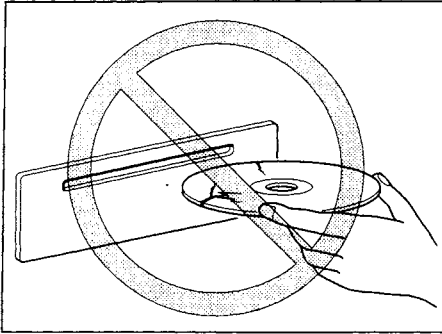
The following precautions should be observed.



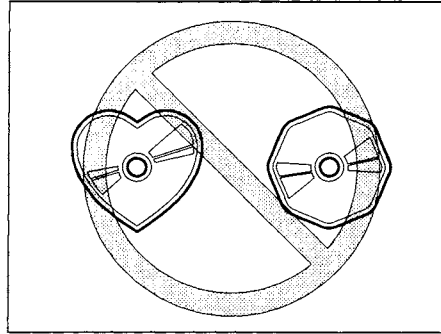
- Do not spill any liquid on the audio system.



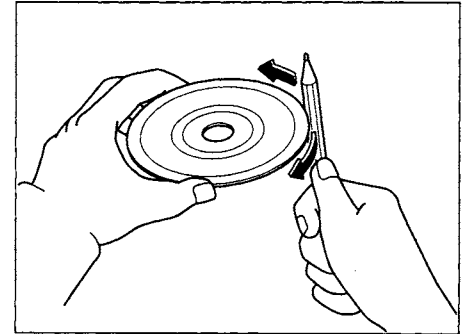
- Do not insert any objects, other than CDs, into the slot.



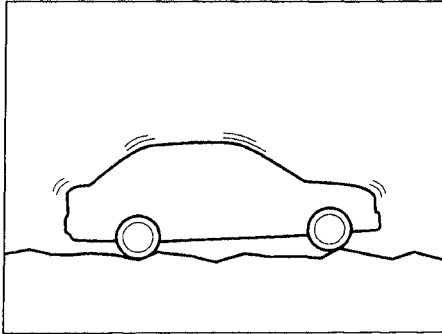
- The CD revolves at high speed within the unit. Defective (cracked or badly bent) CDs should never be used.



- Do not use non-conventional discs such as heart-shaped, octagonal discs, etc. The CD player/changer could be damaged.



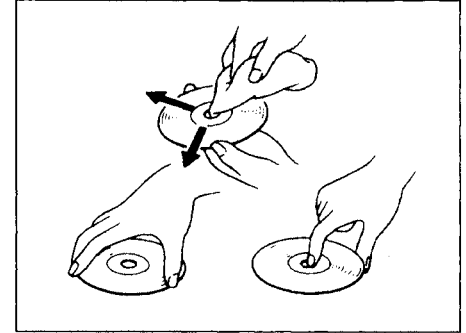
- A new CD may have rough edges on its inner and outer perimeters. If a disc with rough edges is used, proper setting will not be possible and the CD player/changer will not play the CD. Remove the rough edges in advance by using a ball-point pen or pencil as shown above. To remove the rough edges, rub the side of the pen or pencil against the inner and outer perimeter of the CD.



- When driving over uneven surfaces, the sound will jump.



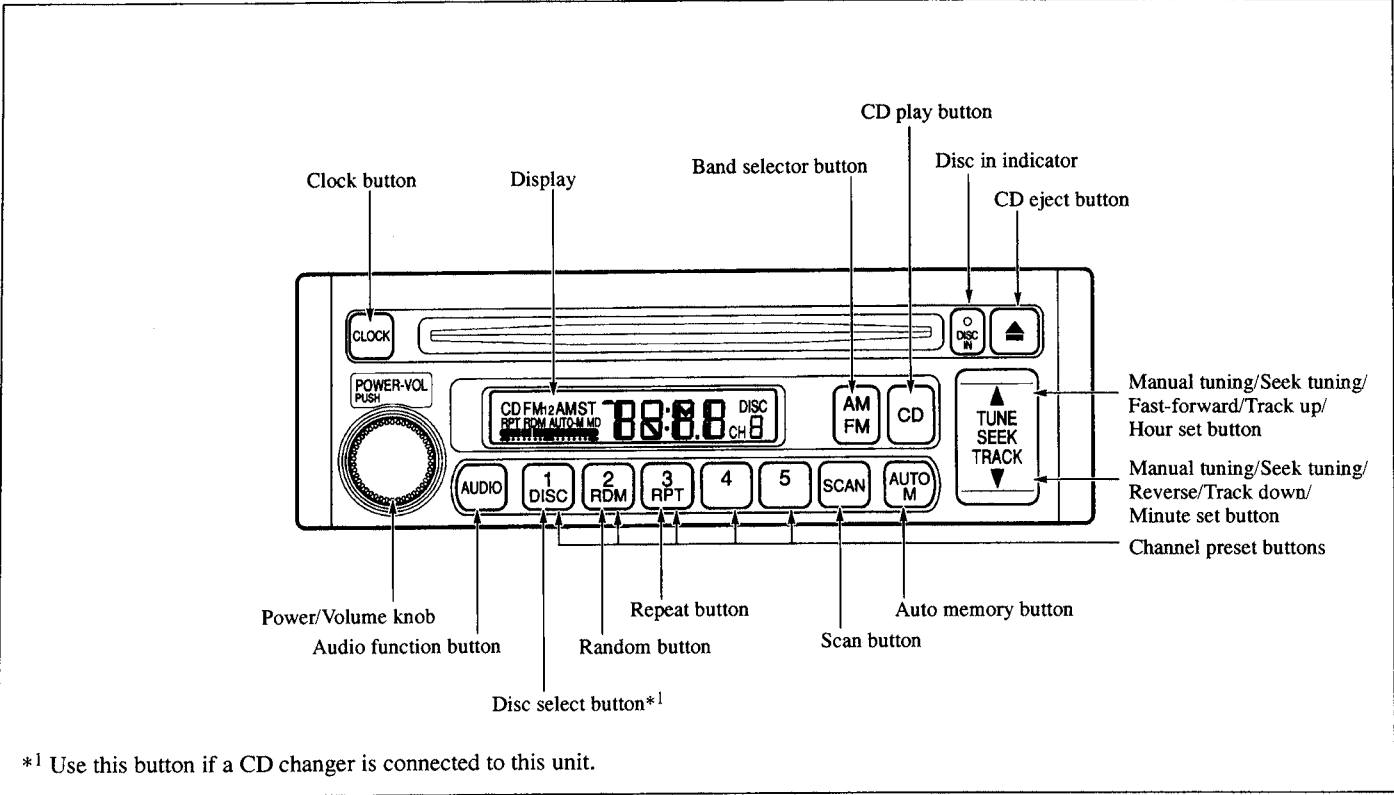
- The CD player/changer has been designed to play CDs bearing the identification logo as shown. No other discs can be played.

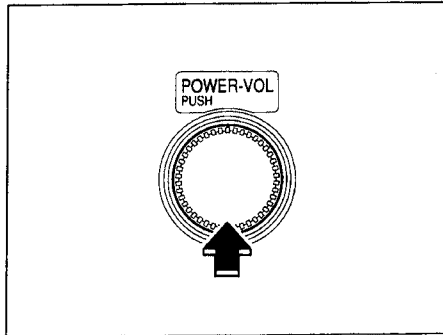


- Be sure never to touch the signal surface when handling the CDs. Pick up a CD by grasping the outer edge or the edge of the hole and the outer edge.
- Do not stick paper or tape on the CD. Avoid scratching the reverse side (the side without a label).

- Dust, finger smudges, and dirt can decrease the amount of light reflected from the signal surface, thus affecting sound quality. If the CD should become soiled, gently wipe it with a soft cloth from the center of the CD to the edge.
- Do not use record sprays, antistatic agents, or household spray cleaners. Volatile chemicals such as benzine and thinner can also damage the surface of the CD and must not be used. Anything that can damage, warp, or fog plastic should never be used to clean CDs.
- CDs, like traditional audio records, are made of plastic. To avoid warping, keep the CDs in their cases and do not store them where they will be exposed to direct sunlight.
- The CD player/changer ejects the CD if the CD is inserted upside down. Also dirty and/or defective CDs may be ejected.
- 8 cm (3 in) CDs and CD accessories (e.g. 8 cm disc adapter) cannot be used in the CD player/changer.
- Do not insert cleaning discs in the CD player/changer.
- Do not insert any disc with a peel-off or seal on it.

AM/FM Radio with Compact Disc Player (Type B)*





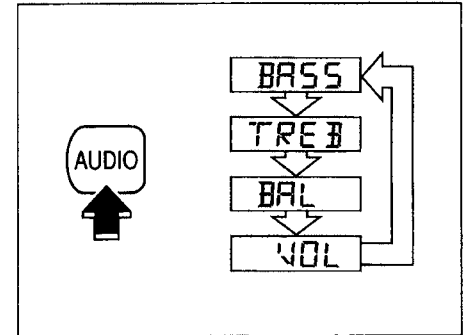
■ Power ON/OFF

Turn the ignition switch to the ACC or ON position.

Press power/volume knob to turn the audio system on. Press power/volume knob again to turn the audio system off.

NOTE

To prevent the battery from being discharged, do not leave the audio system on for a long period while the engine is not running.

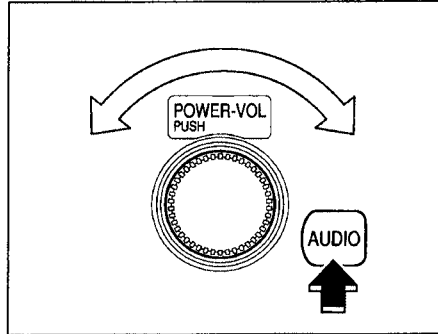


▼ Audio sound adjustment

1. Press audio function button to select bass, treble, balance, or volume control. The selected function will be indicated.

NOTE

About 5 seconds after selecting any mode, the volume function will be automatically selected. To reset bass, treble and balance, press audio function button for 2 seconds. The unit will beep and CL will be displayed.



2. Turn power/volume knob to adjust the selected function; bass, treble, balance, or volume.

NOTE

The volume can be adjusted without pressing audio function button.

Bass control

To adjust the bass, select BASS by pressing the audio function button. BASS will be displayed.

Turn power/volume knob to the right to increase bass, to the left to decrease it. The level will be displayed. Release power/volume knob when the desired level has been reached.

Treble control

To adjust the treble, select TREB by pressing the audio function button. TREB will be displayed.

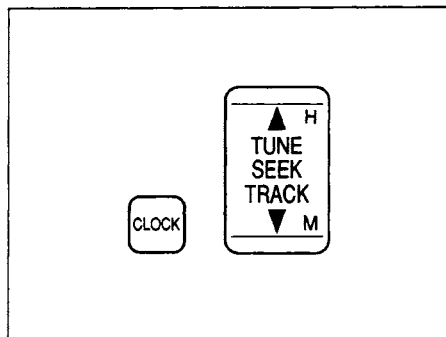
Turn power/volume knob to the right to increase trable, to the left to decrease it. The level will be displayed. Release power/volume knob when the desired level has been reached.

Balance control

To adjust the sound distribution between left and right speakers, select BAL by pressing the audio function button. BAL will be displayed.

Turn power/volume knob to the right to shift the sound to the right, to the left to shift the sound to the left. The level will be displayed.

Release power/volume knob when the desired level has been reached.

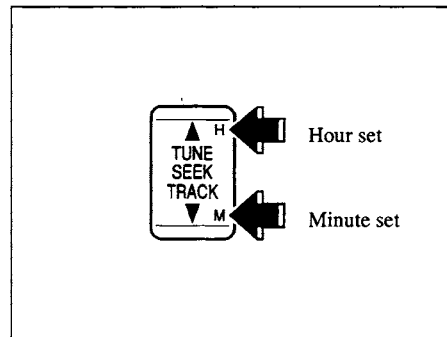


■ Clock

▼ Setting the time

The clock can be set at any time while the ignition switch is in the ACC or ON position.

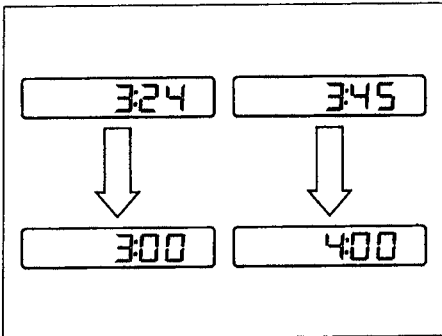
1. To adjust the time, press clock button for about 2 seconds until a beep is heard.
2. The clock's current time will flash until the time is set.



3. To advance the hours, press hour set button (▲) to advance the minutes, press minute set button (▼) while the time is flashing.
4. Press clock button again to start the clock.

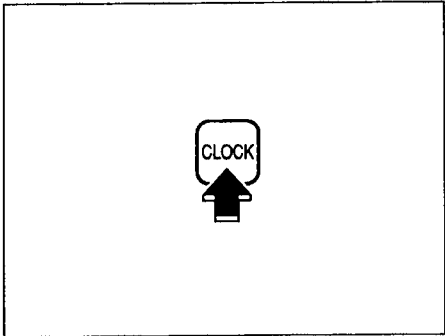
NOTE

If the power supply to the unit is interrupted (if the fuse blows or the vehicle's battery is disconnected), the clock will need to be reset.



NOTE

If the time is not adjusted while the clock's current time is flashing (if neither the ▲ nor ▼ is pressed), and clock button is pressed a second time, the minutes will be set to 00. If the clock's current time setting is within the latter part of the hour (from 30 to 59 min), the hour setting will automatically advance one hour.

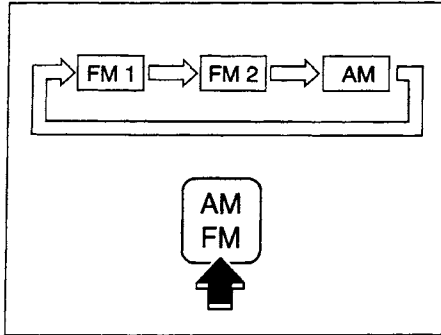


▼ Changing the display mode

The display on the unit can be changed by pressing clock button. This alternates the display between time and audio. When the clock mode has been selected, the time will be displayed.

NOTE

If audio operation is selected while the time mode is on, the selected audio mode will be displayed for 10 seconds, then the display will revert to the time mode.



■ Operating the Radio

To operate the radio, turn the ignition switch to the ACC or ON position.

▼ Radio ON

Press band selector button to turn the radio on.

▼ Band selection

Press band selector button to change FM1, FM2, and AM.

The selected mode will be indicated.

If FM stereo is being received, ST will be displayed.

NOTE

If the FM broadcast signal becomes weak, reception automatically changes from STEREO to MONO for reduced noise, and the ST indicator will go out.

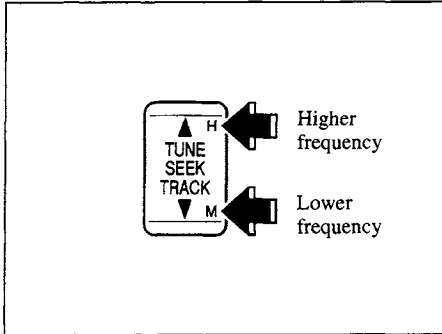
▼ Tuning

The radio has five tuning methods: Manual, Seek, Scan, Preset channel, and Auto memory tuning.

The easiest way to tune stations is to set them on preset channels.

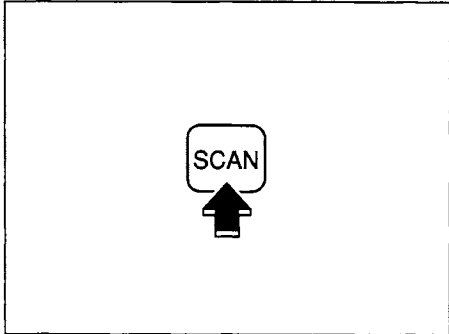
NOTE

If the power supply is interrupted (fuse blows or the battery is disconnected), the preset channels will be canceled.



NOTE

If you continue to press and hold the switch, the frequency will change and the unit will not seek. Please release the switch after the beep.



Manual tuning

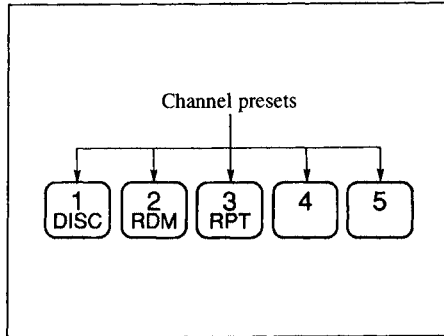
Pressing ▲ or ▼ will change to a higher or lower frequency.

Seek tuning

Pressing ▲ or ▼ for more than about half second until a beep is heard will cause the tuner to seek a higher or lower frequency automatically.

Scan tuning

Press scan button to automatically sample strong stations. Scanning stops at each station for about 5 seconds. To hold a station, merely press scan button again during this interval.



Preset channel tuning

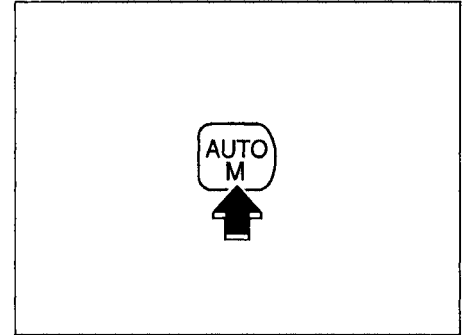
The five preset channels can be used to store 5 AM and 10 FM stations.

To set a channel first select AM, FM1, or FM2. Tune the station you want and depress a channel preset button for about 2 seconds until a beep is heard. The preset channel number and station frequency will be displayed. The station is now held in the memory. Repeat this operation for the other stations and bands you want to store.

To tune one in the memory, select AM, FM1, or FM2 and then press its channel preset button. The station frequency and the channel number will be displayed.

NOTE

If the power supply is interrupted (fuse blows or the battery is disconnected), the preset channels will be canceled.



Auto memory tuning

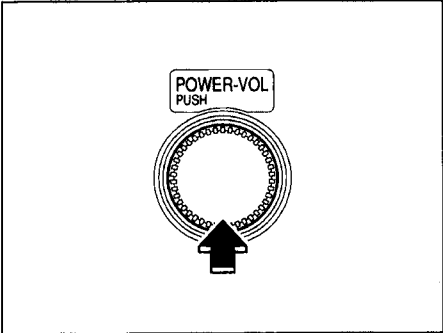
This is especially useful when driving in an area where the local stations are not known. Additional AM/FM stations can be stored without disturbing the previously set channels.

Press and hold auto memory for about 2 seconds until a beep is heard; the system will automatically scan and temporarily store the six strongest stations of each selected band in that area.

After scanning is completed, the strongest station will be tuned and its frequency displayed. Press and release auto memory to recall stations from the auto-stored stations. One stored station will be selected each time; auto memory and channel number will be displayed.

NOTE

If no stations can be tuned after scanning operations, the letter A will be displayed.



▼ Radio OFF

Press power/volume knob to turn off the radio.

NOTE

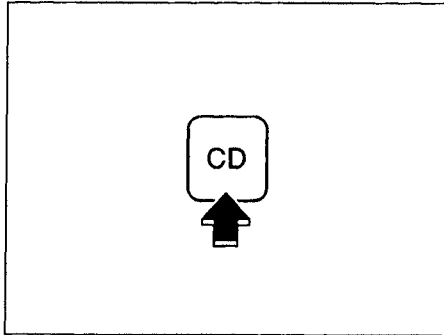
Press power/volume knob again to listen to the frequency last tuned to.

■ Operating the Compact Disc (CD) Player

To operate the CD player, turn the ignition switch to the ACC or ON position.

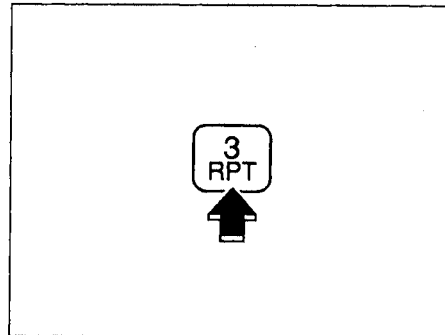
▼ CD insert

Insert the CD, label-side up, into the slot. The auto-loading mechanism will set the CD and begin play. The CD will play from beginning to end. There will be a short lapse before play begins while the player reads the digital signals on the CD. Disc in indicator will illuminate and the track number of the current selection will be displayed.



▼ **Playing**

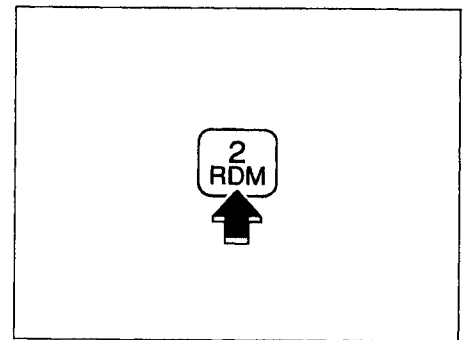
Press CD play button to start playing when a CD is in unit.



▼ **Repeat play**

This feature makes it possible to listen to a selection repeatedly.

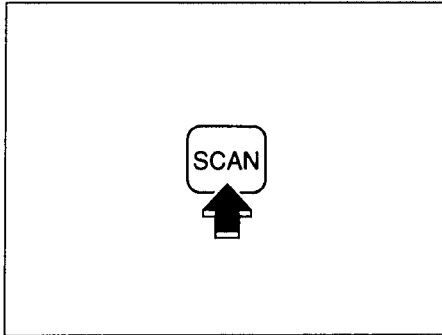
Press repeat button during play. The current selection will be repeated. (RPT will be displayed).
Press repeat button once again to cancel repeat play.



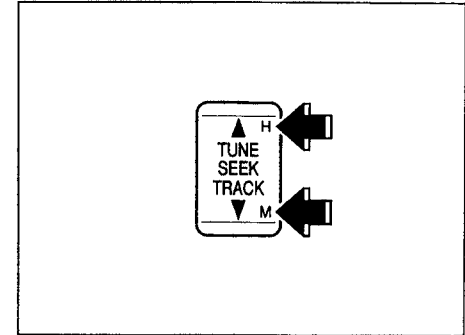
▼ **Random play**

This feature allows the CD player to randomly select the order of the songs.

Press random button during play. The next selection will be randomly selected. (RDM will be displayed).
Press random button once again to cancel random play.

**NOTE**

If the unit is left in scan, normal play will resume where scan was selected.

**▼ Music scan**

This feature helps to find a program by playing about the first 10 seconds of each track.

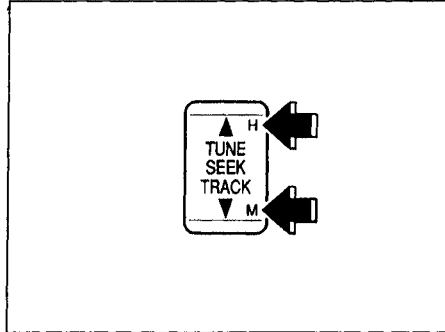
Press scan button during play to start scan play operation (the track number will flash).

Press scan button once again to cancel scan play.

▼ Track search

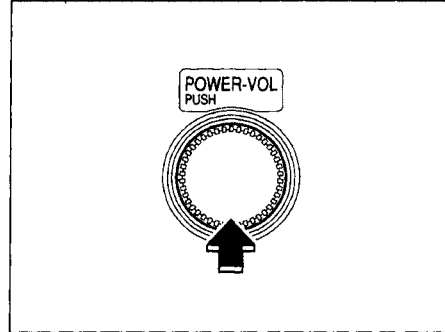
Press track up button (▲) once to skip forward to the beginning of the next track.

Press track down button (▼) once to skip back to the beginning of the current track.



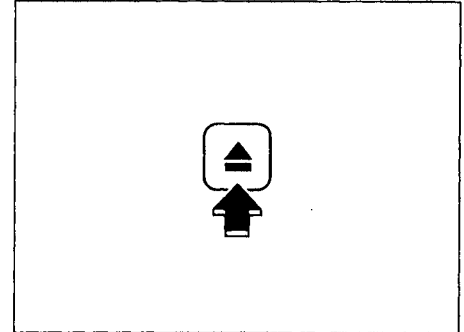
▼ Fast-forward/Reverse

Press and hold fast-forward button (▲) to advance through a track at high speed. Press and hold reverse button (▼) to reverse through a track at high speed.



▼ Stopping

Press power/volume knob to stop CD play.



▼ Ejecting the CD

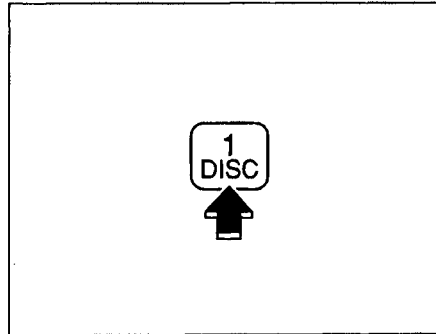
Press CD eject button to eject the CD.

■ Operating the CD Changer* (With controls on the radio/CD player unit)

The CD changer can be connected to the radio/CD player unit and operated by the controls on the unit. Regarding operation of the CD changer itself, please refer to the instructions attached to the changer.

NOTE

Operating the CD changer is generally the same as that of the CD player (pages 5-95–5-98).



▼ Selecting a compact disc

Press disc select button to select a CD.

■ Error Indications

If you see an error indication on the display of the radio/CD player unit, find the cause in the chart. If you cannot clear the error indication, take the vehicle to an Authorized Mazda Dealer.

Driving Your Mazda

Indication	Cause	Solution
E01	CD mechanism problem	Consult an Authorized Mazda Dealer
E30	High temperature	Will disappear when the temperature returns to normal
E07	CD is inserted upside down	Insert the compact disc properly. If the code does not disappear, consult an Authorized Mazda Dealer
	CD is defective	Try another CD

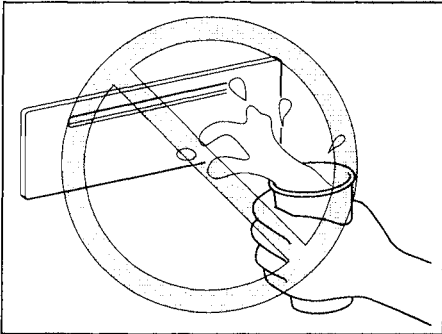
■ **Operating Tips for CD Player**

▼ **Condensation phenomenon**

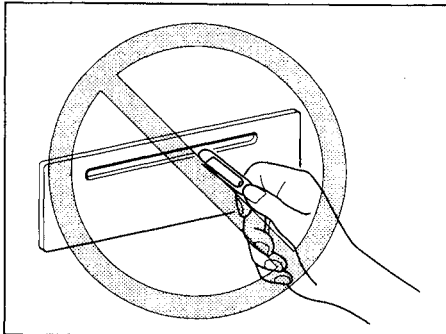
Immediately after turning on the heater when the vehicle is cold, the CD or optical components (prism and lens) in the CD player may become clouded with condensation. At this time, the CD will eject immediately when placed in the unit. A clouded CD can be corrected simply by wiping it with a soft cloth. Clouded optical components will clear naturally in about an hour. Wait for normal operation to return before attempting to use the unit.

▼ **Handling the compact disc player**

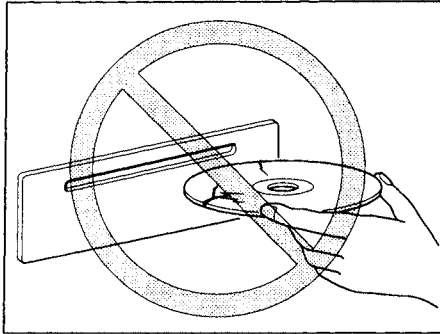
The following precautions should be observed.



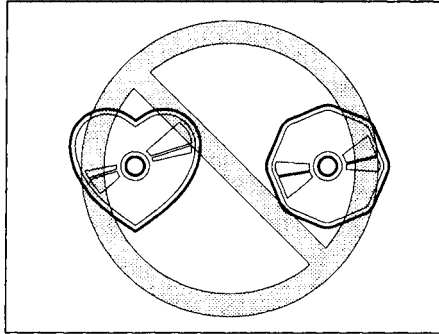
- Do not spill any liquid on the audio system.



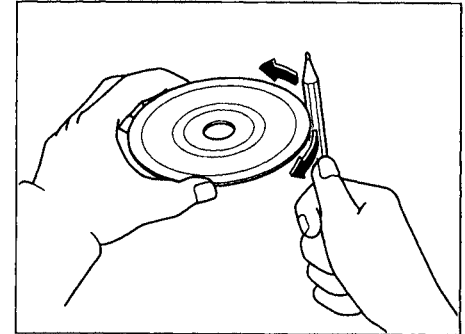
- Do not insert any objects, other than CDs, into the slot.



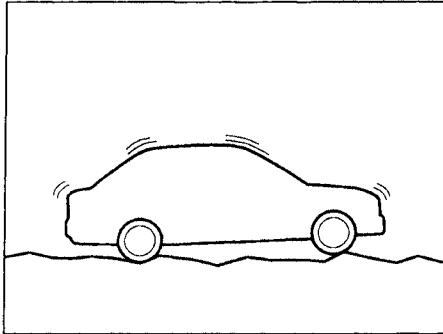
- The CD revolves at high speed within the unit. Defective (cracked or badly bent) CDs should never be used.



- Do not use non-conventional discs such as heart-shaped, octagonal discs, etc. The CD player could be damaged.



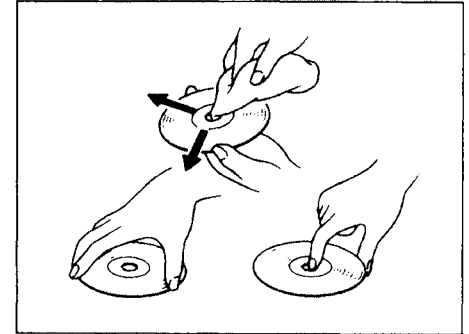
- A new CD may have rough edges on its inner and outer perimeters. If a disc with rough edges is used, proper setting will not be possible and the CD player will not play the CD. Remove the rough edges in advance by using a ball-point pen or pencil as shown above. To remove the rough edges, rub the side of the pen or pencil against the inner and outer perimeter of the CD.



- When driving over uneven surfaces, the sound will jump.



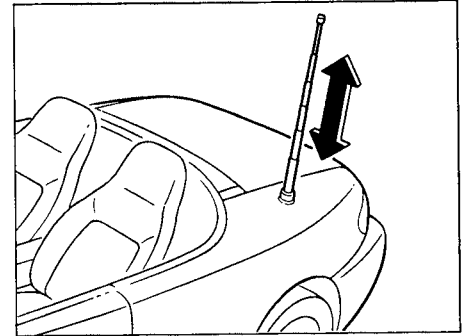
- The CD player has been designed to play CDs bearing the identification logo as shown. No other discs can be played.



- Be sure never to touch the signal surface when handling the CDs. Pick up a CD by grasping the outer edge or the edge of the hole and the outer edge.
- Do not stick paper or tape on the CD. Avoid scratching the reverse side (the side without a label).

- Dust, finger smudges, and dirt can decrease the amount of light reflected from the signal surface, thus affecting sound quality. If the CD should become soiled, gently wipe it with a soft cloth from the center of the CD to the edge.
- Do not use record sprays, antistatic agents, or household spray cleaners. Volatile chemicals such as benzine and thinner can also damage the surface of the CD and must not be used. Anything that can damage, warp, or fog plastic should never be used to clean CDs.
- CDs, like traditional audio records, are made of plastic. To avoid warping, keep the CDs in their cases and do not store them where they will be exposed to direct sunlight.
- The CD player ejects the CD if the CD is inserted upside down. Also dirty and/or defective CDs may be ejected.
- Do not insert cleaning discs in the CD player.
- Do not insert any disc with a peel-off or seal on it.

Antenna



The antenna automatically raises when the radio is turned on, and lowers when it is turned off. It does not need to be removed when leaving the vehicle.

CAUTION

To prevent damaging the antenna, retract it before entering a car wash facility or passing beneath a low overhead clearance.

 **CAUTION**

Make sure no one is near the antenna before turning on the radio to prevent injury or damage to the antenna.

6

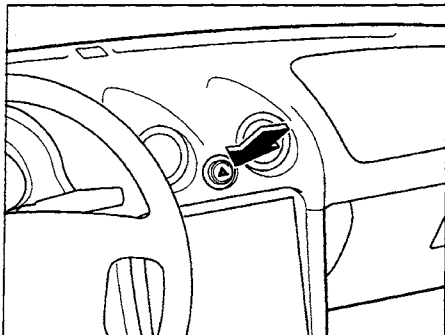
In Case of an Emergency

Because an emergency can occur anytime, we strongly urge you to become familiar with this section of your manual. It provides helpful information on what to do if the engine overheats, if you have a flat tire, and if the battery is discharged.

You will also find out what to do if you confront a problem in the electrical system; and, there's some guidance on the correct way to tow your Mazda.

Hazard Warning Flasher	6- 2
Overheating	6- 2
Emergency Starting	6- 4
Fuses	6- 6
Towing	6-12
Flat Tire	6-14

Hazard Warning Flasher



The hazard warning lights warn other drivers that your vehicle is a traffic hazard and that they must take extreme caution when near it.

The hazard warning lights should always be used when you stop on or near a roadway.

Depress the hazard warning switch and all four turn signals will flash at once.

NOTE

- The turn signals don't work when the hazard warning lights are on.
- Check local regulations about the use of hazard warning lights while the vehicle is being towed. They may forbid it.

Overheating

If the temperature gauge indicates overheating, you experience power loss, or you hear a loud knocking or pinging noise, the engine is probably too hot.

If this happens:

1. Drive safely to the side of the road and park off the right-of-way.
2. Put a vehicle with an automatic transmission in park (P), a manual transmission in neutral. Apply the parking brake.

⚠ WARNING

Steam from Overheated Engine:
Steam from overheated engine is dangerous. The escaping steam could seriously burn you. Open the hood ONLY after steam is no longer escaping from the engine.

3. Check whether coolant or steam is escaping from under the hood or from the engine compartment.

If steam is coming from the engine compartment, don't go near the front of the vehicle. Stop the engine. Then turn the ignition switch to the ON position without starting the engine. The radiator cooling fans will start to cool the engine.

If neither coolant nor steam is escaping, open the hood and idle the engine until it cools. If this doesn't lower the temperature, stop the engine

and let it cool.

4. Visually inspect the alternator/water pump drive belt for looseness and breakage and all cooling hose connections for leaks. If the belt is broken or coolant is leaking, call an Authorized Mazda Dealer for assistance.
5. If the drive belt is OK, the engine is cool, and no coolant leaks are obvious, inspect the coolant level. Carefully add coolant as required (page 8-15).

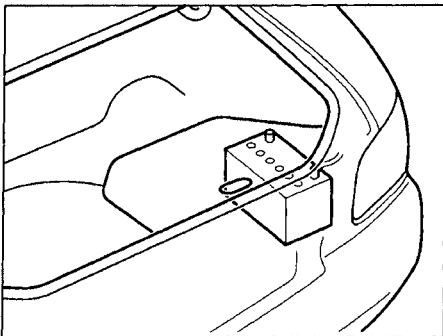
⚠ WARNING

Cooling System Cap:
When the engine and radiator are hot, scalding coolant and steam may shoot out under pressure and cause serious injury. Don't remove the cooling system cap when the engine and radiator are hot.

⚠ CAUTION

If the engine continues to overheat or frequently overheats, have the cooling system inspected. The engine could be seriously damaged unless repairs are made.

Emergency Starting



■ Jump-Starting

The battery is in the trunk.

Jump-starting is dangerous if done incorrectly. So follow the procedure carefully. If you feel unsure about jump-starting, we strongly recommend that you have a competent service technician do the work.

⚠ CAUTION

Use only a 12 V booster system. You can damage a 12 V starter, ignition system, and other electrical parts beyond repair with a 24 V power supply (two 12 V batteries in series or a 24 V motor generator set).

⚠ WARNING

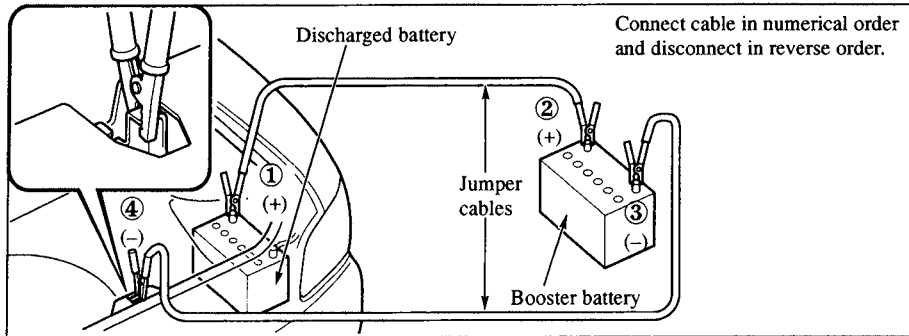
Jump-Starting:

Jump-starting a frozen battery is dangerous. It may rupture or explode, causing serious injury. Don't jump-start a frozen battery.

⚠ WARNING

Battery-Related Explosion:

Flames and sparks near open battery cells are dangerous. Hydrogen gas, produced during normal battery operation, could ignite and cause the battery to explode. An exploding battery can cause serious burns and injuries. Keep all flames, including cigarettes, and sparks away from open battery cells.



1. Make sure the booster battery is 12 V and that its negative terminal is grounded.
2. If the booster battery is in another vehicle, don't allow the vehicles to touch. Turn off the engine of the vehicle with the booster battery and all unnecessary electrical loads in both vehicles.
3. Connect the jumper cables in the exact sequence as in the illustration.

- (1) Connect one end of a cable to the positive terminal on the discharged battery ①.
- (2) Attach the other end to the positive terminal on the booster battery ②.
- (3) Connect one end of the other cable to the negative terminal of the booster battery ③.
- (4) Connect the other end to a solid, stationary, exposed metallic point (for example, the trunk latch catch) away from the discharged battery ④.

4. Start the engine of the booster vehicle and run it a few minutes. Then start the engine of the other vehicle.
5. When finished, carefully disconnect the cables in the reverse order described in Step 3.

⚠ WARNING

Connecting to Negative Terminal:
Connecting the end of the second cable to the negative (-) terminal of the discharged battery is dangerous. A spark could cause the gas around the battery to explode and injure someone. Connect the cable to a point away from the battery.

■ Push-Starting

You can't start a vehicle with an automatic transmission by pushing it.

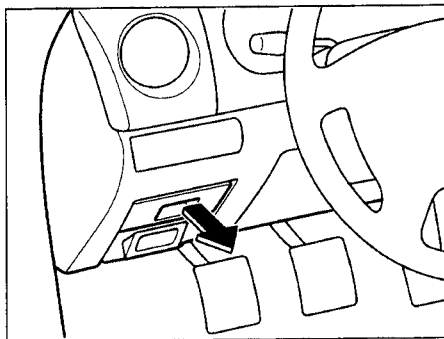
⚠ CAUTION

You shouldn't push-start a vehicle that has a manual transmission. It can damage the emission control system.

⚠ WARNING

Towing a Vehicle to Start It:
Towing a vehicle to start it is dangerous. The vehicle being towed could surge forward when its engine starts, causing the two vehicles to collide. The occupants could be injured. Never tow a vehicle to start it.

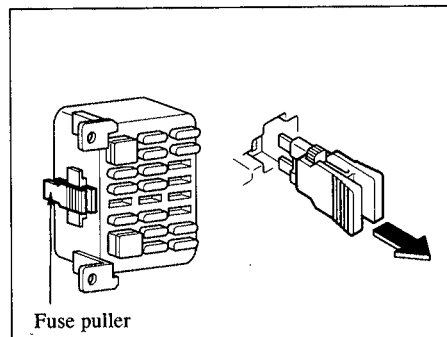
Fuses



Your vehicle's electrical system is protected by fuses.

If any lights, accessories, or controls don't work, inspect the appropriate circuit protector. If a fuse has blown, the inside element will be melted.

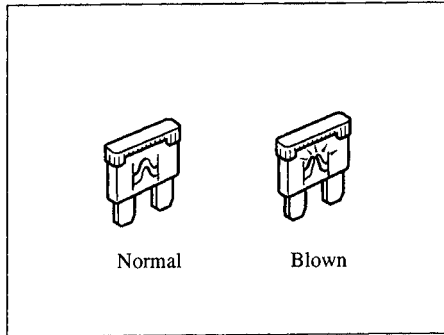
If the same fuse blows again, avoid using that system and consult an Authorized Mazda Dealer as soon as possible.



■ Fuse Replacement

If the electrical system doesn't work, first inspect fuses on the driver's side.

1. Turn off the ignition switch and other switches.
2. Open the fuse panel.
3. Pull the fuse straight out with the fuse puller provided on the fuse panel.



4. Inspect it and replace if it's blown.

NOTE

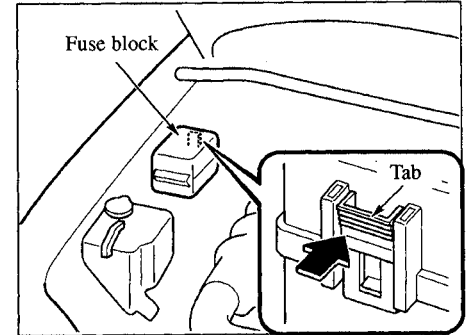
The check engine light comes on when a ROOM fuse blows or when a ROOM fuse is removed. When installing a ROOM fuse, turn the ignition switch off and wait 60 seconds before installing the fuse. If the check engine light comes on and doesn't go off, there is a problem other than the fuse system. Consult your Authorized Mazda Dealer.

5. Push in a new fuse of the same rating, and make sure it fits tightly. If it doesn't, have an Authorized Mazda Dealer install it.

If you have no spare fuses, borrow one of the same rating from a circuit not essential to vehicle operation, such as the RADIO circuit.

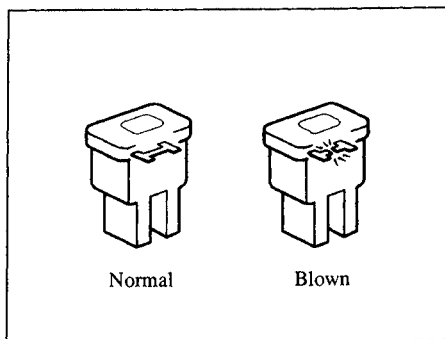
⚠ CAUTION

Always replace a fuse with one of the same rating. Otherwise you may damage the electric system.

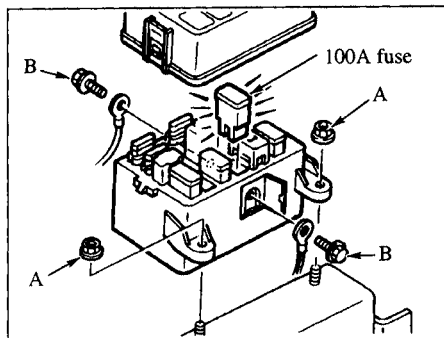


If the headlights or other electrical components don't work and the fuses in the cabin are OK, inspect the fuse block under the hood. If a fuse is blown, it must be replaced. Follow these steps:

1. Turn off the ignition switch and all other switches.
2. Open the fuse block cover by unhooking the tab on one end and tilting the cover back toward the other end.



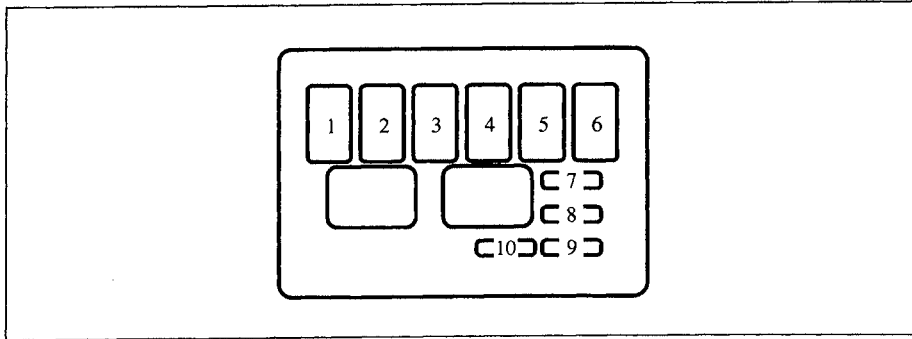
3. If a fuse is blown, replace it with a new one **of the same rating.**



When replacing the 100A fuse:

1. Turn off the ignition switch.
2. Remove the negative battery terminal.
3. Remove the A nuts.
4. Lift the fuse block and remove the B bolts.
5. Replace the fuse with a new one **of the same rating.**
6. Install in the reverse order of removal.

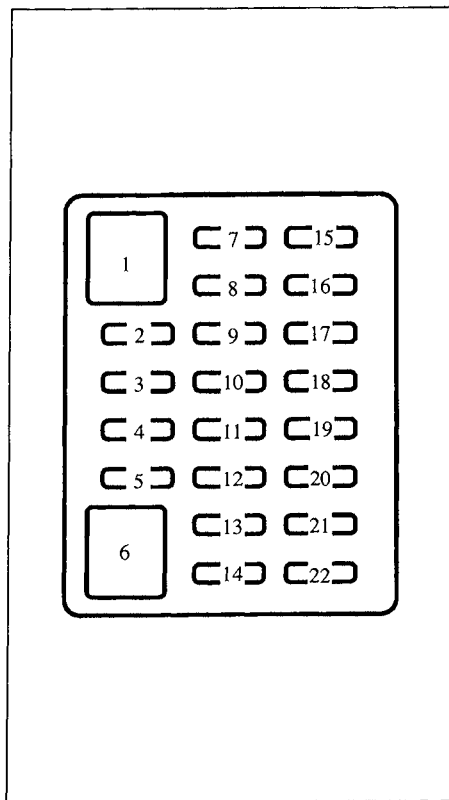
■ Fuse Panel Description



▼ Fuse block (engine compartment)

DESCRIPTION		FUSE RATING	PROTECTED COMPONENT
1	HEAD	40A	Headlights, Rear defroster, Auto antenna*
2	FUEL INJ	30A	Fuel injection
3	MAIN	100A	For protection of all circuits
4	IG KEY	60A	All ignition related circuit
5	BLOWER	30A	Blower motor
6	FAN	30A	Cooling fan, Additional fan (air conditioner)*
7	BTN 1	30A	Taillights, Instrument panel illumination*
8	BTN 2	20A	Audio amp*, Turn signal lights
9	ABS*	20A	Antilock brake system*
10	STOP	15A	Brake lights, Horn, Shift lock

*Some models.

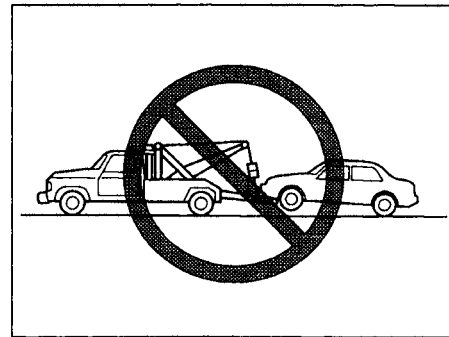
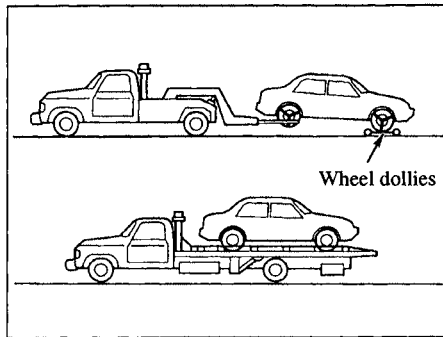
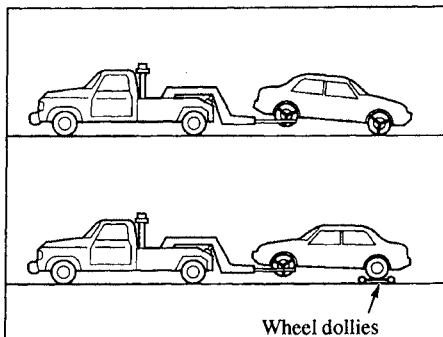


▼ Fuse panel (driver's side)

	DESCRIPTION	FUSE RATING	PROTECTED COMPONENT
1	ADD FAN	20A	Add fan motor, Magnet clutch
2	HEAD.LH	15A	Headlights (LH)
3	HEAD.RH	15A	Headlights (RH)
4	---	---	---
5	ST.SIG	7.5A	Instrument cluster, Cruise control*
6	---	---	---
7	CIGAR	20A	Cigar lighter
8	RADIO	10A	Audio
9	F.FOG	15A	Fog lights*
10	TAIL	15A	Taillights, Front parking lights, Side-marker lights
11	ENGINE	15A	Engine control system
12	METER	15A	Instrument cluster
13	TURN	7.5A	Turn signal lights
14	A/B	10A	Supplemental restraint system, Antilock brake system*
15	WIPER	20A	Windshield wipers and washer
16	P.WIND	30A	Power windows
17	A/C	7.5A	Air conditioner*
18	HAZARD	10A	Turn signal lights
19	D.LOCK	10A	Power door lock*

DESCRIPTION		FUSE RATING	PROTECTED COMPONENT
20	AUDIO	20A	Audio amp*
21	DEFOG	15A	Rear defroster
22	ROOM	10A	Interior light, Auto antenna*, Warning buzzers

Towing



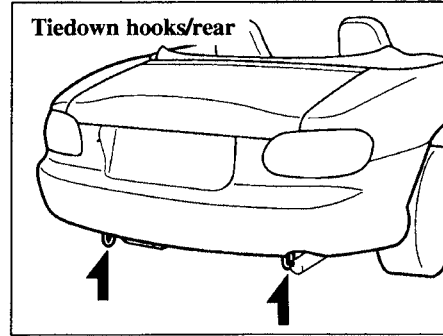
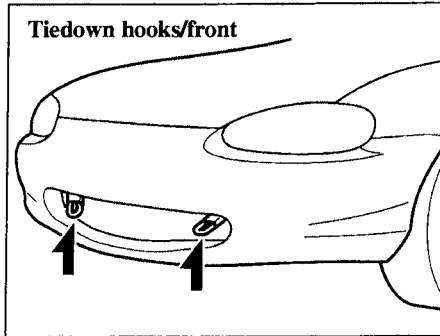
We recommend that towing be done only by an Authorized Mazda Dealer or a commercial tow-truck service.

Proper lifting and towing are necessary to prevent damage to the vehicle. State and local laws must be followed.

A towed vehicle usually should have its rear wheels off the ground. If excessive damage or other conditions prevent this, use wheel dollies.

CAUTION

Don't tow with sling-type equipment. This could damage your vehicle. Use wheel-lift or flatbed equipment.

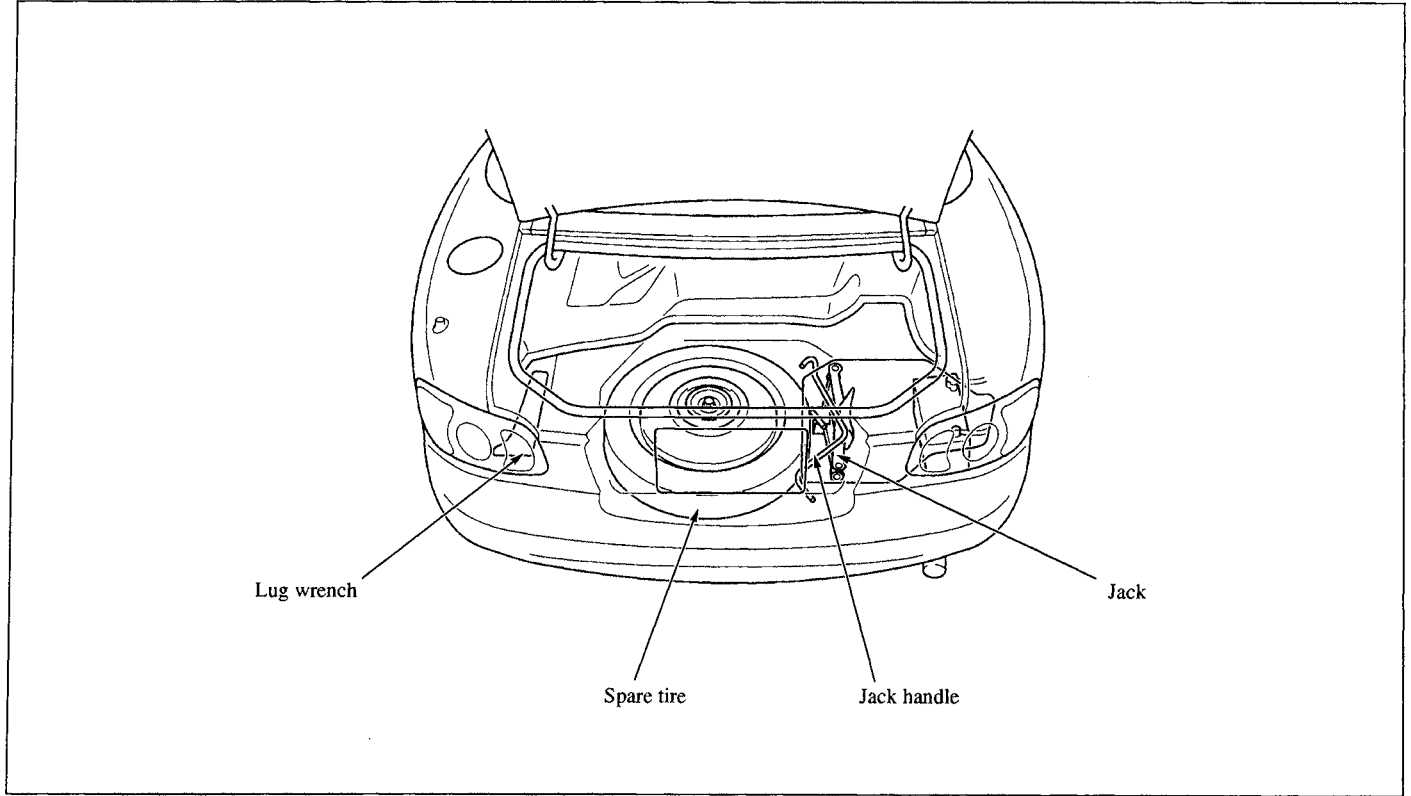


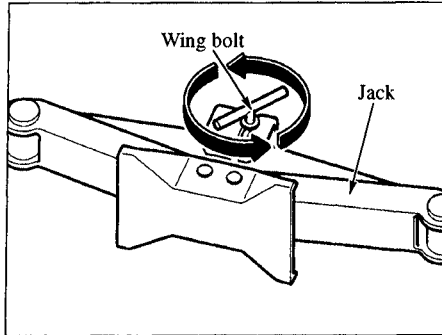
⚠ CAUTION

Don't use the hook loops under the front and rear for towing. They are designed **ONLY** for tying down the vehicle when it's being transported. Using them for towing will damage the bumper.

Flat Tire

■ Tire, Jack, Jack Handle, and Lug Wrench



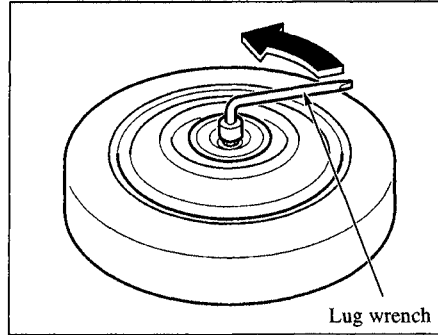


▼ To remove the jack

Turn the wing bolt counterclockwise.

▼ To secure the jack

Perform the removal procedure in reverse.



▼ To remove the spare tire

Turn the tire hold-down bolt counterclockwise with the lug wrench.

■ Changing a Flat Tire

NOTE

If the following occurs while driving, it could indicate a flat tire.

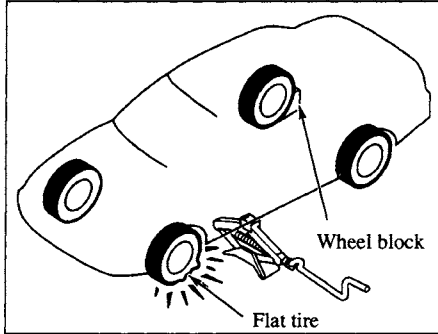
- Steering becomes difficult.
- The vehicle begins to vibrate excessively.
- The vehicle pulls in one direction.

If you have a flat tire, drive slowly to a level spot that is well off the road and out of the way of traffic to change the tire. Stopping in traffic or on the shoulder of a busy road is dangerous.

⚠ WARNING

Jacking a Vehicle:

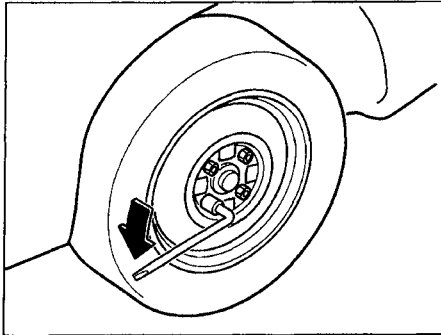
Changing a tire can be dangerous. The vehicle can slip off the jack and seriously injure someone. Be sure to follow the directions for changing a tire, and never get under a vehicle that is supported only by a jack.



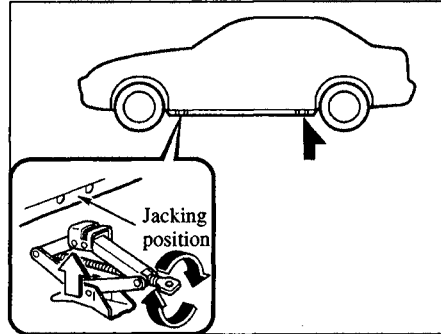
To change a flat tire, follow procedure 1 through 14 carefully.

1. Park on a level surface off the right-of-way and firmly set the parking brake.
2. Put a vehicle with an automatic transmission in park (P), a manual transmission in reverse (R), and turn off the engine.

3. Turn on the hazard warning flasher.
4. Have everyone get out of the vehicle and away from the vehicle and traffic.
5. Remove the jack, jack handle, lug wrench, and spare tire.
6. Block the wheel diagonally opposite the flat tire. When blocking a front wheel, place the block in front of the tire. When blocking a rear wheel, place the block behind the tire.



7. Loosen the lug nuts by turning them counterclockwise one turn each, but don't remove any until the tire has been raised off the ground.



8. Place the jack under the jacking position closest to the tire being changed.

⚠ WARNING

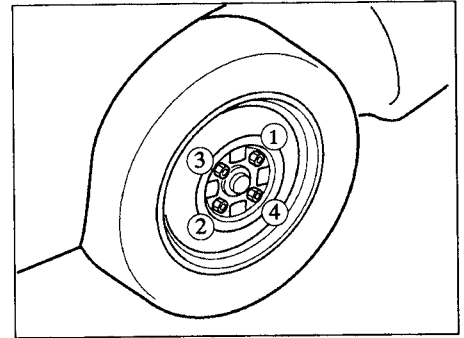
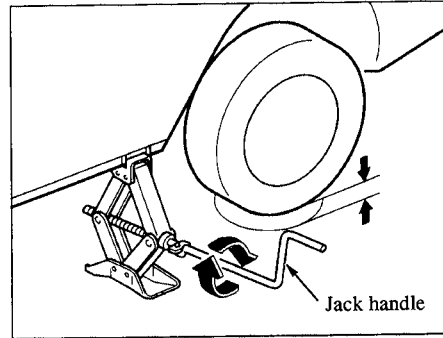
Incorrect Jacking Position:
Attempting to jack the vehicle in positions other than those recommended in this manual is dangerous. The vehicle could slip off the jack and seriously injure or even kill someone. Use only the front and rear jacking positions recommended in this manual.

⚠ WARNING

Improper Jack:
Using a jack that isn't designed for your Mazda could be dangerous. The vehicle could slip off the jack and seriously injure someone. Use only the jack provided with your Mazda.

⚠ WARNING

Placing Objects Under the Jack:
Jacking the vehicle with an object under the jack is dangerous. The jack could slip and someone could be seriously injured by the jack or the falling vehicle. Never place objects under the jack.



9. Insert the jack handle into the jack and turn it clockwise until the tire just clears the ground, less than 25 mm (1 in). Before removing the lug nuts, make sure your Mazda is firmly in position and that it cannot slip or move.
10. Remove the lug nuts by turning them counterclockwise; then remove the wheel.
11. Mount the spare tire.
12. Install the lug nuts with the beveled edge inward; tighten them by hand.

13. Turn the jack handle counterclockwise and lower the vehicle. Use the lug wrench to tighten the nuts in the order shown.

If you're unsure of how tight the nuts should be, have them inspected at a service station. The specified torque is 88 to 118 N·m (9.0 to 12.0 kgf·m, 65 to 87 ft·lbf).

 **WARNING**

Loose Lug Nuts:

Improperly or loosely tightened lug nuts are dangerous. The wheel could wobble or come off. This could result in loss of vehicle control and cause a serious accident. Always securely and correctly tighten the lug nuts.

 **WARNING**

Metric Studs and Lug Nuts:

Because the wheel studs and lug nuts on your Mazda have metric threads, using a non-metric nut is dangerous. On a metric stud, it would not secure the wheel and would damage the stud, which could cause the wheel to slip off and cause an accident. Be sure to reinstall the same nuts you removed or replace them with metric nuts of the same configuration.

 **WARNING**

Incorrect Tire Air Pressure:

Driving on tires with incorrect air pressure is dangerous. Tires with incorrect pressure could affect handling and result in an accident. Don't drive with any tires that have incorrect air pressure. When you check the regular tire's air pressure, check the spare tire, too.

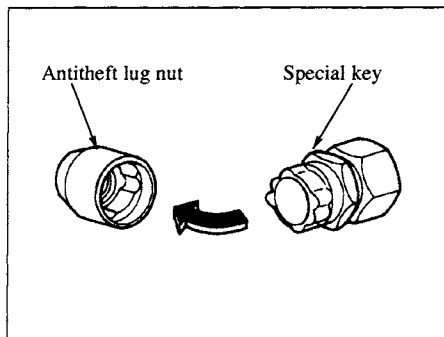
14. Temporarily store the damaged tire. Have it repaired and replace the spare with it as soon as possible.

NOTE

To prevent the jack, jack handle, and tool bag from rattling, store them properly.

■ Locking Lug Nuts*

If your vehicle has optional anti-theft wheel lug nuts, one on each wheel will lock and you must use a special key to unlock them. This key is attached to the lug wrench and is stored with the spare tire. Register them with the lock manufacturer by filling out the card provided in the glove box and mailing it in the accompanying envelope. If you lose your key, consult an Authorized Mazda Dealer or use the lock manufacturer's order form, which is with the registration card.



▼ To replace the nut

1. Place the key on top of the nut.
2. Place the lug wrench on top of the key, apply pressure, and turn it clockwise.

▼ To remove an anti-theft lug nut

1. Get the key for the locking lug nut.
2. Place it on top of the nut, and be sure to hold the key square to it. If you hold the key at an angle, you may damage both key and nut. Don't use a power impact wrench.
3. Place the lug wrench on top of the key and apply pressure. Turn the wrench counterclockwise.

■ Spare Tire

Your Mazda has a temporary spare tire. It's lighter and smaller than a conventional tire, is designed only for emergency use and should be used only for VERY short periods. Temporary spares should NEVER be used for long drives or extended periods.

WARNING

Driving with a Temporary Spare Tire on Ice or Snow:

Driving with a spare tire on the rear (driving) wheels on ice or snow is dangerous. Handling will be affected. You could lose control of the vehicle and have an accident. Put the spare tire on the front axle and move a regular tire to the rear.

CAUTION

To avoid damage to the temporary spare or to the vehicle, observe the following:

- Don't exceed 80 km/h (50 mph).
- Avoid driving over obstacles. Also, don't drive through an automatic car wash. This tire's diameter is smaller than a conventional tire's, so the ground clearance is reduced about 25 mm (1 in).
- Don't use a tire chain on this tire because it won't fit properly.
- Don't use your temporary spare on any other vehicle; it has been designed only for your Mazda.
- Use only one temporary spare tire on your vehicle at the same time.

(Continued)

(With limited slip differential)

- In case of using the temporary spare tire on the rear axle, replace with the standard tire as soon as possible. The size difference between the spare and the standard tire will cause malfunction of the limited slip differential.

7

Appearance Care

This section features care, inside and out, of your Mazda...how best to keep it clean and looking good.

Be aware that appearance is not the only reason for cleanliness. Road grime tends to eat away at the metal, so keeping your vehicle clean in the way Section 7 prescribes will help prevent its early deterioration and rusting.

How to Minimize Environmental Paint Damage	7- 2
Exterior Care	7- 4
Interior Care	7-11

How to Minimize Environmental Paint Damage

The paintwork on your Mazda represents the latest technical developments in composition and methods of application.

Environmental hazards, however, can harm the paint's protective properties, if proper care is not taken.

Here are some examples of possible damage, with tips on how to prevent them.

■ Etching Caused by Acid Rain or Industrial Fallout

▼ Occurrence

Industrial pollutants and vehicle emissions drift into the air and mix with rain or dew to form acids. These acids can settle on a vehicle's finish. As the water evaporates, the acid becomes concentrated and can damage the finish. And the longer the acid remains on the surface, the greater the chance is for damage.

▼ Prevention

It is necessary to wash and wax your vehicle to preserve its finish according to the instructions in this section. These steps should be taken immediately after you suspect that acid rain has settled on your vehicle's finish.

■ Damage Caused by Bird Dropping, Insects, or Tree Sap

▼ Occurrence

Bird droppings contain acids. If these aren't removed they can eat away the clear and color base coat of the vehicle's paintwork.

When insects stick to the paint surface and decompose, corrosive compounds form. These can erode the clear and color base coat of the vehicle's paintwork if they are not removed.

Tree sap will harden and adhere permanently to the paint finish. If you scratch the sap off while it is hard, some vehicle paint could come off with it.

▼ **Prevention**

It is necessary to have your Mazda washed and waxed to preserve its finish according to the instructions in this section. This should be done as soon as possible.

Bird droppings can be removed with a soft sponge and water. If you are traveling and these are not available, a moistened tissue may also take care of the problem. The cleaned area should be waxed according to the instructions in this section.

Insects and tree sap are best removed with a soft sponge and water or a commercially available chemical cleaner.

Another method is to cover the affected area with dampened newspaper for one to two hours. After removing the newspaper, rinse off the loosened debris with water.

■ **Water Marks**

▼ **Occurrence**

Rain, fog, dew, and even tap water can contain harmful minerals such as salt and lime. If moisture containing these minerals settles on the vehicle and evaporates, the minerals will concentrate and harden to form white rings. The rings can damage your vehicle's finish.

▼ **Prevention**

It is necessary to wash and wax your vehicle to preserve its finish according to the instructions in this section. These steps should be taken immediately after you find water marks on your vehicle's finish.

■ **Paint Chipping**

▼ **Occurrence**

Paint chipping occurs when gravel is thrown in the air by another vehicle's tires hits your vehicle.

▼ **How to avoid paint chipping**

Keeping a safe distance between you and the vehicle ahead reduces the chances of having your paint chipped by flying gravel.

Exterior Care

NOTE

- The paint chipping zone varies with the speed of the vehicle. For example, when traveling at 90 km/h (56 mph), the paint chipping zone is 50 m (164 ft).
- In low temperatures a vehicle's finish hardens. This increases the chance of paint chipping.
- Chipped paint can lead to rust forming on your Mazda. Before this happens, repair the damage by using Mazda touch-up paint according to the instructions in this section. Failure to repair the affected area could lead to serious rusting and expensive repairs.

Follow **all** label and container directions when using a chemical cleaner or polish. Read all warnings and cautions.

■ Maintaining the Finish

▼ Washing

To help protect the finish from rust and deterioration, wash your Mazda thoroughly and frequently, at least once a month, with lukewarm or cold water.

If the vehicle is washed improperly, the paint surface could be scratched. Here are some examples of how scratching could occur.

Scratches occur on the paint surface when:

- The vehicle is washed without first rinsing off dirt and other foreign matter.
- The vehicle is washed with a rough, dry, or dirty cloth.
- The vehicle is washed at a car wash that uses brushes that are dirty or too stiff.

- Cleansers or wax containing abrasives are used.

NOTE

- Mazda is not responsible for scratches caused by automatic car washes or improper washing.
- Scratches are more noticeable on vehicles with darker paint finishes.

To minimize scratches on the vehicle's paint finish:

- Rinse off any dirt or other foreign matter using lukewarm or cold water before washing.
- Use plenty of lukewarm or cold water and a soft cloth when washing the vehicle. Do not use a nylon cloth.
- Rub gently when washing or drying the vehicle.

- Take your vehicle only to a car wash that keeps its brushes well maintained.
- Don't use abrasive cleansers or wax that contain abrasives.

 **CAUTION**

- Don't use steel wool, abrasive cleaners, or strong detergents containing highly alkaline or caustic agents on chrome-plated or anodized aluminum parts. This may damage the protective coating; also, cleaners and detergents may discolor or deteriorate the paint.
- To prevent damaging the antenna, retract it before entering a car wash facility or passing beneath a low overhead clearance.

Pay special attention to removing salt, dirt, mud, and other foreign material from the underside of the wings, and make sure the drain holes in the lower edges of the doors and rocker panels are clean.

Insects, tar, tree sap, bird droppings, industrial fallout, and similar deposits can damage the finish if not removed immediately. When prompt washing with plain water is ineffective, use a mild soap made for use on vehicles.

Thoroughly rinse off all soap with lukewarm or cold water. Don't allow soap to dry on the finish.

After washing the vehicle, dry it with a clean chamois to prevent water spots from forming.

 **WARNING**

Driving with Wet Brakes:

Driving with wet brakes is dangerous. Increased stopping distance or the vehicle pulling to one side when braking could result in a serious accident. Light braking will indicate whether the brakes have been affected. Dry the brakes by driving very slowly and applying the brakes lightly until brake performance is normal.

▼ **Waxing**

Your vehicle needs to be waxed when water no longer beads on the finish. Always wash and dry the vehicle before waxing it. In addition to the vehicle body, wax the metal trim to maintain its luster.

1. Use wax which contains no abrasives. Waxes containing abrasive will remove paint and could damage bright metal parts.
2. Use a good grade of natural wax for metallic, mica, and solid colors.
3. When waxing, coat evenly with the sponge supplied or a soft cloth.
4. Wipe off the wax with a soft cloth.

NOTE

A spot remover to remove oil, tar, and similar materials will usually also take off the wax. Rewax these areas even if the rest of the vehicle doesn't need it.

■ Repairing Damage to the Finish

Deep scratches or chips on the finish should be repaired promptly. Exposed metal quickly rusts and can lead to major repairs.

CAUTION

If your Mazda is damaged and needs metal parts repaired or replaced, make sure the body shop applies anti-corrosion materials to all parts, both repaired and new. This will prevent them from rusting.

■ Bright-Metal Maintenance

- Use tar remover to remove road tar and insects. Never do this with a knife or similar tool.
- To prevent corrosion on bright-metal surfaces, apply wax or chrome preservative and rub it to a high luster.
- During cold weather or in coastal areas, cover bright-metal parts with a coating of wax or preservative heavier than usual. It would also help to coat them with noncorrosive petroleum jelly or some other protective compound.

■ Underbody Maintenance

Road chemicals and salt used for ice and snow removal and solvents used for dust control may collect on the underbody. If not removed, they will speed up rusting and deterioration of such underbody parts as fuel lines, frame, floor pan, and exhaust system, even though these parts may be coated with anti-corrosive material.

Thoroughly flush the underbody and wheel housings with lukewarm or cold water at the end of each winter. Try also to do this every month.

Pay special attention to these areas because they easily hide mud and dirt. **It will do more harm than good to wet down the road grime without removing it.**

The lower edges of doors, rocker panels, and frame members have drain holes that should not be clogged. Water trapped there will cause rusting.

 **WARNING**

Driving with Wet Brakes:

Driving with wet brakes is dangerous. Increased stopping distance or the vehicle pulling to one side when braking could result in a serious accident. Light braking will indicate whether the brakes have been affected. Dry the brakes by driving very slowly and applying the brakes lightly until brake performance is normal.

■ **Aluminum Wheel Maintenance**

A protective coating is provided over the aluminum wheels. Special care is needed to protect this coating.

NOTE

- Don't use a wire brush or any abrasive cleaner, polishing compound, or solvent on aluminum wheels. They may damage the coating.
- Only use a mild soap or neutral detergent and always use a sponge or soft cloth to clean the wheels. Rinse thoroughly with lukewarm or cold water. Also, be sure to clean the wheels after driving on dusty or salted roads. This helps prevent corrosion.
- Avoid washing your vehicle in an automatic car wash that uses high-speed or hard brushes.
- If your aluminum wheels lose luster, wax the wheels.

■ **Convertible Top Maintenance**

The convertible top is made of a special high-grade material, but if it's not taken good care of, hardening, staining, and loss of luster will result. Maintain it under these guidelines.

▼ **Washing**

Don't wait until the top gets really dirty before cleaning it. Dirt that's there too long will cause deterioration.

1. Gently clean the top with a synthetic neutral detergent, lots of water, and a soft brush.
2. Rinse it thoroughly with clean water to remove all the soap.
3. Wipe it as dry as you can before the water dries on it.
4. Then allow it to dry completely before lowering it.

 **CAUTION**

- Automatic and high-pressure car washes are harmful to a convertible top. Avoid them.
- Don't spray water directly on the area where the window glass and the top meet. This would probably cause water to enter the cabin.

▼ **Appearance**

Dress the top once a month after washing and drying it well. For best results, use a water-based leather treatment or vinyl top dressing.

 **CAUTION**

- Some leather treatment products can ruin the top's gloss. Be careful of the one you choose.
 - Don't get any car wax on the top. If you do, remove it with a good leather cleaner.
 - Too much treatment on the top can be as damaging as too little. Follow the manufacturer's directions.
- Don't overdo it!
- Let the top dry completely before lowering after applying treatment or dressing.

■ Detachable Hardtop Maintenance

▼ Washing

To help protect the hardtop's finish, use a soft cloth or sponge to wash it.

Insects, tar, tree sap, bird droppings, industrial fallout, and similar deposits can damage the finish if they are not removed immediately. When prompt washing with plain water is ineffective use a mild soap made for use on vehicles.

CAUTION

- Don't use an automatic car wash.
- Don't use strong soap, chemical detergents, or hot water, and don't wash the hardtop in direct sunlight or when the surface is warm.

Thoroughly rinse with lukewarm or cold water. Don't allow soap to dry on the finish.

▼ Waxing

Wax the hardtop when water no longer beads on the paint. Always wash and dry it before waxing.

NOTE

A spot remover to remove oil, tar, and similar materials will usually also take off the wax. Rewax these areas.

CAUTION

- Wiping off dust or dirt with a dry cloth will scratch the finish.
- Don't use abrasive wax. This may damage the protective coating and discolor or deteriorate the paint.

Interior Care

■ Dashboard Precautions

Prevent caustic solutions such as perfume and cosmetic oils from contacting the dashboard. They'll damage and discolor it. If these solutions get on the dashboard, wipe them off immediately.

■ Cleaning the Upholstery and Interior Trim

▼ Vinyl

Remove dust and loose dirt from vinyl with a whisk broom or vacuum cleaner. Clean vinyl with a leather-and-vinyl cleaner.

▼ Leather

Real leather isn't uniform and may have scars, scratches, and wrinkles. Clean it with a leather cleaner or mild soap.

If the leather gets wet from rain, remove the moisture as soon as possible and dry in a shaded area.

If the seats get wet, promptly remove moisture with a dry cloth and allow it to further dry in a shaded area. If moisture is not removed, it will cause hardening and shrinkage of the leather.

Do not leave vinyl products on the seats for long periods as they may affect the leather quality and coloring.

▼ Fabric

Remove dust and loose dirt from fabric with a whisk broom or vacuum cleaner. Clean it with a mild soap solution good for upholstery and carpets. Remove fresh spots immediately with a fabric spot cleaner.

To keep the fabric looking clean and fresh, take care of it. Otherwise its color will be affected, it can be stained easily, and its fire-resistance may be reduced.

CAUTION

Use only recommended cleaners and procedures. Others may affect appearance and fire-resistance.

■ Cleaning the Lap/Shoulder Belt Webbing

Clean the webbing with a mild soap solution recommended for upholstery or carpets. Follow instructions. Don't bleach or dye the webbing; this may weaken it.

WARNING

Damaged Seat Belt:

Using damaged seat belts is dangerous. In a collision, damaged belts cannot provide adequate protection. Have your Authorized Mazda Dealer replace damaged belts immediately.

■ Cleaning the Window Interiors

If the windows become covered with an oily, greasy, or waxy film, clean them with glass cleaner. Follow the directions on the container.

CAUTION

Don't scrape or scratch the inside of the rear window. You may damage the rear window defroster grid.

8

Maintenance

Because your Mazda is a large piece of intricate machinery, it needs regular care in the form of maintenance and servicing. Many owners prefer to do much of this work themselves.

So Section 8 has been prepared as a guide for the operator who wants to self-service such minor jobs as changing the engine oil, replacing bulbs and wiper blades, charging the battery, and rotating the tires. All maintenance schedules are included, along with instructions on how to make regular inspections of such things as fluid levels.

Introduction	8- 2
Scheduled Maintenance	8- 3
Owner Maintenance	8- 9

Introduction

Be extremely careful and prevent injury to yourself and others or damage to your vehicle when using this manual for inspection and maintenance.

If you're unsure about any procedure it describes, we strongly urge you to have a reliable and qualified service shop perform the work, preferably an Authorized Mazda Dealer.

Factory-trained Mazda technicians and genuine Mazda parts are best for your vehicle. Without this expertise and the parts that have been designed and made especially for your Mazda, inadequate, incomplete, and insufficient servicing may result in problems. This could lead to vehicle damage or an accident and injuries.

For expert advice and quality service, consult an Authorized Mazda Dealer.

The owner should retain evidence that proper maintenance has been performed as prescribed.

A claim against a warranty will not qualify if it results from lack of maintenance and not from defective material or authorized Mazda workmanship.

Any auto repair shop using parts equivalent to your Mazda's original equipment may perform maintenance. **But we recommend that it always be done by an Authorized Mazda Dealer using genuine Mazda parts.**

Scheduled Maintenance

Follow Schedule 1 if the vehicle is operated mainly where none of the following conditions apply. If any do apply, follow Schedule 2 (Puerto Rico residents follow Schedule 2).

- Repeated short-distance driving
- Driving in dusty conditions
- Driving with an extended use of brakes
- Driving in areas where salt or other corrosive materials are being used
- Driving on rough or muddy roads
- Extended periods of idling or low-speed operation
- Driving for a prolonged period in cold temperatures or extremely humid climates

NOTE

After the described period, continue to follow the described maintenance at the recommended intervals.

Maintenance

I : Inspect and repair, clean, adjust, or replace if necessary. (Oil-permeated air filter cannot be cleaned using the air-blow method.)

R: Replace

Schedule 1

MAINTENANCE INTERVALS MAINTENANCE ITEM	Number of months or kilometers (miles), whichever comes first								
	Months	6	12	18	24	30	36	42	48
	× 1000 km (× 1000 miles)	12 (7.5)	24 (15)	36 (22.5)	48 (30)	60 (37.5)	72 (45)	84 (52.5)	96 (60)
Drive belts (tension)					I				I
Engine oil	R	R	R	R	R	R	R	R	R
Engine oil filter	R	R	R	R	R	R	R	R	R
Engine timing belt	Replace every 96,000 km (60,000 miles)								
Engine valve clearance									I
Hoses and tubes for emission									I*
Air filter					R				R
Spark plugs					R				R
Cooling system					I				I

*: According to state and federal regulations, failure to perform maintenance on these items will not void your emissions warranties. However, Mazda recommends that all maintenance services be performed at the recommended time or kilometrage (mileage) period to ensure long-term reliability.

I : Inspect and repair, clean, adjust, or replace if necessary.
 L : Lubricate R : Replace

Schedule 1 (Cont'd)

MAINTENANCE INTERVALS MAINTENANCE ITEM	Number of months or kilometers (miles), whichever comes first								
	Months	6	12	18	24	30	36	42	48
	× 1000 km (× 1000 miles)	12 (7.5)	24 (15)	36 (22.5)	48 (30)	60 (37.5)	72 (45)	84 (52.5)	96 (60)
Engine coolant	Replace at first 72,000 km (45,000 miles) or 36 months; after that, every 48,000 km (30,000 miles) or 24 months								
Fuel lines and hoses					I*				I*
Idle speed					I				I
Brake lines, hoses and connections					I				I
Disc brakes					I				I
Steering operation and linkages					I				I
Front suspension ball joints					I				I
Drive shaft dust boots					I				I
Bolts and nuts on chassis and body					I				I
Exhaust system heat shields					I				I
All locks and hinges	L	L	L	L	L	L	L	L	L
Manual transmission oil									R
Rear differential oil									R
Air conditioner refrigerant (if installed)			I		I		I		I
Air conditioner compressor (if installed)			I		I		I		I

*: According to state and federal regulations, failure to perform maintenance on these items will not void your emissions warranties. However, Mazda recommends that all maintenance services be performed at the recommended time or kilometrage (mileage) period to ensure long-term reliability.

Maintenance

I : Inspect and repair, clean, adjust, or replace if necessary. (Oil-permeated air filter cannot be cleaned using the air-blow method.)
 R: Replace

Schedule 2

MAINTENANCE INTERVALS		Number of months or kilometers (miles), whichever comes first												
		Months	4	8	12	16	20	24	28	32	36	40	44	48
		× 1000 km	8	16	24	32	40	48	56	64	72	80	88	96
MAINTENANCE ITEM		(× 1000 miles)	(5)	(10)	(15)	(20)	(25)	(30)	(35)	(40)	(45)	(50)	(55)	(60)
Drive belts (tension)								I						I
Engine oil	Except Puerto Rico	R	R	R	R	R	R	R	R	R	R	R	R	R
	Puerto Rico	Replace every 5,000 km (3,000 miles) or 3 months												
Engine oil filter		R	R	R	R	R	R	R	R	R	R	R	R	R
Engine timing belt		Replace every 96,000 km (60,000 miles)												
Engine valve clearance														I
Air filter				I*				R			I*			R
Spark plugs								R						R
Cooling system								I						I

*: According to state and federal regulations, failure to perform maintenance on these items will not void your emissions warranties. However, Mazda recommends that all maintenance services be performed at the recommended time or kilometrage (mileage) period to ensure long-term reliability.

I : Inspect and repair, clean, adjust, or replace if necessary.
L : Lubricate

Schedule 2 (Cont'd)

MAINTENANCE INTERVALS MAINTENANCE ITEM	Number of months or kilometers (miles), whichever comes first												
	Months	4	8	12	16	20	24	28	32	36	40	44	48
	× 1000 km (× 1000 miles)	(5)	(10)	(15)	(20)	(25)	(30)	(35)	(40)	(45)	(50)	(55)	(60)
Engine coolant	Replace at first 72,000 km (45,000 miles) or 36 months; after that, every 48,000 km (30,000 miles) or 24 months												
Engine coolant level	I	I	I	I	I	I	I	I	I	I	I	I	I
Fuel lines and hoses							I*						I*
Idle speed							I						I
Hoses and tubes for emission													I*
Function of all lights	I	I	I	I	I	I	I	I	I	I	I	I	I
Brake lines, hoses and connections							I						I
Brake and clutch fluid level	I	I	I	I	I	I	I	I	I	I	I	I	I
Disc brakes			I				I		I				I
Tire inflation pressure and tire wear	I	I	I	I	I	I	I	I	I	I	I	I	I
Steering operation and linkages							I						I
Power steering fluid level	I	I	I	I	I	I	I	I	I	I	I	I	I
Front suspension ball joints							I						I
Bolts and nuts on chassis and body			I				I		I				I
Exhaust system heat shields							I						I
All locks and hinges	L	L	L	L	L	L	L	L	L	L	L	L	L

*: According to state and federal regulations, failure to perform maintenance on these items will not void your emissions warranties. However, Mazda recommends that all maintenance services be performed at the recommended time or kilometrage (mileage) period to ensure long-term reliability.

Maintenance

I : Inspect and repair, clean, adjust, or replace if necessary.
R: Replace

Schedule 2 (Cont'd)

MAINTENANCE INTERVALS MAINTENANCE ITEM	Number of months or kilometers (miles), whichever comes first												
	Months	4	8	12	16	20	24	28	32	36	40	44	48
	× 1000 km	8	16	24	32	40	48	56	64	72	80	88	96
	(× 1000 miles)	(5)	(10)	(15)	(20)	(25)	(30)	(35)	(40)	(45)	(50)	(55)	(60)
Manual transmission oil							R						R
Rear differential oil							R						R
Drive shaft dust boots							I						I
Washer fluid level	I	I	I	I	I	I	I	I	I	I	I	I	I
Air conditioner refrigerant (if installed)			I				I			I			I
Air conditioner compressor (if installed)			I				I			I			I

Owner Maintenance

■ Owner Maintenance Schedule

The owner or a qualified service technician should make these vehicle inspections at the indicated intervals to ensure safe and dependable operation.

Bring any problem to the attention of an Authorized Mazda Dealer or qualified service technician as soon as possible.

▼ When refueling

- Brake and clutch fluid level (page 8-18, 8-19)
- Engine coolant level (page 8-15)
- Engine oil level (page 8-13)
- Washer fluid level (page 8-24)

▼ At least monthly

- Tire inflation pressures (page 8-31)

▼ At least twice a year (for example, every spring and fall)

- Automatic transmission fluid level (page 8-22)
- Power steering fluid level (page 8-21)

You can do the following scheduled maintenance items if you have some mechanical ability and a few basic tools and if you closely follow the directions in this manual.

- Air filter (page 8-25)
- Engine coolant (page 8-17)
- Engine oil and oil filter (page 8-13)

■ Owner Maintenance Precautions

Improper or incomplete service may result in problems. This section gives instructions only for items easy to perform.

WARNING

Maintenance Procedures:

Performing maintenance work on a vehicle is dangerous if not done properly. You can be seriously injured while performing some maintenance procedure. If you lack sufficient knowledge and experience or the proper tools and equipment to do the work, have it done by a qualified technician.

As explained in the Introduction (page 8-2), several procedure can be done only by a qualified service technician with special tools.

Improper owner maintenance during the warranty period may affect warranty coverage. For details, read the separate Mazda Warranty statement provided with the vehicle. If you're unsure about any servicing or maintenance procedure, have it done by an Authorized Mazda Dealer.

WARNING

Running the Engine:

Working under the hood with the engine running is dangerous. It becomes even more dangerous when you wear jewelry or loose clothing. Either can become entangled in moving parts and result in injury. Therefore, if you must run the engine while working under the hood, make certain that you remove all jewelry (especially rings, bracelets, watches, and necklaces) and all neckties, scarves, and similar loose clothing before getting near the engine or cooling fan.

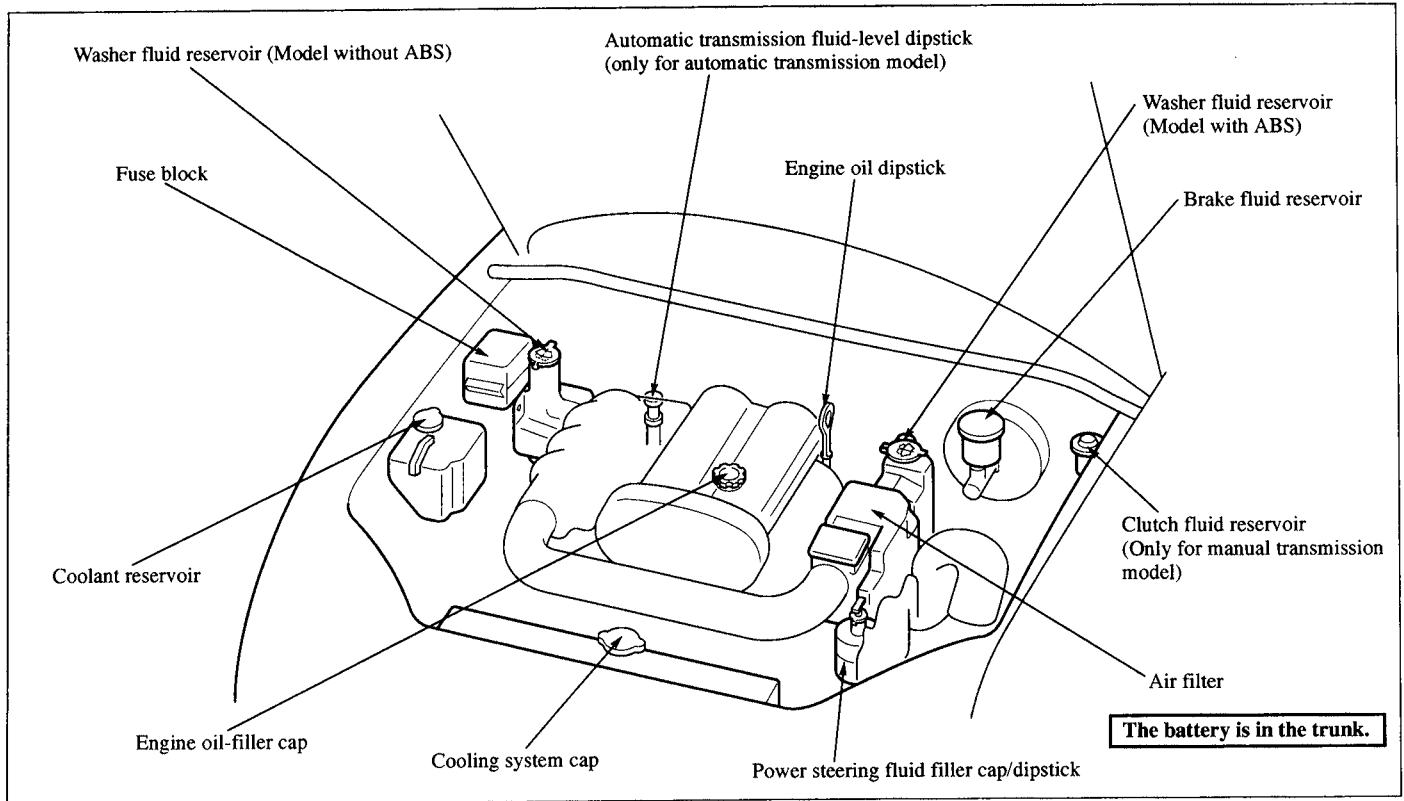
WARNING

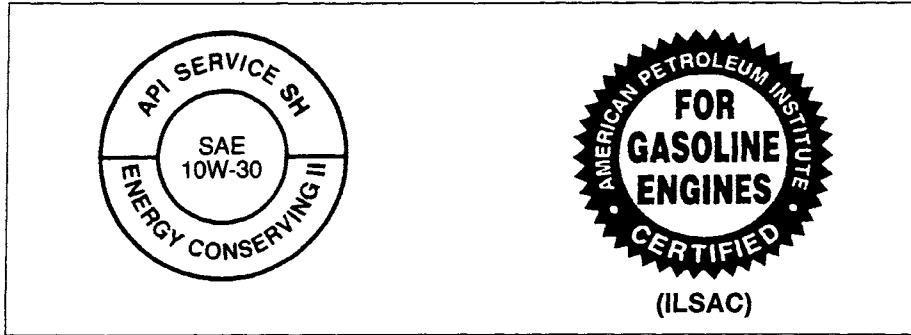
Electrical Fan and Engine

Inspection:

Inspecting the engine with the ignition switch in the ON position is dangerous. The cooling fan could come on unexpectedly even when the engine isn't running. You could be seriously injured by the fan. Turn the ignition switch off and remove the key from the ignition switch when you inspect the engine.

■ Engine Compartment Overview





■ Engine Oil

▼ Recommended oil

Oil container labels provide important information.

The quality designation “SG”, “SH”, “SJ”, or “ILSAC” must be on the label.

Engine oil viscosity, or thickness, has an effect on fuel economy and cold-weather operation (starting and oil flow). Low-viscosity engine oils can provide

improved fuel economy and cold-weather performance. But high-temperature weather conditions require higher-viscosity engine oils for satisfactory lubrication.

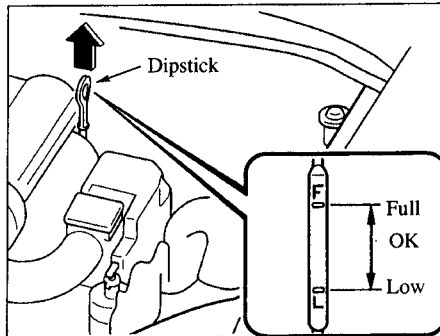
When choosing an oil, consider the temperature range your vehicle will operate in before the next oil change. Then select the recommended viscosity from this chart.

°C (°F)	-30	-20	-10	0	10	20	30	40	50
	-20	0	20	40	60	80	100	120	
Oil									

⚠ CAUTION

Using oils of viscosity besides those recommended for specific temperature ranges could result in engine damage.

Energy conserving oils are recommended. A chief contribution they make to fuel economy is reducing the amount of fuel necessary to overcome engine friction.



▼ Inspecting engine oil level

1. Be sure the vehicle is on a level surface.
2. Warm up the engine to normal operating temperature.
3. Turn it off and wait 5 minutes for the oil to return to the oil pan.
4. Pull out the dipstick, wipe it clean, and reinsert it fully.

5. Pull it out again and examine the level. It's OK between L and F.

But if it's near at or below L, add enough oil to bring the level to F.

⚠ CAUTION

Don't add engine oil over F. This may cause engine damage.

NOTE

The distance between L and F on the dipstick represents **0.8 L (0.85 US qt, 0.70 Imp qt)**.

▼ Changing engine oil and filter

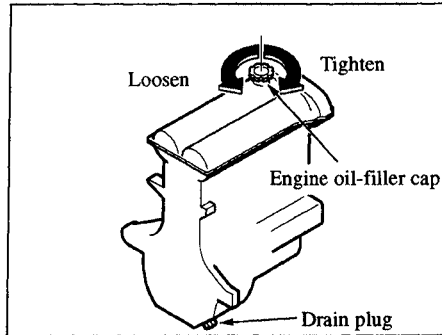
Change engine oil and filter according to Scheduled Maintenance (page 8-3).

Please act responsibly—protect the environment and take used oil to a recycling facility. Ask your dealer or a service station for information.

⚠ WARNING

Handling Used Engine Oil:

Continuous contact with used engine oil is dangerous. It could cause skin cancer. Always wash with soap and water immediately after changing oil and filter.



Changing engine oil

1. Warm up the engine for a few minutes and turn it off. Remove the oil-filler cap.
2. Remove the drain plug and drain the oil into a suitable container.

WARNING

Checking or Changing Engine Oil:
Hot engine oil is dangerous. If the engine has been running, the engine oil becomes very hot. You could be seriously burned. Don't check or change the engine oil when the engine is hot.

3. Replace the plug tightly after the oil has thoroughly drained.
4. Fill the engine with new oil to the F mark on the dipstick.
5. Securely replace the oil-filler cap.
6. Start the engine and inspect around the drain plug for leaks.
7. Turn it off and wait 5 minutes for the oil to return to the oil pan.

Check the oil level and fill to the F mark if necessary.

Oil capacity (General reference only)

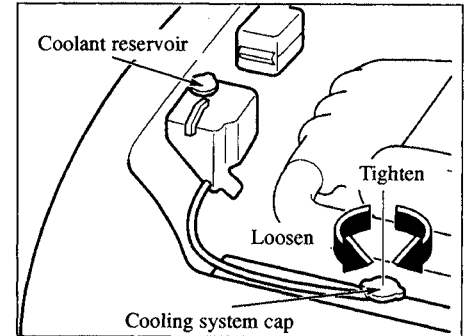
3.6 L (3.8 US qt, 3.2 Imp qt)

NOTE

Use only specified engine oil (page 8-12).

Changing oil filter

Because you need a special tool to retighten the filter, an Authorized Mazda Dealer should do the work.



■ Engine Coolant

▼ Inspecting coolant level

⚠ WARNING

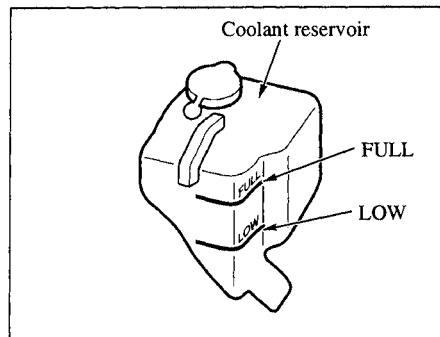
Hot Engine:

A hot engine is dangerous. If the engine has been running, parts of the engine compartment can become very hot. You could be burned. Don't inspect the coolant system or add coolant when the engine is hot.

Inspect the antifreeze protection and coolant level in the coolant reservoir at least once a year—at the beginning of the winter season—and before traveling where temperatures may drop below freezing.

Inspect the condition and connections of all cooling system and heater hoses. Replace any that are swollen or deteriorated.

The coolant should be at full in the radiator and between the FULL and LOW marks on the coolant reservoir when the engine is cool.



If it's at or near LOW, add enough coolant to the coolant reservoir to provide freezing and corrosion protection and to bring the level to FULL.

Do not overfill.

If new coolant is required frequently, consult an Authorized Mazda Dealer.

⚠ CAUTION

Radiator coolant will damage paint.
Rinse it off quickly.

▼ Changing coolant

Change coolant according to Scheduled Maintenance (page 8-3).

⚠ CAUTION

- Use only soft (demineralized) water in the coolant mixture. Water that contains minerals will cut down on the coolant's effectiveness.
- Don't add only water. Always add a proper coolant mixture.
- The engine has aluminum parts and must be protected by an ethylene-glycol-based coolant to prevent corrosion and freezing.

DO NOT USE alcohol or methanol antifreeze. DO NOT MIX alcohol or methanol with the coolant. This could damage the cooling system.

(Continued)

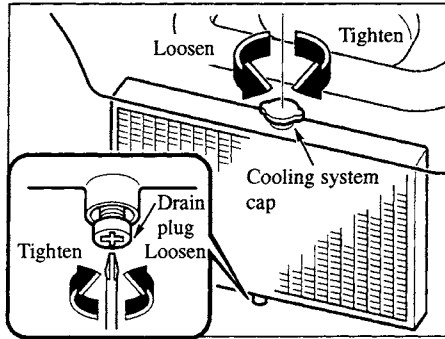
- Don't use a solution that contains more than 60 % antifreeze. This would reduce effectiveness.

For mixture percentage:

Protection	Volume	
	Antifreeze solution	Water
Above -16°C (3°F)	35%	65%
Above -26°C (-15°F)	45	55
Above -40°C (-40°F)	55	45

⚠ WARNING

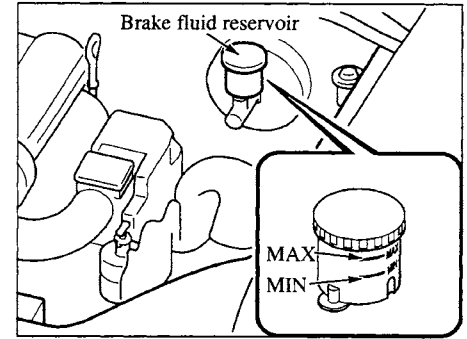
Removing the Cooling System Cap:
Removing the cooling system cap or drain plug while the engine is running or hot is dangerous. This might lead to cooling system and engine damage and could result in serious injury from escaping hot coolant or steam. Turn off the engine and wait until it's cool. Even then, be very careful when removing the cap or drain plug. Wrap a thick cloth around it and slowly turn it counterclockwise to the first stop. Step back while the pressure escapes. When you're sure all the pressure is gone, press down on the cap — still using a cloth — turn the cap, and remove it.



To change coolant

1. Remove the cooling system cap.
2. Only when the engine is cool, remove the radiator drain plug and drain the coolant into a suitable container.
3. Flush out the system with running water.
4. Drain the system completely. Insert and tighten the plug. Add as much ethylene-glycol-based coolant and water as necessary to provide freezing and corrosion protection.

In extremely cold climates, add the amount recommended in the coolant manufacturer's instructions.
5. Run the engine at idle with the cooling system cap off. Slowly add additional coolant if necessary.
6. At this point, wait until the engine reaches normal operating temperature; then depress the accelerator two or three times. Add more coolant, if necessary, until the system is full.
7. Install the cooling system cap. Inspect all connections for leaks. Inspect the level in the coolant reservoir one more time.



■ Inspecting Brake Fluid Level

Inspect the fluid level in the reservoir regularly. It should be kept at MAX. If it's low, add fluid until it reaches MAX.

Before adding fluid, thoroughly clean the area around the cap.

The level normally drops with accumulated distance, a condition associated with wear of brake linings. If it is excessively low, have the brake system inspected by an Authorized Mazda Dealer.

⚠ CAUTION

Brake fluid will damage painted surfaces. If brake fluid does get on a painted surface, wipe it off immediately.

⚠ CAUTION

Using nonspecified brake fluids (see chart, page 10-2) will damage the system. Mixing different fluids will also damage it.

If the brake system frequently requires new fluid, consult an Authorized Mazda Dealer.

⚠ WARNING

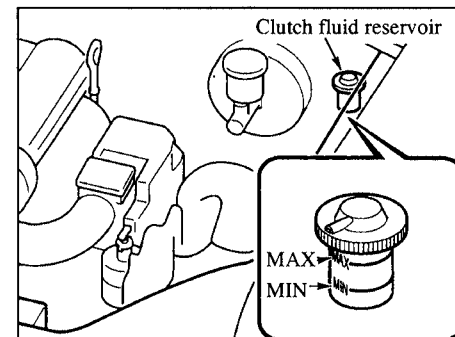
Spilled Brake Fluid:

Spilled brake fluid is dangerous. If it gets in your eyes, they could be seriously injured. If this happens, immediately flush your eyes with water and get medical attention. Brake fluid spilled on a hot engine could cause a fire. Be careful not to spill brake fluid on yourself or on the engine.

⚠ WARNING

Low Brake Fluid Levels:

Low brake fluid levels could be dangerous. Low levels could signal brake lining wear or a brake system leak. Your brakes could fail and cause an accident. If you find a low fluid level, have the brakes inspected.



■ Inspecting Clutch Fluid Level

Inspect the level in the clutch fluid reservoir regularly. It should be kept at MAX. If it's less, add fluid until it reaches MAX.

Before adding fluid, thoroughly clean the area around the cap.

⚠ CAUTION

Clutch fluid will damage painted surfaces. If clutch fluid does get on a painted surface, wipe it off immediately.

⚠ CAUTION

Using nonspecified clutch fluids (see chart, page 10-2) will damage the system. Mixing different fluids will also damage it.

If the clutch system frequently requires new fluid, it should be inspected. Consult an Authorized Mazda Dealer immediately.

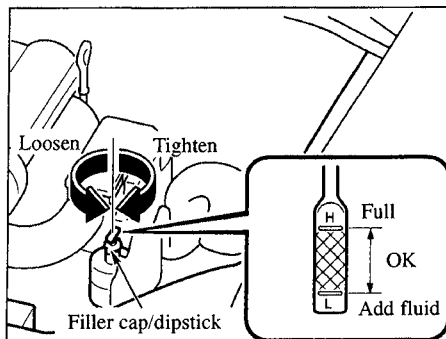
NOTE

Low clutch fluid level may signal a fluid leak. If you find a low fluid level, have the clutch inspected.

⚠ WARNING

Handling Clutch Fluid:

If clutch fluid gets in your eyes, you could be seriously injured. If it spills on a hot engine, a fire could start. Be very careful when handling clutch fluid.



■ Inspecting Power Steering Fluid Level*

Inspect the fluid level at each engine oil change. Add fluid if necessary; it does not require periodic changing.

The level must be kept between the H and L marks.

Visually examine the lines and hoses for leaks and damage.

1. Park on a level surface, well off the right-of-way, and set the parking brake firmly.

2. Turn off the engine and allow it to cool.
3. Remove the filler cap and attached dipstick.
4. Wipe them clean and put them back.
5. Remove again and inspect the level.
6. It must be between H and L. Add fluid if necessary.

Don't overfill.

If new fluid is required frequently, consult an Authorized Mazda Dealer.

⚠ CAUTION

To avoid damage to the power steering pump, don't operate the vehicle for long periods when the power steering fluid level is low.

NOTE

Use specified power steering fluid (chart, page 10-2).

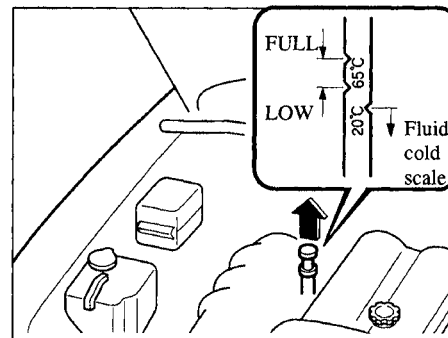
■ Inspecting Automatic Transmission Fluid Level

The automatic transmission fluid level should be inspected regularly. Measure it as described below.

The volume of fluid changes with the temperature. For that reason, it is best to examine the level after having driven the vehicle for 15 minutes. If necessary, however, it can also be inspected without driving when the outside temperature is above 20°C (70°F).

⚠ CAUTION

- Low fluid level causes transmission slippage. Overfilling can cause foaming, loss of fluid, and transmission malfunction.
- Use specified fluid (page 10-2). A nonspecified fluid could result in transmission malfunction and failure.
- The vehicle should not be driven if the fluid level is below the bottom of the dipstick and the outside temperature is above 20°C (70°F), or if evident automatic transmission fluid leaks are found.



1. Park on a level surface and set the parking brake firmly.
2. Idle the engine. Push down on the brake pedal.
3. Move the shift lever through all ranges and set it at P.

 **WARNING**

Sudden Vehicle Movement:
Shifting the shift lever without first depressing the brake pedal is dangerous. The vehicle could move suddenly and cause an accident. Make sure the brake pedal is applied before shifting the shift lever.

4. With the engine still idling, pull out the dipstick, wipe it clean.
5. Put the dipstick back into the filler tube and make sure it is fully seated.
6. Pull the dipstick out and read the fluid level.

The proper fluid level is marked on the dipstick as follows.

▼ Fluid hot scale

When checking the fluid level at normal operating temperature, the fluid level should be within the FULL and LOW marks on the dipstick.

▼ Fluid cold scale

When the vehicle has not been driven but the engine is idling, and the outside temperature is above 20°C (70°F), the fluid level should be close to, but not above, the bottom notch on the dipstick.

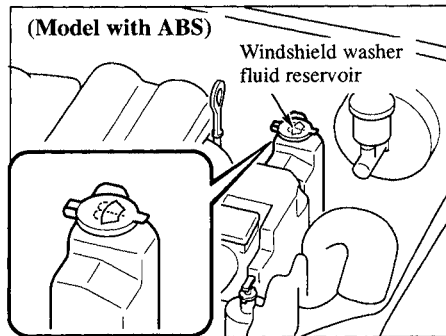
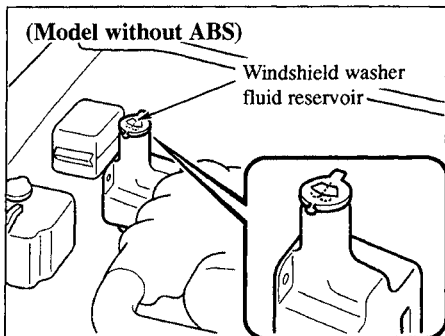
NOTE

Use the cold scale as a reference.

Fully insert the dipstick. When adding fluid, inspect with the dipstick to make sure it doesn't pass full.

NOTE

Inspect both sides of the dipstick for accurate reading.



■ Body Lubrication

All moving points of the body, such as door and hood hinges and locks, should be lubricated each time the engine oil is changed. Use a nonfreezing lubricant on locks during cold weather.

Make sure the engine hood's secondary latch keeps the hood from opening when the primary latch is released.

■ Inspecting Washer Fluid Level

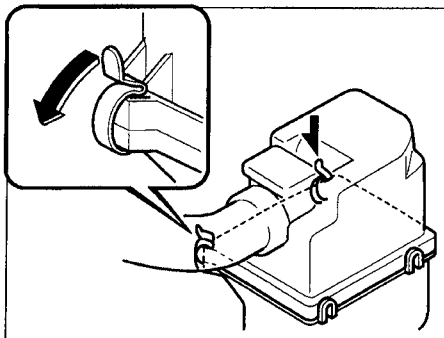
Inspect fluid level in the washer fluid reservoir; add fluid if necessary.

Use plain water if fluid is unavailable. But use only washer fluid in cold weather to prevent it from freezing.

WARNING

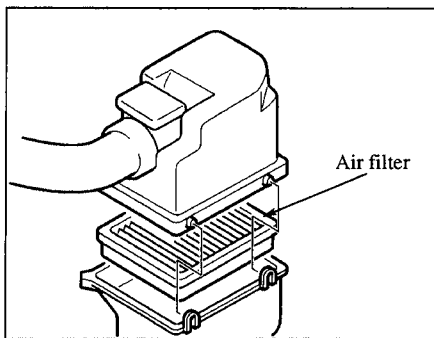
Substitute Washer Fluid:

Using radiator antifreeze as washer fluid is dangerous. If sprayed on the windshield, it will dirty the windshield, affect your visibility, and could result in an accident. Use only windshield washer fluid or plain water in the reservoir.



■ Maintaining the Air Filter

A viscous paper air filter fits inside the air cleaner housing, as shown. It's been specially treated and should not be cleaned and reused. Replace it when necessary.



1. Unfasten the clamps.
2. Lift off the air filter cover and remove the filter.
3. Wipe inside the air cleaner housing with a damp cloth.
4. Replace the filter.
5. Install in the reverse order of removal.

Replace the filter according to Scheduled Maintenance (page 8-3).

NOTE

If the vehicle is operated in very dusty or sandy areas, replace the filter more often than recommended intervals.

⚠ CAUTION

Don't drive without an air filter. This could result in excessive engine wear.

■ Maintaining Wiper Blades

CAUTION

Hot waxes applied by automatic car washes have been known to affect the cleanability of windows.

Contamination of either the windshield or the blades with foreign matter can reduce wiper effectiveness. Common sources are insects, tree sap, and hot wax treatments used by some commercial car washes.

If the blades are not wiping properly, clean the window and blades with a good cleaner or mild detergent; then rinse thoroughly with clean water. Repeat if necessary.

CAUTION

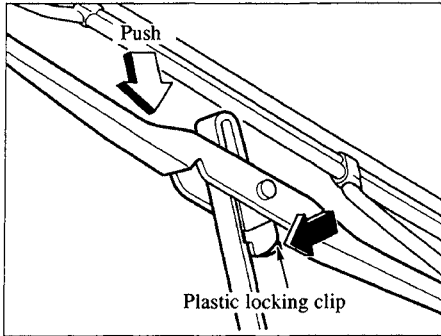
To prevent damage to the wiper blades, don't use gasoline, kerosene, paint thinner, or other solvents on or near them.

■ Replacing Windshield Wiper Blades

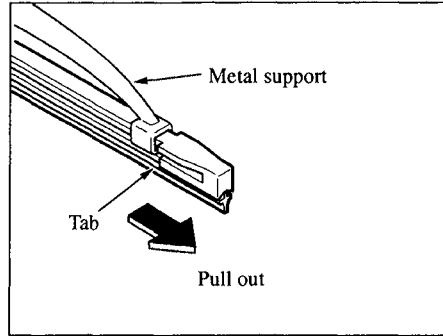
When the wipers no longer clean well, the blades are probably worn or cracked. Replace them.

CAUTION

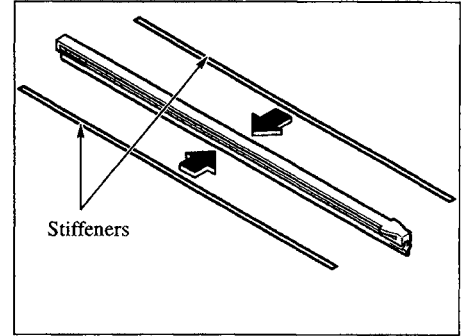
To prevent damage to the wiper arms and other components, don't move the wipers by hand.



1. Raise the wiper arm and turn the blade assembly to expose the plastic locking clip.
2. Compress the clip and slide the assembly downward; then lift it off the arm.



3. Hold the end of the rubber and pull until the tabs are free of the metal support.



4. Remove the metal stiffeners from the blade rubber and install them in new blades.

⚠ CAUTION

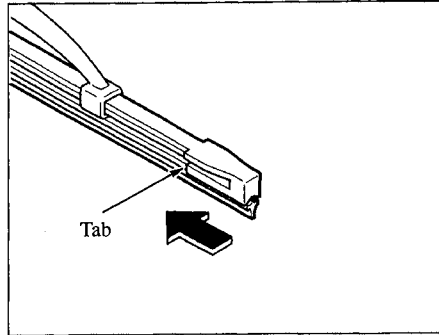
To prevent damage to the windshield, don't let the wiper arm fall on it.

⚠ CAUTION

- Don't bend the stiffeners. You need to use them again.
- If the metal stiffeners are switched, the blade's wiping efficiency could be reduced.

So don't use the driver's side metal stiffeners on the passenger's side, or vice versa.

- Be sure to reinstall the metal stiffeners in the new blade rubber so that the curve is the same as it was in the old blade rubber.



5. Carefully insert the new blade rubber. Then install the blade assembly in the reverse order of removal.

NOTE

Install the blade so that the tabs are toward the bottom of the wiper arm.

■ Battery

⚠ WARNING

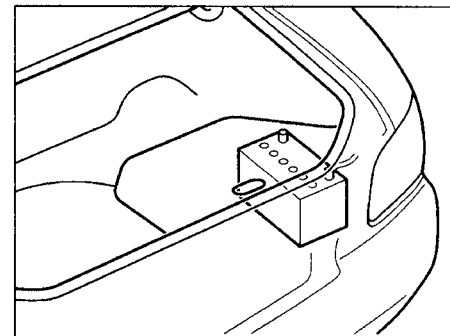
Battery-Related Lead Materials:
Battery posts, terminals and related accessories contain lead and lead compounds, chemicals known to the State of California to cause cancer and reproductive harm.
Wash hands after handling.

⚠ WARNING**Battery-Related Explosion:**

Flames and sparks near open battery cells are dangerous. Hydrogen gas, produced during normal battery operation, could ignite and cause the battery to explode. An exploding battery can cause serious burns and injuries. Keep all flames, including cigarettes, and sparks away from open battery cells.

NOTE

The battery in this vehicle is unique and should only be replaced with the appropriate Mazda battery. For more details, contact your Authorized Mazda Dealer.



The battery is in the trunk.

⚠ WARNING**Children and Batteries:**

Allowing children to play near batteries is dangerous. Battery fluid could cause serious injuries if it gets in the eyes or on the skin. Always keep batteries out of the reach of children.

To get the best service from a battery:

- Keep it securely mounted.
 - Keep the top clean and dry.
 - Keep terminals and connections clean, tight, and coated with petroleum jelly or terminal grease.
 - Rinse off spilled electrolyte immediately with a solution of water and baking soda.
- If the vehicle will not be used for an extended time, disconnect the battery cables.

■ Tires

For reasons of proper performance, safety, and better fuel economy, always maintain recommended tire inflation pressures and stay within the recommended load limits and weight distribution.



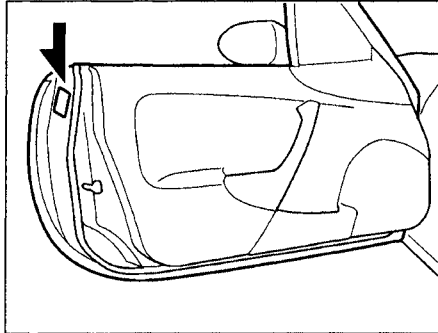
WARNING

Using Different Tire Types:

Driving your vehicle with different types of tires is dangerous. It could cause poor handling and poor braking; leading to loss of control. Except when using the temporary spare tire, use only the same type tires (radial, bias-belted, bias-type) on all four wheels.

⚠ WARNING***Using Wrong-Sized Tires:***

Using any other tire size than what is specified for your Mazda (page 10-4) is dangerous. It could seriously affect ride, handling, ground clearance, tire clearance, and speedometer calibration. This could cause you to have an accident. Use only tires that are the correct size specified for your Mazda.

**▼ Tire inflation pressure**

Inspect all tire pressures monthly (including the spare) when the tires are cold. Maintain recommended pressures for the best ride, top handling, and minimum tire wear.

Refer to the specification charts (page 10-4).

NOTE

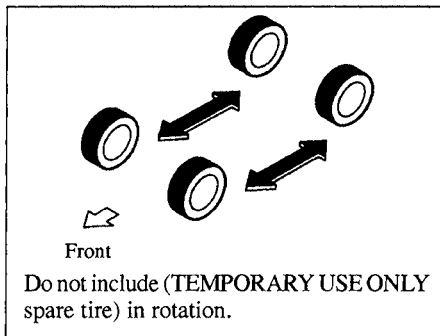
- Warm tires normally exceed recommended pressures. Don't release air from warm tires to adjust the pressure.
- Underinflation can cause reduced fuel economy and poor sealing of the tire bead, which will deform the wheel and cause separation of tire from rim.
- Overinflation can produce a harsh ride and a greater possibility of damage from road hazards.

Keep your tire pressure at the correct levels. If one frequently needs inflating, have it inspected.

WARNING

Incorrect Tire Inflation:

Overinflation or underinflation of tires is dangerous. Adverse handling or unexpected tire failure could result in a serious accident. Always inflate the tires to the correct pressure (page 10-4).



- Improper wheel alignment
- Out-of-balance wheel
- Severe braking

After rotation, bring all tire pressures to specification (page 10-4) and inspect the lug nuts for tightness.

▼ **Tire rotation**

To equalize tread wear, rotate the tires every 6,000 km (3,750 miles), or sooner if irregular wear develops. During rotation, inspect them for correct balance.

Also, inspect them for uneven wear and damage. Abnormal wear is usually caused by one or a combination of the following:

- Incorrect tire pressure

⚠ CAUTION

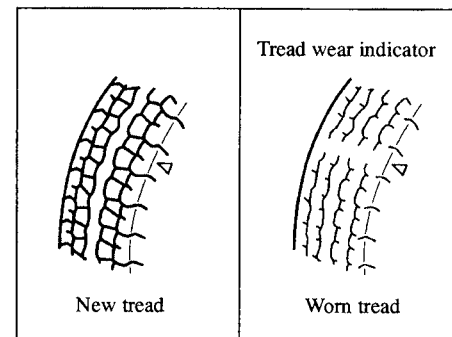
Rotate unidirectional tires and radial tires that have an asymmetrical tread pattern or studs only from front to rear, not from side to side. Tire performance will be weakened if rotated from side to side.

⚠ CAUTION

Limited-Slip Differential system;
don't use the following:

- Tires not of the designated size
- Tires of different sizes or types at the same time
- Tires not sufficiently inflated

If these instructions aren't followed, the rotation of the left and right wheels will be different and will thus apply a constant load on the limited-slip differential. This will cause a malfunction.

**▼ Replacing a tire**

If a tire wears evenly, a wear indicator will appear as a solid band across the tread. Replace the tire when this happens. You may need to replace it before the band is across the entire tread.

 **WARNING**

Worn Tires:

Driving with worn tires is dangerous. Reduced braking, steering, and traction could result in an accident. Always use tires that are in good condition.

▼ **Temporary spare tire**

Inspect the temporary spare tire at least monthly to make sure it's properly inflated and stored.

The temporary spare tire is easier to handle because of its construction. It is lighter and smaller than a conventional tire and should be used only for an emergency and only for a short distance.

Use the temporary only until the conventional tire is repaired, which should be as soon as possible.

Maintain its pressure at 420 kPa (60 psi).

 **CAUTION**

- Don't use your temporary spare tire rim with a snow tire or a conventional tire. Neither will properly fit and could damage both tire and rim.
- The temporary spare tire has a tread life of up to 4,800 km (3,000 miles), depending on road conditions and driving habits.
- When the tread wear solid-band indicator appears, replace the tire with the same type of temporary spare.

▼ Replacing a wheel

When replacing a wheel, make sure the new one is the same as the original factory wheel in diameter, rim width, and offset.

Proper tire balancing provides the best riding comfort and helps reduce tread wear. Out-of-balance tires can cause vibration and uneven wear, such as cupping and flat spots.

⚠ WARNING

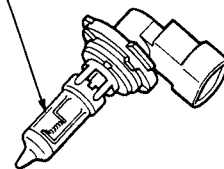
Using a Wrong-Sized Wheel:
Using a wrong-sized wheel is dangerous. Braking and handling could be affected, leading to loss of control and an accident. Always use wheels of the correct size on your vehicle.

⚠ CAUTION

A wrong-sized wheel may adversely affect

- Tire fit
- Wheel and bearing life
- Ground clearance
- Snow-chain clearance
- Speedometer calibration
- Headlight aim
- Bumper height

Glass surface



Do not touch the glass surface

■ Replacing a Headlight Bulb

Your Mazda's headlights have replaceable halogen bulbs.

⚠ WARNING

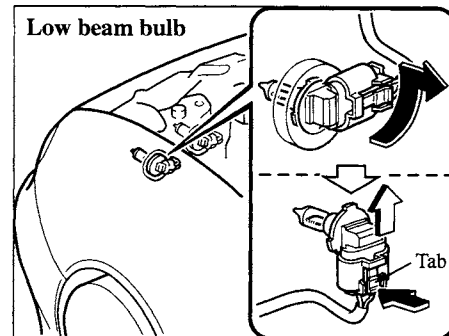
Handling Halogen Bulbs:

When a halogen bulb breaks, it is dangerous. These bulbs contain pressurized gas. If one is broken, it will explode and serious injuries could be caused by the flying glass. If the glass portion is touched with bare hands, body oil could cause the bulb to overheat and explode when lit. Never touch the glass portion of the bulb with your bare hands and always wear eye protection when handling or working around halogen bulbs.

⚠ WARNING

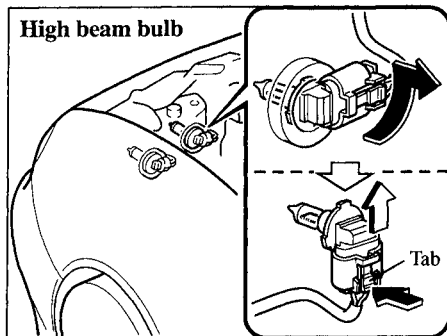
Children and Halogen Bulbs:

Playing with a halogen bulb is dangerous. Serious injuries could be caused by dropping a halogen bulb or breaking it some other way. Always keep halogen bulbs out of the reach of children.



▼ To remove a halogen bulb:

1. Make sure the headlight switch is off.
2. Lift the hood and find the bulb in the rear of the headlight body.
3. Turn the socket and bulb assembly counterclockwise and remove it while holding the rubber socket cover in place. Carefully remove the headlight bulb from its socket in the reflector by gently pulling it straight backward out of the socket.

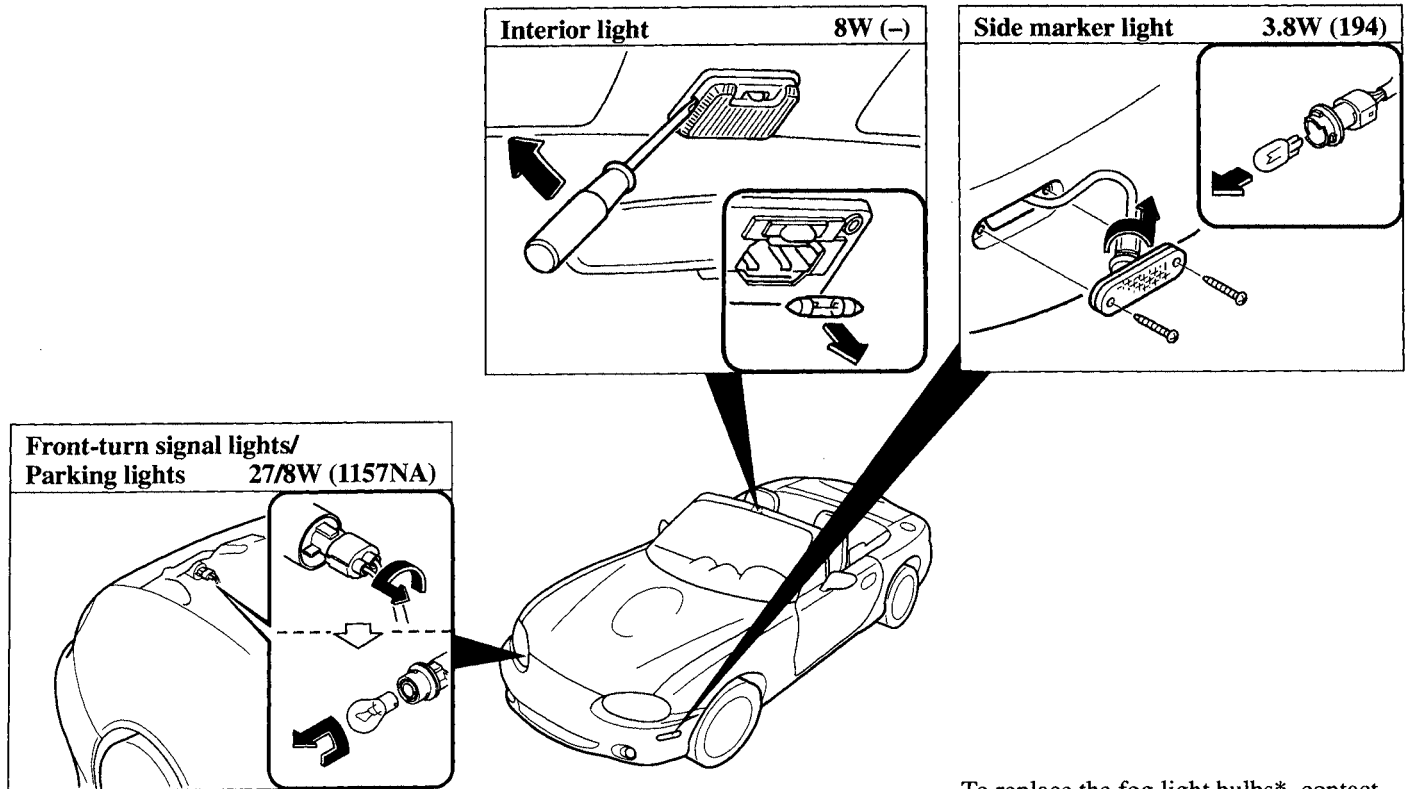
**NOTE**

Use the protective cover and carton to dispose of the old bulb promptly out of the reach of children.

4. Remove the bulb from the electrical connector by pressing the tab on the connector with your finger and pulling the bulb upward.
5. Install the new bulb in the reverse order of removal.

Maintenance

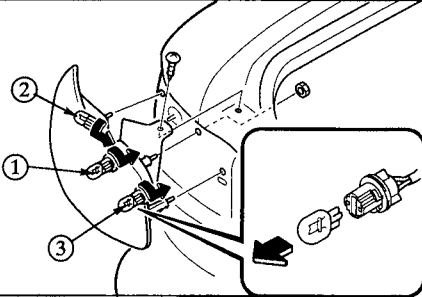
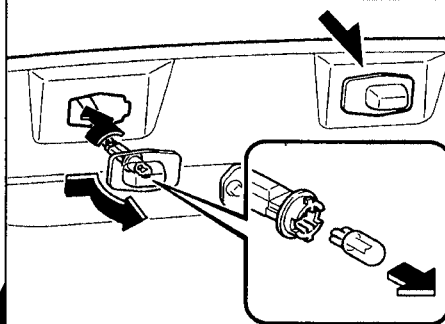
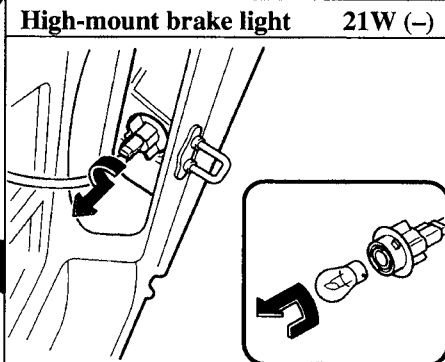
■ Replacing a Bulb (Front, Interior)

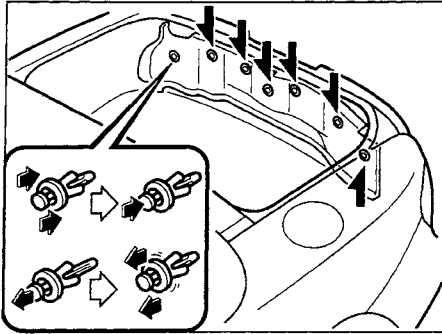


The number in () shows the bulb number.

To replace the fog light bulbs*, contact an Authorised Mazda Dealer.

■ Replacing a Bulb (Rear)

<p>① Rear-turn signal lights 21W (—)</p>	<p>③ Brake lights/Taillights 21/5W (—)</p>	<p>③ Back up lights 21W (—)</p>	<p>License plate light 5W (3652)</p>
<p>For bulb access: Remove the trunk end trim (Refer to next page.)</p> 			
<p>The number in () shows the bulb number.</p>			<p>High-mount brake light 21W (—)</p> 



■ Trunk End Trim

To replace the turn-signal light, brake light/taillight or back-up light bulb, pull the center section of the plastic retainer and remove the retainers and trunk end trim.

9

Customer Information

Who to consult about a problem; what to do if your vehicle has a safety defect; what warranties protect your vehicle; driving outside the United States and Canada; adding equipment; tire quality grades: This is the kind of consumer information you'll find in Section 9.

Customer Assistance	9- 2
Mazda Importer/Distributors	9- 5
Warranties for Your Mazda	9- 6
Outside the United States and Canada	9- 6
Add-On Non-Genuine Parts and Accessories	9- 7
Uniform Tire Quality Grading System (UTQGS)	9- 8
Reporting Safety Defects	9-10
Service Publications	9-11

Customer Information

Customer Assistance (Except Puerto Rico)

Your complete and permanent satisfaction is our business. We are here to serve you. All Authorized Mazda Dealers have the knowledge and the tools to keep your Mazda vehicle in top condition.

If you have any questions or recommendations for improvement regarding the service of your Mazda vehicle or servicing by Mazda Dealer personnel, we recommend that you take the following steps:



STEP 1: Contact Your Mazda Dealer

Discuss the matter with an Authorized Mazda Dealer. This is the quickest and best way to address the issue. If your concern has not been resolved by the CUSTOMER RELATIONS, SALES, SERVICE, or PARTS MANAGER, then please contact the GENERAL MANAGER of the dealership or the OWNER.

STEP 2: Call the Mazda National Customer Assistance Center #800

If for any reason you feel the need for further assistance after contacting your dealership management, call Mazda North American Operations' Customer Assistance Center toll-free at:
1 (800) 222-5500

In order to serve you efficiently and effectively, please help us by providing the following information:

1. Your name, address, and telephone number
2. Year and model of vehicle
3. Vehicle Identification Number (17 digits, noted on your registration or title or located on the upper driver's side corner of the dash)
4. Purchase date and current mileage
5. Your dealer's name and location
6. Your question(s)



If you would like to write a letter, please address it to the following, Attn: Customer Assistance, which corresponds with your state:

REGIONAL OFFICE	AREAS COVERED
Mazda North American Operations 7755 Irvine Center Drive Irvine, CA 92618-2922 P.O. Box 19734 Irvine, CA 92623-9734	All states

This way, we can be sure to respond to you as efficiently as possible. That is our goal.

If you live outside the U.S.A., please contact your nearest Mazda Distributor.

Customer Assistance (Puerto Rico)

Your complete and permanent satisfaction is our business. That is why all Authorized Mazda Dealers have the knowledge and the tools to keep your Mazda vehicle in top condition.

If you have any questions or recommendations for improvement regarding the service of your Mazda vehicle or servicing by Mazda Dealer personnel, we recommend that you take the following steps:

STEP 1

Discuss the matter with an Authorized Mazda Dealer. This is the quickest and best way to address the issue. If your concern has not been resolved by the CUSTOMER RELATIONS, SALES, SERVICE, or PARTS MANAGER, then please contact the GENERAL MANAGER of the dealership or the OWNER.

STEP 2

If, after following STEP 1, you feel the need for further assistance, please contact your area's Mazda representative (Indicated on the next page).

Please help us by providing the following information:

1. Your name, address, and telephone number
2. Year and model of vehicle
3. Vehicle Identification Number (17 digits, noted on your registration or title or located on the upper driver's side corner of the dash)
4. Purchase date and current mileage
5. Your dealer's name and location
6. Your question(s)

Mazda Importer/Distributors

U.S.A. (Importer/Distributor)

Mazda North American Operations

7755 Irvine Center Drive

Irvine, CA 92618-2922

P.O. Box 19734

Irvine, CA 92623-9734

TEL: 1 (800) 222-5500 (in U.S.A.)
(949) 727-1990 (outside U.S.A.)

(Distributor in each area)

CANADA

Mazda Canada Inc.

305 Milner Avenue, Suite 400

Scarborough, Ontario M1B 3V4 Canada

TEL: 1 (800) 263-4680 (in Canada)
(416) 609-9909 (outside Canada)

PUERTO RICO

Plaza Motors Corp. (Mazda de Puerto Rico)

P.O. Box 362722, San Juan, Puerto Rico 00936-2722

TEL: (787) 788-9300

GUAM

Triple J Motors

157 South Marine Drive, Tamuning,

GUAM 96911 USA

P.O. Box 6066 Tamuning, Guam 96931

TEL: (671)-649-6555

SAIPAN

Pacific International Marianas, Inc.

(d.b.a. Midway Motors)

P.O. Box 887 Saipan, MP 96950

TEL: (670) 234-7524

AMERICAN SAMOA

Polynesia Motors, Inc.

P.O. Box 1120, Pago Pago, American Samoa 96799

TEL: (684) 699-9347

Warranties for Your Mazda

- New Vehicle Limited Warranty
- Safety Restraint System Limited Warranty
- Anti-perforation Limited Warranty
- Federal Emission Control Warranty
 - Emission Defect Warranty
 - Emission Performance Warranty
- California Emission Control Warranty (if applicable)
- Replacement Parts and Accessories Limited Warranty
- Tire Warranty

NOTE

Detailed warranty information is provided with your Mazda.

Outside the United States and Canada

Government regulations in the United States require that automobiles meet specific emission regulations and safety standards. Therefore, vehicles built for use in the United States, its territories, and Canada may differ from those sold in other countries.

The differences may make it difficult or even impossible for your vehicle to receive satisfactory servicing in other countries. We strongly recommend that you NOT take your Mazda outside these areas.

You may have these problems if you do:

- Recommended fuel may be unavailable. Any kind of leaded fuel or low-octane fuel will affect vehicle performance and damage the emission controls and engine.
- Proper repair facilities, tools, testing equipment, and replacement parts may not be available.

The Mazda warranty applies only to Mazda vehicles registered and normally operated in the United States, its territories, and Canada.

Add-On Non-Genuine Parts and Accessories

Non-genuine parts and accessories for Mazda vehicles can be found in stores. These may fit your vehicle, but they are not approved by the Mazda for use with Mazda vehicles. When you install non-genuine parts or accessories, they could affect your vehicle's performance or safety system; the Mazda warranty doesn't cover this. Before you install any non-genuine parts or accessories, consult an Authorized Mazda Dealer.

WARNING

Installation of Non-Genuine Parts or Accessories:

Installation of non-genuine parts or accessories is dangerous. Improperly designed parts or accessories could seriously affect your vehicle's performance or safety system. This could cause you to have an accident or increase your chances of injuries in an accident. Always consult an Authorized Mazda Dealer before you install non-genuine parts or accessories.

WARNING

Add-On Electrical and Electronic Equipment:

Incorrectly choosing or installing improper add-on equipment or choosing an improper installer is dangerous. Essential systems could be damaged, causing engine stalling, air-bag (SRS) activation, ABS inactivation, or a fire in the vehicle. Be very careful in choosing and installing add-on electrical equipment, such as mobile telephones, two-way radios, stereo systems, and car alarm systems.

Mazda assumes no responsibility for death, injury, or expenses that may result from the installation of add-on non-genuine parts or accessories.

Uniform Tire Quality Grading System (UTQGS)

This information relates to the tire grading system developed by the U.S. National Highway Traffic Safety Administration for grading tires by tread wear, traction, and temperature performance.

■ Tread Wear

The tread wear grade is a comparative rating based on the wear rate of the tire when tested under controlled conditions on a specified government test course. For example, a tire graded 150 would wear one-and-a-half times as well on the government course as a tire graded 100.

The relative performance of tires depends upon the actual conditions of their use, however, and may depart significantly from the norm because of variations in driving habits, service practices and differences in road characteristics and climate.

■ Traction—AA, A, B, C

The traction grades, from highest to lowest, are AA, A, B, and C. These

grades represent the tire's ability to stop on wet pavement as measured under controlled conditions on specified government test surfaces of asphalt and concrete. A tire marked C may have poor traction performance.

WARNING:

The traction grade assigned to this tire is based on braking (straight ahead) traction tests and does not include acceleration cornering (turning), hydroplaning, or peak traction characteristics.

■ Temperature—A, B, C

The temperature grades are A (the highest), B, and C, represent the tire's resistance to the generation of heat and its ability to dissipate heat when tested under controlled conditions on a specified indoor laboratory test wheel. Sustained high temperature can cause the material of the tire to degenerate and reduce tire life, and excessive temperatures can lead to sudden tire failure.

Grade C corresponds to a level of performance which all passenger vehicle tires must meet under the Federal Motor Vehicle Safety Standard No. 109. Grades B and A represent higher levels of performance on the laboratory test wheel than the minimum required by law.

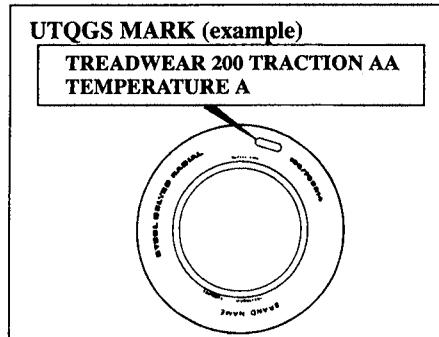
WARNING:

The temperature grade for this tire is established for a tire that is properly inflated and not overloaded. Excessive speed, underinflation, or excessive loading, either separately or in combination, can cause heat buildup and possible tire failure.

These grades will be added to the sidewalls of passenger vehicle tires over the next several years according to a schedule established by the NHTSA and the tire manufacturers.

The grade of tires available as standard or optional equipment on Mazda vehicle may vary with respect to grade.

ALL PASSENGER VEHICLE TIRES
MUST CONFORM TO THESE
GRADES AND TO ALL OTHER
FEDERAL TIRE-SAFETY
REQUIREMENTS.



Uniform Tire Quality Grading

Quality grades can be found where applicable on the tire sidewall between tread shoulder and maximum section width. For example:

**Treadwear 200 Traction AA
Temperature A**

Reporting Safety Defects

If you believe that your vehicle has a defect which could cause a crash or could cause injury or death, you should immediately inform the National Highway Traffic Safety Administration (NHTSA) in addition to notifying Mazda Motor Corporation (Your Mazda Importer/Distributor).

If NHTSA receives similar complaints, it may open an investigation, and if it finds that a safety defect exists in a group of vehicles, it may order a recall and remedy campaign. However, NHTSA cannot become involved in individual problems between you, your dealer, or Mazda Motor Corporation (Your Mazda Importer/Distributor).

To contact NHTSA, you may either call the Auto Safety Hotline toll-free at 1 (800) 424-9393 (or 366-0123 in Washington, D.C. area) or write to: NHTSA, U.S. Department of Transportation, Washington, D.C. 20590. You can also obtain other information about motor vehicle safety from the Hotline.

(Note)

If you live in the U.S.A., all correspondence to Mazda Motor Corporation should be forwarded to:

Mazda North American Operations
7755, Irvine Center Drive
Irvine, California 92618-2922
P.O. Box 19734
Irvine, CA 92623-9734
Customer Assistance Center
or toll free at 1 (800) 222-5500

If you live outside of the U.S.A., please contact the nearest Mazda Distributor shown on page 9-5 in this booklet.

Service Publications

Factory-authorized Mazda service publications are available for owners who wish to do some of their own maintenance and repair.

When requesting any of our publications through an Authorized Mazda Dealer, refer to the chart below.

If they don't have what you need in stock, they can order it for you.

PUBLICATION ORDER NUMBER	PUBLICATION DESCRIPTION
9999 95 042B 01	2001 WORKSHOP MANUAL (English)
9999 95 026G 01	2001 WIRING DIAGRAM (English)
9999 95 031C 01 (Except Puerto Rico)	2001 OWNER'S MANUAL

WORKSHOP MANUAL:

Covers recommended maintenance and repair procedures of the drive train, body and chassis.

WIRING DIAGRAM:

Provides electrical schematics as well as component location for the entire electrical system.

OWNER'S MANUAL:

This booklet contains information regarding the proper care and operation of your vehicle. This is not a technician's manual.

10

Specifications

Lubricant Quality	10- 2
Dimensions	10- 2
Weights	10- 2
Engine	10- 3
Electrical System	10- 3
Capacities	10- 3
Air Conditioner	10- 4
Tires	10- 4
Light Bulbs	10- 4

Specifications

Lubricant Quality

Lubricant	Classification	
Engine oil*	API Service	ILSAC
	SG (Energy Conserving II)	—
	SH (Energy Conserving II)	GF-I
	SJ	GF-II
Manual transmission oil	Any temperature API Service GL-4 or GL-5 (SAE 75W-90) Above 10°C (50°F) API Service GL-4 or GL-5 (SAE 80W-90)	
Automatic transmission fluid	ATF M-III or equivalent (e.g. Dexron® II)	
Rear differential oil	API Service GL-5 (SAE 90)	
Power steering fluid	ATF M-III or equivalent (e.g. Dexron® II)	
Brake/clutch fluid	SAE J1703 or FMVSS116 DOT-3	

*1 Refer to the recommended SAE viscosity numbers on page 8-12.

Dimensions

Unit: mm (in)

Overall length	3,945 (155.3)
Overall width	1,678 (66.0)
Overall height	1,228 (48.4)
Front tread	1,415 (55.7)
Rear tread	1,440 (56.7)
Wheelbase	2,265 (89.2)

Weights

Unit: kg (lb)

GVWR		1,335 (2,943)
GAWR	Front	685 (1,570)
	Rear	670 (1,477)

GVWR: Gross Vehicle Weight Rating

GAWR: Gross Axle Weight Rating

Engine

Type	DOHC-16V in-line, 4-cylinder
Bore × Stroke	83 × 85mm (3.3 × 3.4 in)
Displacement	1,840 ml (1,840 cc, 112.2 cu in)
Compression ratio	10.0 : 1

Electrical System

Battery	Maintenance-free, 12V—32AH / 5HR	
Alternator	12V—80 A	
Starter	12V—1.0 kW	
Spark-plug number	NGK	BKR5E11, BKR6E11
	DENSO	K16PR-U11, K20PR-U11
Spark-plug gap	1.0—1.1 mm (0.039—0.043 in)	

Capacities (Approximate Quantities)

Item		Unit		
		L	US qt	Imp qt
Engine oil	with oil filter replacement	3.8	4.0	3.3
	without oil filter replacement	3.6	3.8	3.2
Coolant		6.0	6.3	5.3
Manual transmission oil	5-Speed transmission	2.0	2.1	1.8
	6-Speed transmission	1.8	1.9	1.6
Automatic transmission fluid		6.7	7.1	5.9
Rear axle oil		1.0	1.1	0.9
Fuel tank		L	US gal	Imp gal
		48	12.7	10.6

Check oil and fluid levels with dipsticks or reservoir gauges.

Specifications

Air Conditioner

Gas complies with SAE J639	R134a
Maximum operating charge	0.4 kg (14.1 oz)

Tires

Item	Tires		
	Front	Rear	Temporary spare
Inflation pressure kPa (kgf/cm ² , psi)	180 (1.8, 26)	180 (1.8, 26)	420 (4.2, 60)
Size	195/50 R15 82V		T115/70 D14
	205/45 R16 83W		T105/70 D15

Light Bulbs

Light bulb		Wattage	Bulb trade number
Headlights	High beam (HB3)	60	9005
	Low beam (HB4)	51	9006
Front turn-signal/Parking lights		27/8	1157NA
Fog lights*		55	(H1)
Side marker lights		3.8	194
Rear turn-signal lights		21	—
Brake lights/Taillights		21/5	—
High-mount brake light		21	—
Back-up lights		21	—
License plate lights		5	3652
Interior light		8	—

Fuses Refer to page 6-9



Index

A	Page	B	Page	C	Page
Add-On Non-Genuine Parts and Accessories	9-7	Battery	8-28	Capacities	10-3
Air Bag Restraint System	2-16	Charging system warning light	5-28	Cassette Tape Player	5-57
Warning light	5-31	Jump-starting	6-4	Center Console	5-39
Aluminum Wheel Maintenance	7-8	Before Driving		Chains	4-10
Antenna	5-104	After getting in	4-6	Changing a Flat Tire	6-15
Antilock Brake System (ABS)	5-15	Before getting in	4-6	Changing Coolant	8-17
Warning light	5-30	Body Lubrication	8-24	Changing the Oil	8-13
Ashtray	5-38	Brakes		Charging System Warning Light	5-28
Audio System	5-57, 5-87	Antilock brake system (ABS)	5-15	Check Engine Light	5-29
Automatic Transmission		Fluid level	8-18	Checking	
Driving tips	5-9	Foot brake	5-12	Automatic transmission fluid level	8-22
Fluid level	8-22	Pad wear indicator	5-13	Brake fluid level	8-18
Overdrive	5-10	Parking brake	5-14	Clutch fluid level	8-19
Shift-lock override	5-12	System warning light	5-27	Coolant level	8-15
Shift-lock system	5-11	Break-In Period	4-6	Engine oil level	8-13
Transmission ranges	5-8	Bright-Metal Maintenance	7-7	Power steering fluid level	8-21
		Bulb Replacement		Washer fluid level	8-24
		Headlight	8-35	Child Restraint, Precautions	2-11
		Rear	8-39	Child-Restraint System	2-12
		Bulb Replacement, Front, interior	8-38	Installing	2-13
				Cigarette Lighter	5-38

	Page		Page		Page
Cleaning		D		E	
Dashboard	7-11	Dashboard Illumination	5-26	Emergency Starting	
Lap/shoulder belt webbing	7-12	Dashboard Overview	1-3	Jump-starting	6-4
Upholstery and interior trim	7-11	Dashboard Precautions	7-11	Push-starting	6-6
Window interiors	7-12	Day/Night Mirror	3-24	Emission Control System	4-3
Climate Control System	5-42	Defroster		Engine Compartment Overview	8-11
Clutch Fluid Level	8-19	Rear window	5-37	Engine Coolant	
Compact Disc Changer	5-57	Detachable Hardtop		Adding coolant	8-15
Compact Disc Player	5-57, 5-87	Maintenance	7-10	Changing coolant	8-17
Convertible Top		Operation	3-35	Inspecting coolant level	8-15
Maintenance	7-9	Overview	3-34	Overheating	6-2
Operation	3-27	Door Locks		Engine Exhaust Gas	
Overview	3-26	Inside door lock	3-4	(Carbon Monoxide)	4-4
Coolant, Engine		Outside door lock	3-3	Engine Oil	
Adding	8-15	Doors	1-4	Changing engine oil and filter	8-13
Changing	8-17	Driving in Flooded Areas	4-11	Inspecting engine oil level	8-13
Inspecting	8-15			Recommended oil	8-12
Cruise Control	5-16			Engine Oil Pressure Gauge	5-25
Cup Holder	5-40			Engine Starting	5-3
Customer Assistance	9-2, 9-4			Exhaust (Carbon Monoxide)	4-4
Customer Information	9-1			Exterior Care	7-4

	Page		Page		Page
F		G		How to Minimize Environmental Paint	
Finish Damage	7-7	Gauges		Damage	7-2
Flasher, Hazard Warning	6-2	Engine oil pressure	5-25	Damage caused by bird dropping,	
Flat Tire	6-14	Fuel	5-24	insects, or tree sap	7-2
Fluids		Odometer and trip meter	5-22	Etching caused by acid rain or	
Automatic transmission	8-22	Speedometer	5-22	industrial fallout	7-2
Brake	8-18	Tachometer	5-24	Paint chipping	7-3
Clutch	8-19	Water temperature	5-24	Water marks	7-3
Power steering	8-21	Glove Box	5-39		
Washer	8-24			I	
Fog Lights	5-35			Ignition Key Reminder	5-31
Foot Brake	5-12	H		Ignition Switch Positions	5-2
Front Seat Belts	2-7	Halogen Bulb	8-35	Immobilizer System	3-17
Front Seats		Hazard Warning Flasher	6-2	Maintenance	3-18
Recline	2-3	Hazardous Driving	4-8	Modification and add-on equipment	3-19
Slide	2-2	Headlight Bulb Replacement	8-35	Operation	3-18
Front Seats (Manually Operated)		Headlights	5-33	Warning light	5-32
Recline	2-3	High-beam indicator light	5-31	In Case of Emergency	6-1
Slide	2-2	Hood Release	3-16	Indicator Lights	
Fuel Gauge	5-24	Horn	3-22	Cruise set	5-32
Fuel Requirements	4-2			Headlight high-beam	5-31
Fuel-Filler Cap	3-20			O/D (Overdrive) OFF	5-32
Fuel-Filler Lid	3-20				
Fuses	6-6				
Fuse panel description	6-9				
Replacement	6-6				

	Page
Inspecting	
Automatic transmission fluid level . . .	8-22
Brake fluid level	8-18
Clutch fluid level	8-19
Coolant level	8-15
Engine oil level	8-13
Power steering fluid level	8-21
Washer fluid level	8-24
Instrument Cluster	5-21
Interior Care	7-11
Interior Light	3-25
Interior Overview	1-2
J	
Jack and Lug Wrench	6-14
Jump-Starting	6-4
K	
Keyless Entry System	3-6
Maintenance	3-9
Transmitter	3-6
Keys	3-2

L

Label Information	4-12
Lane-Change Signals	5-34
Light, Interior	3-25
Lighter	5-38
Lights	
Fog	5-35
Headlights	5-33
On reminder	5-31
Locking Lug Nuts	6-20
Lug Nuts, Locking	6-20
Lug Wrench	6-14
Luggage Compartment	1-5

M

Maintaining the Air Filter	8-25
Maintaining the Finish	7-4
Maintaining Wiper Blades	8-26
Maintenance	8-1
Introduction	8-2
Owner	8-9
Scheduled	8-3

Page

Manual Transmission	
Operation	5-5
Recommendations for shifting	5-6
Shift pattern	5-5
Mesh Pocket	5-42
Mirrors	
Outside mirrors	3-22
Rearview mirror (day/night)	3-24
Vanity	5-41
Money-Saving Suggestions	4-7
O	
Odometer and Trip Meter	5-22
Outside Mirrors	3-22
Outside the United States and Canada . . .	9-6
Overheating	6-2
Overloading	4-11
Owner Maintenance	
Precautions	8-10
Schedule	8-9

	Page		Page		Page
P		Replacing		Snow Tires	4-10
Paint Damage	7-2	Bulb (rear)	8-39	Spare Tire	6-21, 8-34
Damage caused by bird droppings, insects, or tree sap	7-2	Bulb (front, interior)	8-38	Special Driving Conditions	
Etching caused by acid rain or industrial fallout	7-2	Headlight bulb	8-35	Driving in flooded areas	4-11
Water marks	7-3	Tire	8-33	Hazardous driving	4-8
Parking Brake	5-14	Wheel	8-35	Rocking the vehicle	4-8
Power Control Mirror	3-23	Windshield wiper blades	8-26	Winter driving	4-9
Power Door Locks	3-5	Rocking the Vehicle	4-8	Specifications	10-1
Power Steering	5-16			Air conditioner	10-4
Power Steering Fluid Level	8-21	S		Capacities	10-3
Power Windows	3-11	Safety Certification	5-55	Dimensions	10-2
Pregnant Women and Persons with Serious Medical Conditions	2-10	Scheduled Maintenance	8-3	Electrical system	10-3
Push-Starting	6-6	Seat Belt		Engine	10-3
		Extender	2-9	Light bulbs	10-4
		Front	2-7	Lubricant quality	10-2
		Front seat belt pretensioner and load limiting system	2-6	Tires	10-4
		Pregnant women, other medical conditions	2-10	Weights	10-2
		System	2-3	Speedometer	5-22
		Warning light/beep	5-28	Starting the Engine	5-3
		Seats		Storage Compartments	5-39
		Recline	2-3	Sunvisors	5-41
		Slide	2-2		
		Service Publications	9-11		

	Page
Supplemental Restraint System	2-16
Air bag activation	2-25
Air bag and children	2-17
Constant monitoring	2-28
How the air bag work	2-21
Limitations to air bag activation	2-26
Maintenance	2-29
Non-activation of air bags	2-27
Passenger-side air bag deactivation switch	2-18
System description	2-17
Warning light	5-31

T

Tachometer	5-24
Temporary Spare Tire	8-34
Tires	
Chains	4-10
Flat tire	6-14
Inflation pressure	8-31
Replacement	8-33
Rotation	8-32
Snow tires	4-10
Spare	8-34
Spare tire	6-21

	Page
Towing	6-12
Trailer Towing	4-11
Transmission Ranges, Automatic	5-8
Transmission, Automatic	5-7
Transmission, Manual	5-5
Trip Meter	5-22
Trip meter	5-23
Trunk Lid	
Key-operated trunk	3-12
Remote trunk lid release	3-12
Remote trunk lid release lock-out	3-13
Trunk Release Handle	3-14
Turn and Lane-Change Signals	5-34
Turn Signal	5-34

U

Underbody Maintenance	7-7
Uniform Tire Quality Grading System (UTQGS)	
Temperature—A, B, C	9-8
Traction—AA, A, B, C	9-8
Tread wear	9-8

V

Vanity Mirror	5-41
Vehicle Information Labels	4-12

W

Warning Lights/Beeps	
Antilock brake system (ABS)	5-30
Brake system	5-27
Charging system	5-28
Check engine	5-29
Ignition key reminder	5-31
Immobilizer system	5-32
Lights-on reminder	5-31
Seat belt	5-28
Supplemental restraint system	5-31
Warning lights inspection	5-26
Warranties for Your Mazda	9-6
Washing	7-4
Water Temperature Gauge	5-24
Waxing	7-6
Wheel Replacement	8-35
Windblocker	5-41
Windshield Washer	5-36
Windshield Washer Fluid Level	8-24

Index

	Page
Windshield Wiper Blades	
Replacement	8-26
Windshield Wipers	5-35
Winter Driving	4-9
Wiper Blade	
Maintaining	8-26
Windshield	8-26